

**SUBMITTAL
DATA**



SCHWANK ELECTRIC
INFRA-RED HEATERS
ES & ESD SERIES
ELECTRIC SCHWANK

PROJECT:	
ENGINEER:	
CONTRACTOR:	
DISTRIBUTOR:	
SCHWANK MODEL #:	<input type="checkbox"/> ES1533 <input type="checkbox"/> ES2039 <input type="checkbox"/> ES2539 <input type="checkbox"/> ES3061 <input type="checkbox"/> ES4061 <input type="checkbox"/> ESD3033 <input type="checkbox"/> ESD4039 <input type="checkbox"/> ESD5039 <input type="checkbox"/> ESD6061
VOLTAGE	<input type="checkbox"/> 120V <input type="checkbox"/> 208V <input type="checkbox"/> 240V <input type="checkbox"/> 277V <input type="checkbox"/> 480V
APPROVED BY:	
DATE:	
APPROVAL #:	



NOTICE:

Schwank reserves the right to make changes to equipment and specifications without obligation or notification.

This publication, or parts thereof, may not be reproduced in any form, without prior written consent from Schwank. Unauthorized use or distribution of this publication is strictly prohibited.

Schwank
5285 Bradco Boulevard,
Mississauga, Ontario,
L4W 2A6

2 Schwank Way
Waynesboro, Georgia,
USA, 30830

Customer and Technical Services

Phone: 1-877-446-3727

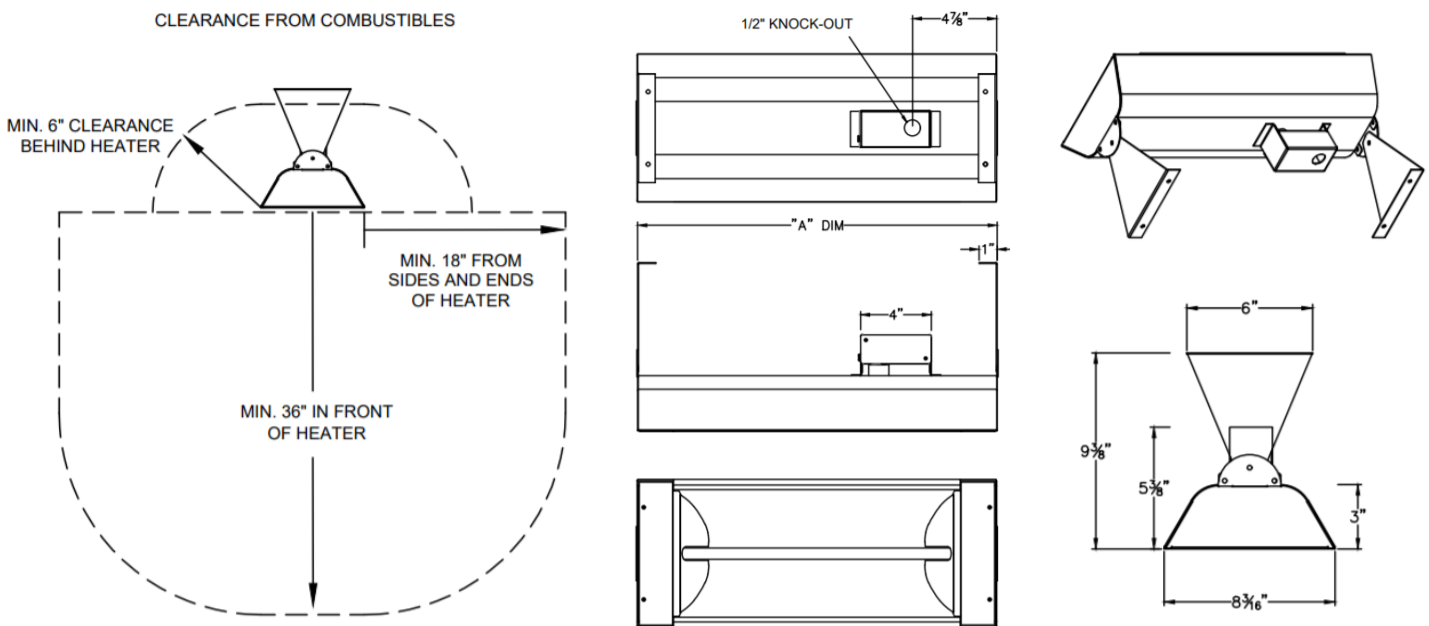
Fax : 1-866-361-0523

e-mail: csr@schwankgroup.com

www.schwankgroup.com

DIAGRAMS AND SPECIFICATIONS:

MODEL NUMBER	A - LENGTH (in)	A - LENGTH (cm)	WATTS	VOLTS	AMPS	BTUH
ES-1533	33"	83.8	1500	120	12.5	5,118
ES-1533	33"	83.8	1500	208	7	5,118
ES-1533	33"	83.8	1500	240	6.3	5,118
ES-2039	39"	99	2000	208	10	6,824
ES-2039	39"	99	2000	240	8.3	6,824
ES-2039	39"	99	2000	277	7	6,824
ES-2039	39"	99	2000	480	4	6,824
ES-2539	39"	99	2500	208	12	8,530
ES-2539	39"	99	2500	240	10.4	8,530
ES-2539	39"	99	2500	277	9	8,530
ES-2539	39"	99	2500	480	5	8,530
ESD-3033	33"	83.8	3000	208	14	10,236
ESD-3033	33"	83.8	3000	240	12.5	10,236
ESD-3033	33"	83.8	3000	277	11	10,236
ESD-3033	33"	83.8	3000	480	6	10,236
ES-3061	61.25"	155.5	3000	208	19	10,236
ES-3061	61.25"	155.5	3000	240	16.7	10,236
ES-3061	61.25"	155.5	3000	277	14	10,236
ES-3061	61.25"	155.5	3000	480	8.3	10,236
ESD-4039	39"	99	4000	208	14	13,649
ESD-4039	39"	99	4000	240	12.5	13,649
ESD-4039	39"	99	4000	277	11	13,649
ESD-4039	39"	99	4000	480	6	13,649
ES-4061	61.25"	155.5	4000	208	19	13,649
ES-4061	61.25"	155.5	4000	240	16.7	13,649
ES-4061	61.25"	155.5	4000	277	14	13,649
ES-4061	61.25"	155.5	4000	480	8.3	13,649
ESD-5039	39"	99	5000	208	24	17,061
ESD-5039	39"	99	5000	240	20.8	17,061
ESD-5039	39"	99	5000	277	18	17,061
ESD-5039	39"	99	5000	480	10.4	17,061
ESD-6061	61.25"	155.5	6000	208	28.8	20,473
ESD-6061	61.25"	155.5	6000	240	25	20,473
ESD-6061	61.25"	155.5	6000	277	21.7	20,473
ESD-6061	61.25"	155.5	6000	480	12.5	20,473



NOTES:

electricSchwank heaters are furnished with wall/ceiling mount swivel brackets. These brackets may be discarded when the heater is hung with chains, or other custom bracketing.

See sales literature and price list for full listing of models, descriptions, amperages, and voltages. At times, especially when the mounting height might be quite low, an increased number of smaller heaters can help prevent overheating.

Heaters up to 15 AMPS can be controlled with a simple INF controller. This low cost controller, which is actually an infinite switch, gently pulses the heat ON and OFF at regular intervals when not on full power.

Dual Element Heaters can be wired with our Duplex/Stack Switch, which enables the ability to turn ON and OFF each element independently, providing for half power/full power capabilities.

For ideal comfort heat, the best solution is to heat from two sides rather than from just one side. However, there are times when this is not practical.

Coverage areas are approximate dimensions and will vary depending on prevailing and personal comfort levels.

Indoor or well-protected environments will generally exceed average coverage. Heaters can provide less than average coverage in extremely cold/windy conditions.

AVAILABLE CONTROLS & OPTIONS:

	DESCRIPTION	VOLTS	AMPS	SHIP WGT. (LBS)	PART NUMBER
	Single - Flush Mount c/w S/S Wall Plate and Deep Gang Box	240V	15 Max	2	JM-4200-XX
	Dual - Flush Mount c/w S/S Wall Plate and Deep Gang Box	240V	15 Max	2	JM-4205-XX
	Single - Flush Mount c/w Weatherproof Cover	240V	15 Max	2	JM-4210-XX
	Dual - Flush Mount c/w Weatherproof Cover	240V	15 Max	3	JM-4215-XX
	Single - Surface Mount c/w Weatherproof Gang Box and Cover	240V	15 Max	2	JM-4220-XX
	Dual - Surface Mount c/w Weatherproof Gang Box and Cover	240V	15 Max	3	JM-4225-XX
	Single Duplex - Flush Mount c/w S/S Wall Plate and Gang Box	240V	20 Per Pole	2	JM-4300-XX
	Dual Duplex - Flush Mount c/w S/S Wall Plate and Deep Box	240V	20 Per Pole	2	JM-4305-XX
	Single Duplex - Flush Mount c/w Weatherproof Cover	240V	20 Per Pole	2	JM-4310-XX
	Dual Duplex - Flush Mount c/w Weatherproof Cover	240V	20 Per Pole	2	JM-4315-XX
	Single Duplex - Surface Mount c/w Weatherproof Box and Cover	240V	20 Per Pole	2	JM-4320-XX
	Dual Duplex - Surface Mount c/w Weatherproof Box and Cover	240V	20 Per Pole	3	JM-4325-XX
	Single - Flush Mount c/w S/S Wall Plate and Deep Gang Box	120/277V	20 Max	2	JM-4400-XX
	Dual - Flush Mount c/w S/S Wall Plate and Deep Gang Box	120/277V	20 Max	2	JM-4405-XX
	Single - Flush Mount c/w Weatherproof Cover	120/277V	20 Max	2	JM-4410-XX
	Dual - Flush Mount c/w Weatherproof Cover	120/277V	20 Max	2	JM-4415-XX
	Single - Surface Mount c/w Weatherproof Gang Box and Cover	120/277V	20 Max	2	JM-4420-XX
	Dual - Surface Mount c/w Weatherproof Gang Box and Cover	120/277V	20 Max	3	JM-4425-XX
	Solid Stat Control Panel	Call for more details			
	39" Flush mount frame S/S			18	JE-0520-39
	61.25" Flush mount frame S/S			24	JE-0520-61
	Black Custom Color				JE-0500-BK
	White Custom Color				JE-0500-WH
	Beige Custom Color				JE-0500-BE
	Mineral Bronze Custom Colour				JE-0500-BR
	Almond Custom Colour				JE-0500-AL
	Biscuit Custom Colour				JE-0500-BS
	Other Custom Colour	Call for more details			