



Submittal Data

duraSchwank SPW Series

Outdoor Car Wash & Harsh Environment Low-Intensity Single-Stage Gas-Fired Infrared Tube Heater

Project

Schwank models #

Fuel

Date submitted

Features

Approvals / Certificates

UL Certification.

ANSI Z83.26 / CSA 2.37 Standard for gas-fired Outdoor Infrared Patio Heaters.

ANSI Z83.20 / CSA 2.34 Standard for Gas-Fired Low-Intensity Infrared Heaters.

Burner/Motor

Powder Coated Water Resistant.

Complete with operation status indicator lights.

Potted direct spark ignition.

Housing: The "Clamshell Design" provides access from the 2 sides, end, and bottom.

Power

4' Length 16/3 electrical supply cord with 3 pin grounded plug.

120V/1PH

Safety Switch

Two separate air pressure switches sense adequate combustion air and blocked flue.

Gas connection

Natural gas: 3.5" W.C. Manifold.

Propane: 10" W.C. Manifold.

Canada: Type 1 hose gas connector is included with each burner kit.

1/2" X 30" 45,000 TO 130,000 AND
3/4" X 30" 150,000 TO 200,000

USA: Flexible gas connector is included with each burner kit.

1/2" X 24" 45,000 TO 130,000 AND
3/4" X 24" = 150,000 TO 200,000

Reflector

Aluminized steel.

Reflectors are closed at the start and end of each straight run of tubes by end plate hangers.

Controls/Thermostat

Factory ready for 24VAC or 120VAC control. On/Off switch control.

Moisture Proof Nema 4X Thermostat.

24V Digital Thermostat. Note: Multiple Heaters Per 24V Thermostat Require Relay Control Center Kit.

ThermoControlPlus.



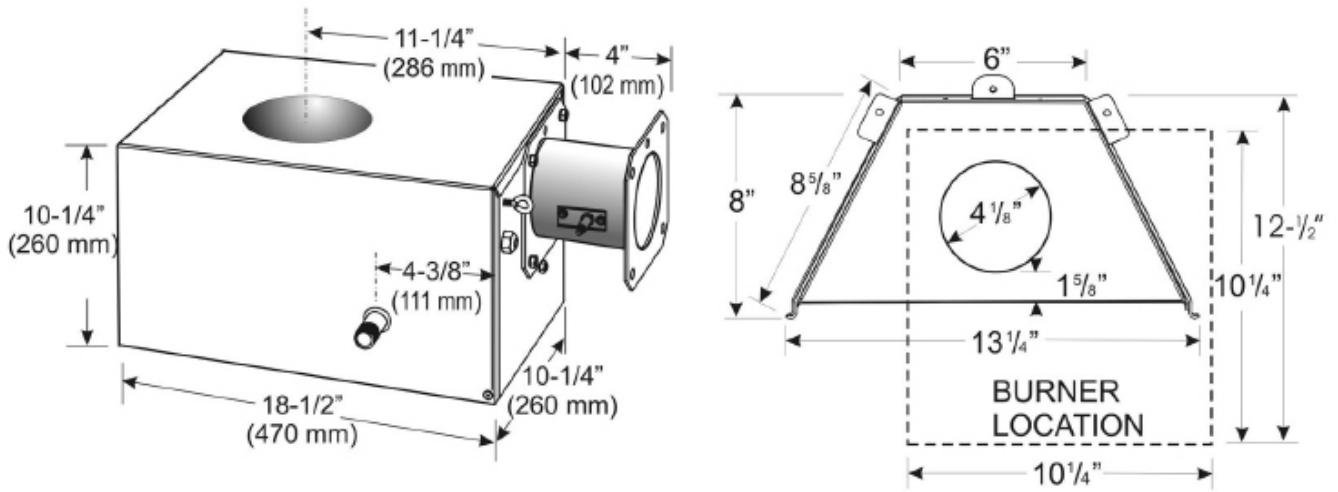
Read the
I&O Manual

Performance

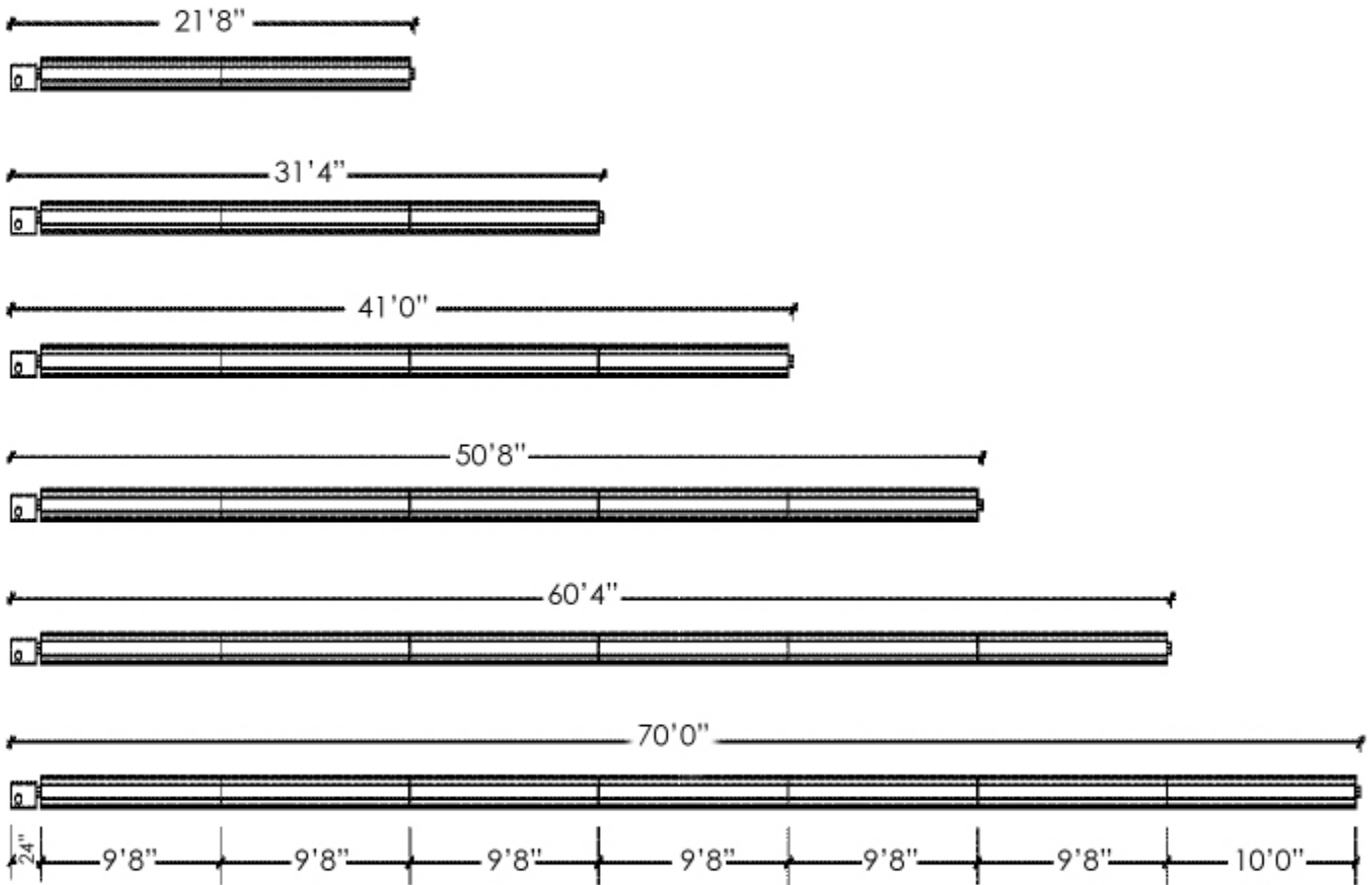
| Tag | Qty | Model | Total Heater Length | Input (BTU/hr) | Turbulator Length | Line Pressure NG/LP | Manifold Pressure NG/LP | Flue & Air Vents | Shipping Weight (lbs.) |
|-----|-----|------------|---------------------|----------------|-------------------|-------------------------|-------------------------|------------------|------------------------|
| | | SPW-200-70 | 70' 0" | | 6' | | | | 324 Lbs |
| | | SPW-200-60 | 60' 4" | 200,000 | 6' | | | | 282 Lbs |
| | | SPW-200-50 | 50' 8" | | 10' | | | | 239 Lbs |
| | | SPW-175-70 | 70' 0" | | 10' | | | | 324 Lbs |
| | | SPW-175-60 | 60' 4" | 175,000 | 10' | | | | 282 Lbs |
| | | SPW-175-50 | 50' 8" | | 10' | | | | 239 Lbs |
| | | SPW-155-60 | 60' 4" | | 2' | Line minimum: | | | 282 Lbs |
| | | SPW-155-50 | 50' 8" | 150,000 | 2' | | | | 239 Lbs |
| | | SPW-155-40 | 41' 0" | | 12' | 5" W.C NG 11" W.C LP | 3.5" W.C NG | | 197 Lbs |
| | | SPW-130-50 | 50' 8" | | 2' | | | 4" | 239 Lbs |
| | | SPW-130-40 | 41' 0" | 125,000 | 12' | | 10" W.C LP | | 197 Lbs |
| | | SPW-130-30 | 31' 4" | | 13' | Line Maximum: | | | 154 Lbs |
| | | SPW-110-50 | 50' 8" | | 2' | | | | 239 Lbs |
| | | SPW-110-40 | 41' 0" | 110,000 | 12' | NG or LP 14" W.C | | | 197 Lbs |
| | | SPW-110-30 | 31' 4" | | 13' | | | | 154 Lbs |
| | | SPW-80-40 | 41' 0" | | 12' | | | | 197 Lbs |
| | | SPW-80-30 | 31' 4" | 80,000 | 8' | | | | 154 Lbs |
| | | SPW-80-20 | 21' 8" | | 14' | | | | 111 Lbs |
| | | SPW-60-30 | 31' 4" | | 8' | | | | 154 Lbs |
| | | SPW-60-20 | 21' 8" | 60,000 | 14' | | | | 111 Lbs |
| | | SPW-45-20 | 21' 8" | 45,000 | 14' | | | | 111 Lbs |

For all the heaters above; Gas Inlet is 1/2" NPT. For heaters above 150,000-200,000 Btu/hr; Gas Inlet is 3/4 NPT. Electrical is 120V-60Hz, 145 VA.

Dimensions

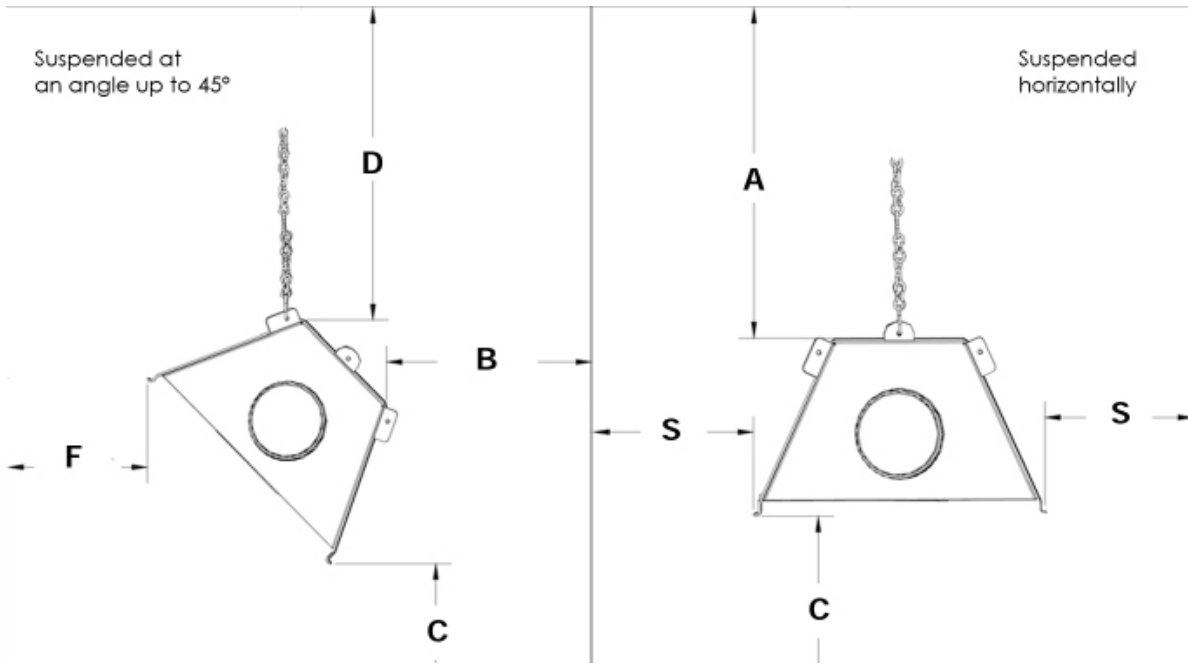


Side-view of systems:



Clearance to Combustibles:

The clearance to combustible material represents the minimum distance that must be maintained between heater and a nearby combustible surface. The stated clearance to combustibles represents a surface temperature of 90°F (50°C) above room temperature. Some materials such as awnings or plastic may require higher clearances. It is the installer's responsibility to ensure that building materials with a low heat tolerance which may degrade at lower temperature are protected to prevent degradation.



SPW Minimum Clearances to Combustibles

MODEL

| SPW Input Rate (BTU/hr) | SUSPENDED AT AN ANGLE UP TO 45 DEGREES | | | | SUSPENDED HORIZONTALLY | | |
|-------------------------|--|----|-----|-----|------------------------|------|-----|
| Inches | D | B | F | C | A | S | C |
| SPW-200 | 13" | 6" | 74" | 70" | 14" | 44" | 76" |
| SPW-175 | 12" | 6" | 72" | 68" | 13" | 42" | 74" |
| SPW-155 | 5.5" | 1" | 64" | 64" | 3.5" | 22" | 70" |
| SPW-130 | 4.5" | 1" | 60" | 60" | 3.3" | 21" | 65" |
| SPW-110 | 3.5" | 1" | 54" | 54" | 2" | 19" | 60" |
| SPW-80 | 3" | 1" | 23" | 38" | 1.75" | 6" | 38" |
| SPW-60 | 2.5" | 1" | 17" | 34" | 1.5" | 5.5" | 34" |
| SPW-45 | 2.75" | 1" | 24" | 32" | 2.25" | 7" | 32" |

Controls & Control Accessories

| Tag | Qty | Item Number | Description |
|-----|-----|-------------|---|
| | | JM-0504-TKX | Thermocontrol Plus Controller (See Separate Detailed Thermocontrol Plus Submittal Document) |
| | | JS-0570-XX | Moisture Proof Nema 4X Thermostat Single-Stage |
| | | JS-0568-CC | 24V Relay Switch. Control Multiple Tube Heaters in a common zone with one 24V Thermostat (wired to 1st heater) |
| | | JM-0408-XX | ACPT- 8. Up to 8 heaters (Arena control panel) |
| | | JM-0412-XX | ACPT-12. Up to 12 heaters (Arena control panel) |
| | | JM-0416-XX | ACPT-16. Up to 16 heaters (Arena control panel) |
| | | JM-0204-NT | PCP-4. Up to 4 heaters (Patio control panel) |
| | | JM-0208-NT | PCP-8. Up to 8 heaters (Patio control panel) |
| | | JM-0212-NT | PCP-12. Up to 12 heaters (Patio control panel) |
| | | JP-1236-RK | Remote Control Receiver Kit installs in burner. REQUIRED - Order one for each heater - High-intensity or Tube type |
| | | JP-1236-HS | Hand Set Control (four On/Off buttons): REQUIRED - Order one for every four zones: a zone is 1 or more heaters - Control up to 4 individual heaters or up to 4 zones |
| | | JP-1236-KT | Wireless Remote Control Keypad Transmitter: OPTIONAL - JP-1236-HS Required for master code programming - Control up to four patio zones - 3 Zones with unique 4 digit pin & 1 zone with direct push button - Weather resistant: Outdoor or indoor installation |

Additional Accessories

| Tag | Qty | Item Number | Description |
|-----|-----|--------------|--|
| | | JL-0800-GR-B | Gripple Express™. For indoor use only. No tools required for adjustment. Ready to use 10 ft cable length kit - loop one end. 100 lb work load. |
| | | JL-0800-XX | #2 Lion Chain. 115 lb work load - 200 ft roll. |
| | | JL-0800-SH | Safety Snap Hooks - 2". Package of 24 |
| | | JL-0800-SH-B | Safety Snap Hooks - 2". Package of 100 |
| | | JL-0798-SH | ""S' Hooks - 1 7/8". Quantity of 'S' hooks needed: JZ Series quantity required = ((tube length/10) x 2) + 4 : ie: SPW-JZ x 40 ft = (40/10) x 2) +4 = 12 hooks" |
| | | JL-0798-CS | Clearance to combustible sign. Metal sign - 18" x 6" - 3/4" red lettering on white background |
| | | JS-0508-JZ | 90° Aluminized Steel Elbow & Reflector Cover Kit. Compatible with STS-JZ, STW-JZ, STWS & SPW-JZ tube heater models. Elbow can be installed right or left hand. Includes coupler, reflector cover, hanger plate. |
| | | JA-0528-XX | 4" horizontal Flue Vent Terminals. Fits single wall vent pipe - field crimp required to fit to double wall pipe. Use this termination cap by Schwank or use an approved High Wind termination cap as supplied by others. |
| | | JA-0514-XX | Common Flue Vent Tee Box Roof Termination: Use approved cap supplied by manufacturer of double-walled vent pipe. Not available in stainless steel. |
| | | JA-0516-AA | 4" x 8" Aluminized Steel Coupler with 2 x U-bolts. Optional Couplers for Vent Tee. ADD TWO optional tube couplers JA-0516-AA if desired for vent pipe connection to Tee. |
| | | TG-0010-KT | Tuxedo Grill Kit JZ Models ONLY Decorative 'Tuxedo' Grille Kit - 10 ft - Matte Black Grille |
| | | JA-0780-XX | Tube Protection Screen. STS-JZ, STW-JZ, SPW-JZ Models. 5 ft length - 1/2" x 1/2" galvanized screen. |
| | | JS-0509-KT | Reflector Side Extension. All models - 10" deep x 116" long c/w Qty 3 x 'S' hooks |

