

Submittal Data

# phantomSchwank STP Series

## Low-Intensity Two-Stage Gas-Fired Outdoor Infrared Tube Heater

Project

Schwank models #

Fuel

Date submitted

### Features

#### Approvals / Certificates

UL Certification.

Warranty; 10-year tube & burner cup, 3-year components.

#### Burner/Motor

Motor: 24VDC power for the high-efficiency ECM blower.

Housing: The bottom folds away, providing access from the bottom.

#### Transformer

120/24VAC; 20VA

#### Safety Switch

One Differential Pressure Switch Senses Adequate Combustion Air And Blocked Flue.

#### Electrical Cord

4' (1.2m) length 16/3 electrical supply cord with 3 pin grounded plug.

#### Gas connection included

USA: Flexible stainless steel gas connector required by code. 1/2" X 24". Order separately.

CANADA: Type 1 gas hose connector required by code. 1/2" X 30". Order separately.

#### Gas Valve

Honeywell 24 Volt Two-Stage.

Manifold pressure:

NG: 3.5" W.C. High/2.2" W.C. Low

LP: 10.0" W.C. High/5.0" W.C. Low

Line pressure:

NG: 5.0" — 14.0" W.C.

LP: 11.0" — 14.0" W.C.

#### Reflector

20 GA marine grade aluminum, with black powder coating finish. The aluminum reflector extends below the bottom of the tube surface.

#### Controls/Thermostat

- Smart Control App provides a wireless connection to the heater.
- Factory ready for 24VAC or 120VAC two-stage Line Voltage Thermostat.
- ThermoControlPlus.
- Schwank.ONE system control.



Read the I&O Manual

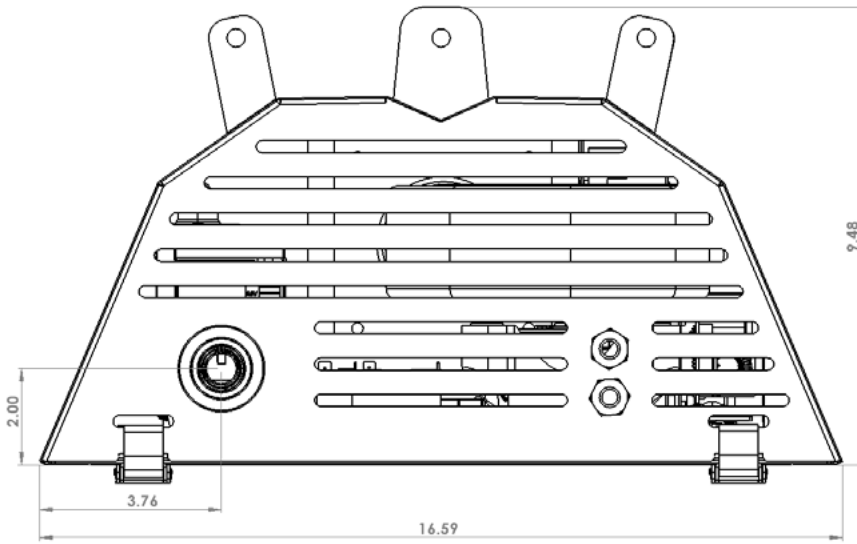
## Performance

Tag	Qty	Model	Fuel type	High-Fire Input (BTU/h)	Low-Fire Input (BTU/h)	Line Pressure inch w.c. min/max	Manifold Pressure inch w.c. min/max	Conversion kit part number	Total heater length	Material	Weight (lbs)
		STP-TA05-10-BN	NG	50,000	35,000	5.0 / 14.0	2.2 / 3.5	JS-0554-LL-TP	12'	Marine-Grade Aluminum	95
		STP-TA08-10-BN	NG	80,000	60,000	5.0 / 14.0	2.2 / 3.5	JS-0554-NL-TP	12'		96
		STP-TA11-15-BN	NG	115,000	80,000	5.0 / 14.0	2.2 / 3.5	JS-0554-PL-TP	17'		127

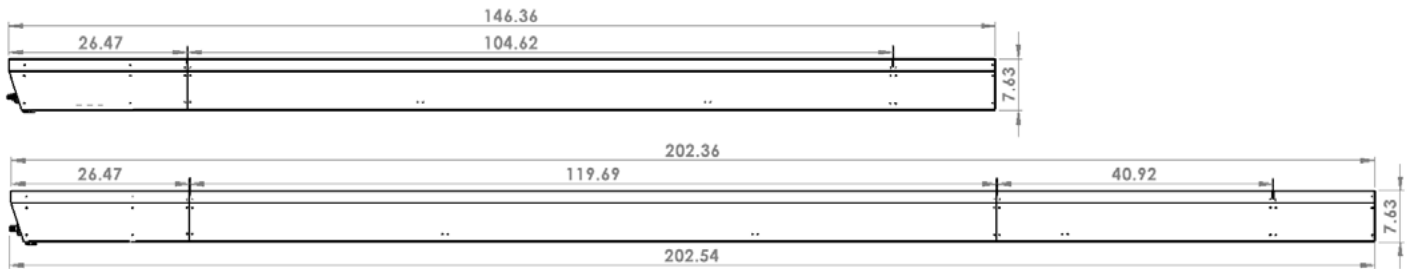
Note 1: NG model is offered standard for ordering. LP conversion kit is available to convert heater to LP model. LP model is NOT for ordering.

Note 2: Gas Inlet is 1/2" NPT & Electrical is 120V-60Hz, 145 VA.

## Dimensions

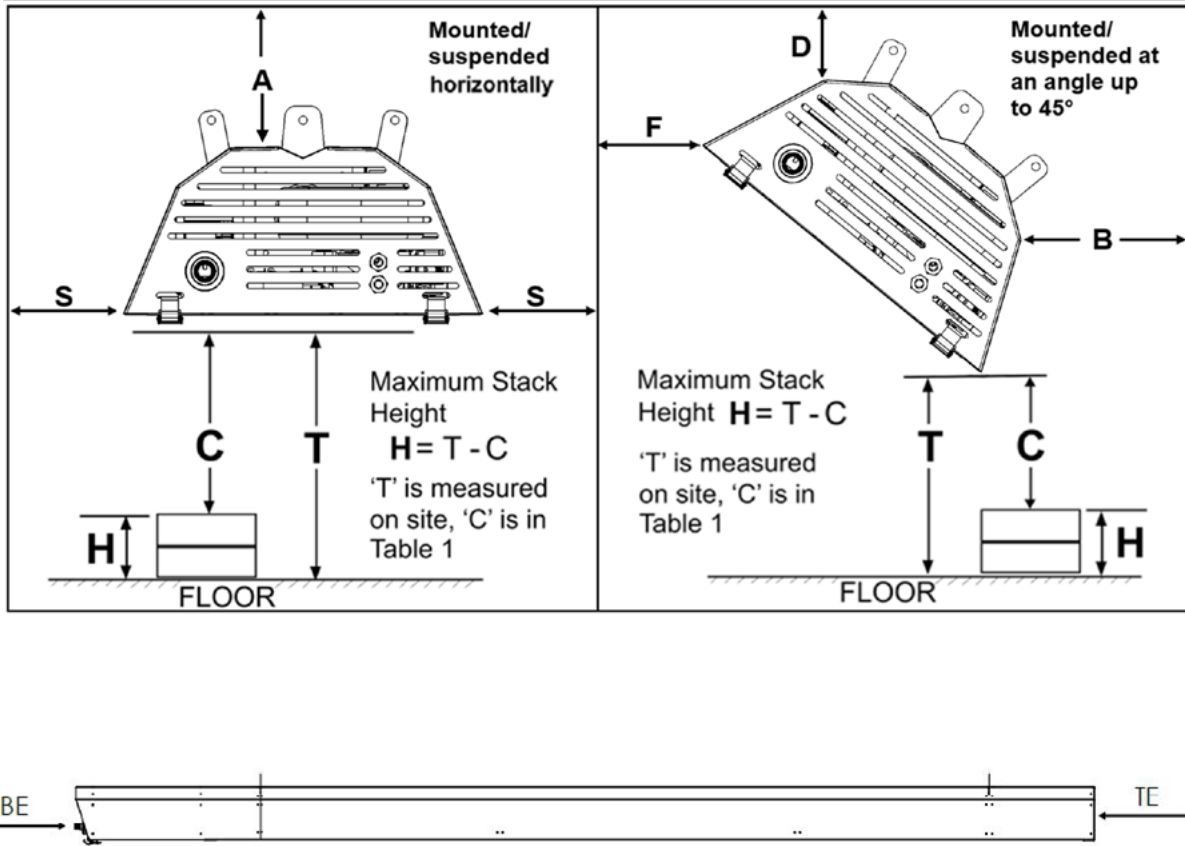


## Side-view of systems:



### Clearance to Combustibles:

The clearance to combustible material represents the minimum distance that must be maintained between the heater and a nearby combustible surface. The stated clearance to combustibles represents a surface temperature of 90°F (50°C) above room temperature. Some materials, such as awnings or plastic, may require higher clearances. It is the installer’s responsibility to ensure that building materials with a low heat tolerance, which may degrade at lower temperatures, are protected to prevent degradation.



**Table 1A: Minimum Clearances to Combustibles**

MODEL Input Rate (BTU/h)	SUSPENDED HORIZONTALLY				SUSPENDED AT AN ANGLE UP TO 45 DEGREES			BURNER-END	TUBE-END
	A	S	C	D	B	F	C	BE	TE
Inches									
50,000	4	20	42	4	3	40	44	24	48
80,000	5	24	62	5	3	54	60	24	48
115,000	5	26	4	5	3	62	70	24	48

## Controls & Control Accessories

Tag	Qty	Item Number	Description
		JM-0225-XX	Two-Stage Rotary Control
		JM-0601-XX	Schwank.One Controller - Single PLC (See Separate Detailed Schwank.ONE Submittal Document)
		JM-0504-TK-2	ThermoControl Plus 1 Kit - up to 2 two-stage zone
		JM-0504-TK-4	ThermoControl Plus 1 Kit - up to 4 two-stage zone
		JS-0569-DT	Two-Stage 24V Digital Thermostat
		JS-0569-DT-P	24V Digital Two-Stage Programmable Thermostat

## Additional Accessories

Tag	Qty	Item Number	Description
		JS-0554-LL-TP	Conversion Kit Two-Stage - 50/35 MBH - NG TO LP
		JS-0554-NL-TP	Conversion Kit Two-Stage - 80/60 MBH - NG TO LP
		JS-0554-PL-TP	Conversion Kit Two-Stage - 115/80 MBH - NG TO LP
		JS-0507-BA-K10	STP Ceiling Mounting Kit, 0 Degree, 10 ft tube
		JS-0507-BA-K15	STP Ceiling Mounting Kit, 0 Degree, 15 ft tube
		JS-0507-BB-K10	STP Mounting Kit, 30 Degree, 10 ft tube
		JS-0507-BB-K15	STP Mounting Kit, 30 Degree, 15 ft tube
		JS-0507-BC-K10	STP Mounting Kit, 45 Degree, 10 ft tube
		JS-0507-BC-K15	STP Mounting Kit, 45 Degree, 10 ft tube
		JL-0800-XX	200' Roll Lion Chain (115 Lb. Workload)
		JL-0800-SH-B	Safety Snap Hooks - 2" - Package Of 100
		JL-0800-SH	Safety Snap Hooks - 2" - Package Of 24
		JL-0798-SH	'S' Hooks - 1 7/8" - Package of 25
		JL-0800-GR-B	Gripple Express - 10' - Package Of 10 Hanging Cables (100 Lb Workload)
		JL-07980-CS	Clearance To Combustible Metal Sign - 18" X 6"
		JL-0771-RC	Outdoor-Approved Flexible Gas Connector Hose

## Additional Items

Tag	Qty	Part #	Description