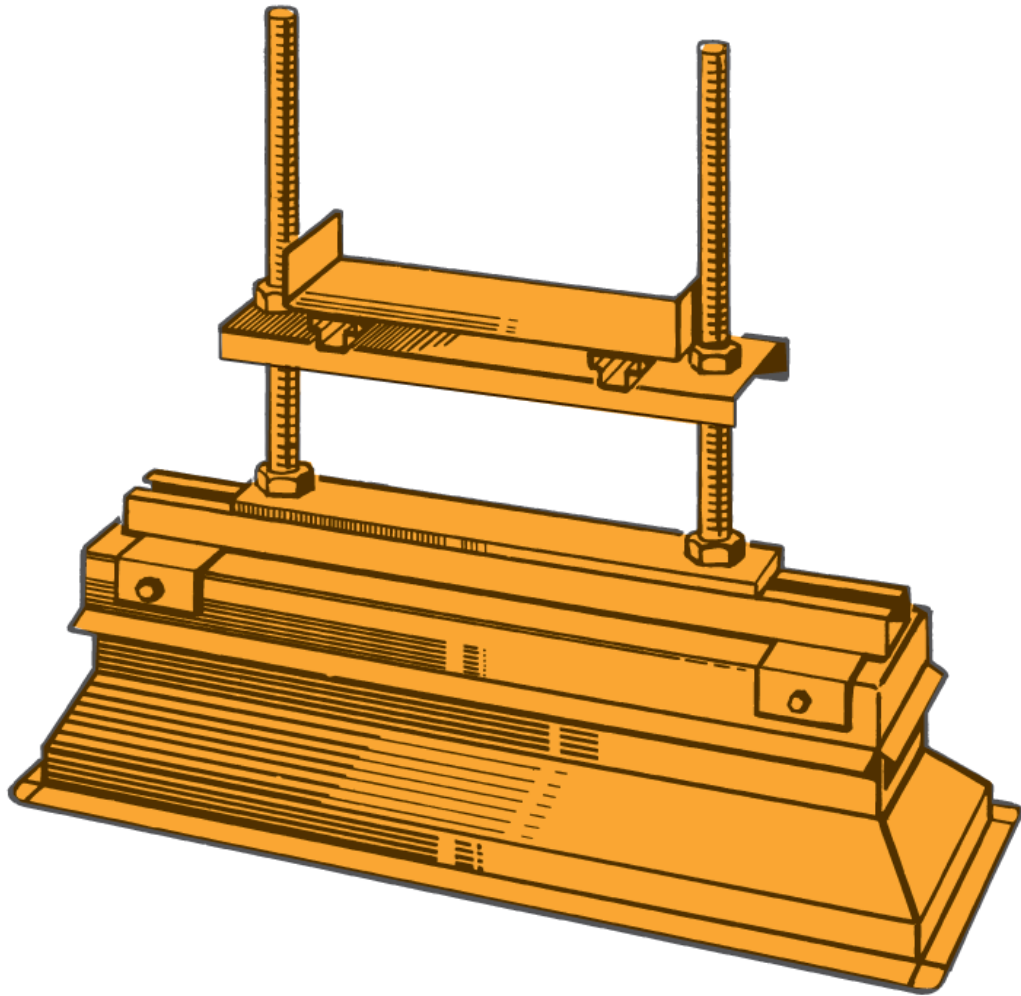




Duct Mounting Pedestals

Technical Product Information



ROOF PRODUCTS & SYSTEMS
Roof Curb Specialists



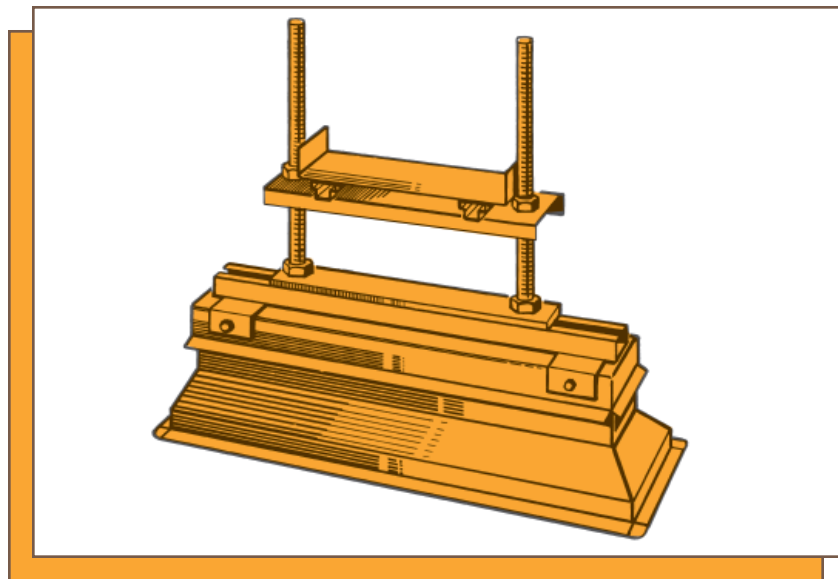
Duct Mounting Pedestals

Technical Product Information

The solution for supporting rooftop ductwork

RPS Duct Mounting Pedestals are the ultimate solution to mounting duct runs across a flat or pitched roof. Each RPS duct mounting pedestal incorporates an RPS Equipment Rail to assure proper support and a superior flashing base for securing the roofing termination. On top of the equipment rail, the duct slide assembly allows for duct movement due to expansion and contraction while assuring that the ductwork can be secured to the support. Additionally, the duct slide assembly allows for 12" vertical and horizontal adjustments to mount ductwork level and straight. Each duct mounting pedestal has a full line of features which allows for single to multi-duct mounting with a minimum of effort and a maximum of speed.

- **RPS EQUIPMENT RAIL** . . . The sure way of attaching roof flashing . . . allows proper structural support rather than on the roof surface where damage will occur.
- **GALVANIZED STEEL SLIDE CHANNEL** . . . Permits a smooth, unbroken, lateral adjustment the entire length of the channel . . . attached to "U" shaped mounting brackets and secured through the side of the equipment rail cap flashing into the underlying wood nailer with lag bolts.
- **CONTINUOUSLY THREADED GALVANIZED RODS** . . . Allows for height adjustment the full height of rods.
- **GALVANIZED STEEL DUCT SLIDE ASSEMBLY** . . . Automatically travels with vertical duct adjustment . . . allows installer to lay ductwork in a cradle and secure it at each support.
- **ALL SIZES** . . . Accommodates rectangular ductwork and round ductwork up to 84" wide (heavy duty, larger size assemblies also available- call RPS).
- **OPTIONAL FEATURES** . . . Longer equipment rails and slide channels, double slide channels, and multi-duct assembly combinations available to provide multi-duct mounting side-by-side and/or piggy-back on a single equipment rail.



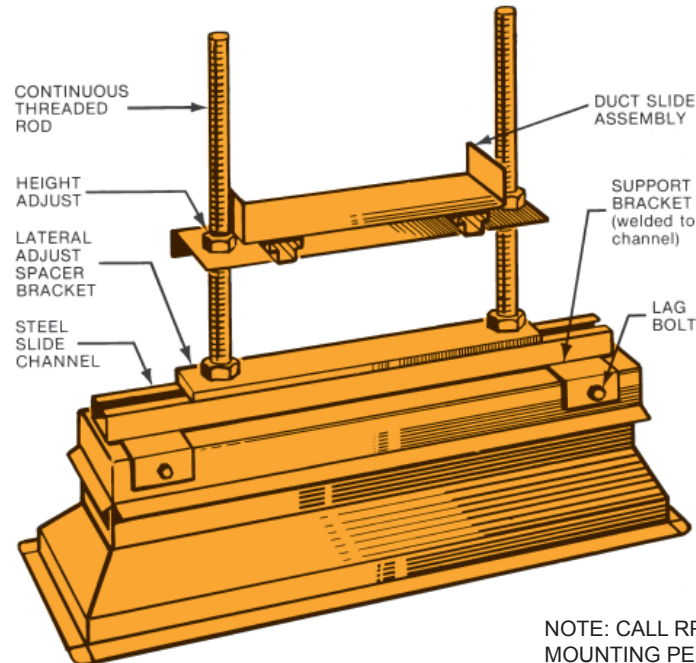


Duct Mounting Pedestals

Technical Product Information

Single and Multiple Duct Mounts

For all rooftop ductwork runs



NOTE: CALL RPS FOR HEAVY DUTY DUCT MOUNTING PEDESTALS OR OTHER SIZES

SPECIFICATION

Provide premanufactured duct mounting pedestals as manufactured by Roof Products & Systems, Bensenville, IL, at all necessary specified points or as shown on drawings. Each duct mounting pedestal shall include an RPS equipment rail of style as shown on drawings or as specified for equipment rails and a single galvanized steel slide channel with length equal to equipment rail length attached to "U" shaped mounting brackets and secured to side of equipment rail with lag bolts supplied. The galvanized steel duct slide assembly shall have galvanized 18" long continuously threaded rods to allow 12" vertical adjustment and lateral-adjust spacer bracket for 12" horizontal adjustment.



Duct Mounting Pedestals

Technical Product Information

Standard Rectangular Duct Supports

P.O. NUMBER _____

CUSTOMER _____

PROJECT _____

LOCATION _____

ARCHITECT _____

STANDARD CONSTRUCTION

- ACCOMMODATES DUCTS UP TO 84" WIDE
- STANDARD RPS EQUIPMENT RAIL BASE
- GALVANIZED STEEL SLIDE CHANNEL
- GALVANIZED CONTINUOUSLY THREADED RODS
- ADJUSTS 12" VERTICALLY & HORIZONTALLY
- GALVANIZED STEEL DUCT SLIDE ASSEMBLY

SIZE CHART	
RECT. DUCT SIZE	EQUIPMENT RAIL LENGTH
up to 12" Wide	2'- 0"
12-1/4" to 24" Wide	3'- 0"
24-1/4" to 36" Wide	4'- 0"
36-1/4" to 48" Wide	5'- 0"
48-1/4" to 60" Wide	6'- 0"
60-1/4" to 72" Wide	7'- 0"
72-1/4" to 84" Wide	8'- 0"

NOTE:
When ductwork is insulated, total outside dimension of duct and covering should be used to determine size of slide assembly.

STD. IS 11" HIGH *

ER-2A STYLE

STD. IS 8" HIGH *

ER-3A STYLE

STD. IS 9-1/2" HIGH *

"R" DIM.

NOTE: INDICATE OVERALL HEIGHT AND LENGTH OF EQUIPMENT RAIL BELOW

ER-4A STYLE

PROJECT REQUIREMENTS							
QTY.	MODEL NO.	ER STYLE	* OVERALL HEIGHT	** OVERALL LENGTH	"R" DIM.	RECT. DUCT SIZE	TAG

© Copyright, August, 2010, Commercial Products Group of Hart & Cooley, Inc. All Rights Reserved. All information is subject to change without notice. Dimensions and specifications shown are within manufacturing tolerances.



Duct Mounting Pedestals

Technical Product Information

Standard Round Duct Supports

P.O. NUMBER _____

CUSTOMER _____

PROJECT _____

LOCATION _____

ARCHITECT _____

STANDARD CONSTRUCTION

- ACCOMMODATES DUCTS UP TO 84" DIAMETER
- STANDARD RPS EQUIPMENT RAIL BASE
- GALVANIZED STEEL SLIDE CHANNEL
- GALVANIZED CONTINUOUSLY THREADED RODS
- ADJUSTS 12" VERTICALLY & HORIZONTALLY
- GALVANIZED STEEL DUCT SLIDE ASSEMBLY

SIZE CHART	
ROUND DUCT SIZE	EQUIPMENT RAIL LENGTH
up to 12" Diameter	2'- 0"
12-1/4" to 24" Dia.	3'- 0"
24-1/4" to 36" Dia.	4'- 0"
36-1/4" to 48" Dia.	5'- 0"
48-1/4" to 60" Dia.	6'- 0"
60-1/4" to 72" Dia.	7'- 0"
72-1/4" to 84" Dia.	8'- 0"

NOTE:
When ductwork is insulated, total outside diameter of duct and covering should be used to determine size of slide assembly.

STD. IS 11" HIGH *

ER-2A STYLE

STD. IS 8" HIGH *

ER-3A STYLE

STD. IS 9-1/2" HIGH *

"R" DIM.

NOTE: INDICATE OVERALL HEIGHT AND LENGTH OF EQUIPMENT RAIL BELOW

ER-4A STYLE

PROJECT REQUIREMENTS								
QTY.	MODEL NO.	ER STYLE	* OVERALL HEIGHT	** OVERALL LENGTH	"R" DIM.	CIRCULAR DUCT SIZE	"A" DIM.	TAG

© Copyright, August, 2010, Commercial Products Group of Hart & Cooley, Inc. All Rights Reserved. All information is subject to change without notice. Dimensions and specifications shown are within manufacturing tolerances.