

Low Intensity Heater Instruction Sheet

LU-AO Installation Instructions & Specifications

For use with LS (V2) or LD (V2) Models.

Parts List

- (1) DB-TF1B 180° U-tube Fitting
- (1) TP-1077 3 in. Tube Clamp
- (1) TP-1079 3 in. Wire Hanger
- (1) RU (Included with P/N: DB-RUP)
- (2) TP-105 Reflector End Caps
- (8) TP-106 Reflector End Cap Clips

IMPORTANT! In residential garage applications, heater cannot be unvented.

Figure 1 • Dimensions for Heater Installed with U-tube Fitting (P/N: DB-TF1B)

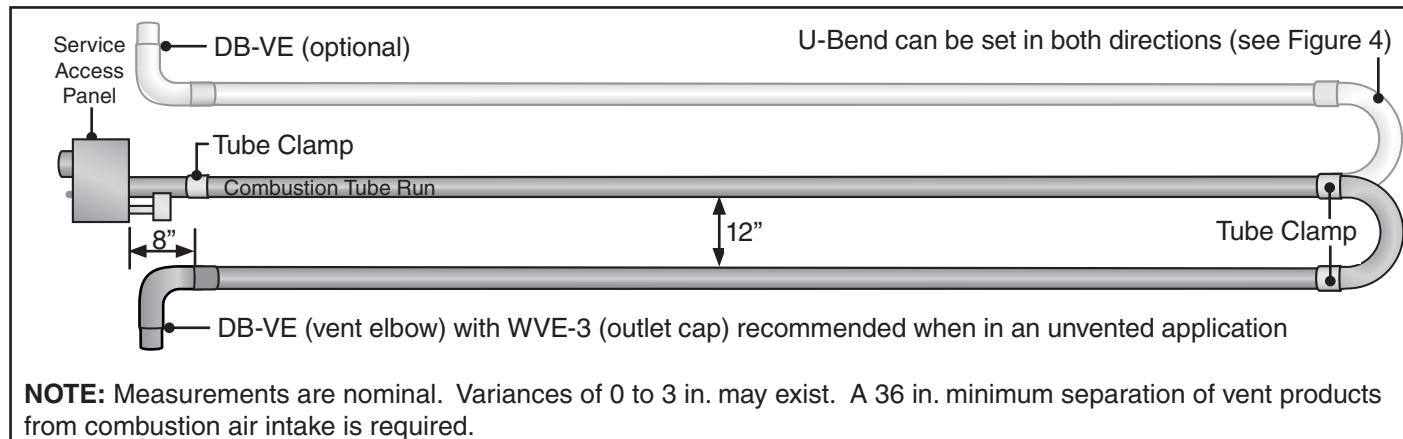


Chart 1 • Overall Dimensions for Heaters Configured with LU-AO.

*Tube Length	**Overall Assembly Dimension	***Notes
10 ft.	8'-1" / 97"	Requires P/N: LU10-AO
15 ft.	10'-7" / 127"	Requires P/N: LU15-AO
20 ft.	13'-1" / 157"	Requires P/N: LU20-AO
30 ft.	17'-9" / 213"	Requires P/N LU30-AO

* DB-TF1B or DB-RUP can be used on all LS (V2) and LD (V2) models except the 15 ft. 50 MBH model.

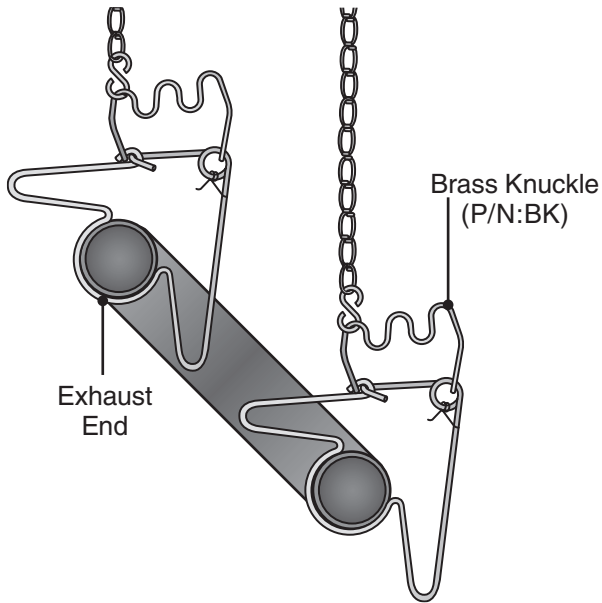
** Dimension does not include the reflector.

*** When using the LU-AO upgrade on 10 ft., 15 ft. or 30 ft. models, the DB-5EA-SUB accessory package is included. The DB-RUP is included with all models.

⚠ WARNING

The top Clearance to Combustibles is 18 inches when a U-tube fitting (P/N: DB-TF1B) is installed without a reflector cover.

Figure 2 • 45° Angle Mounting



NOTE: Heaters configured with a DB-TF1B can be mounted at a 15, 30 or 45 degree angle with two suspension points, using two Brass Knuckles (P/N: BK), #1 double-loop chains and S-hooks.

Figure 4 • Burner Control Box Dimensions - End View

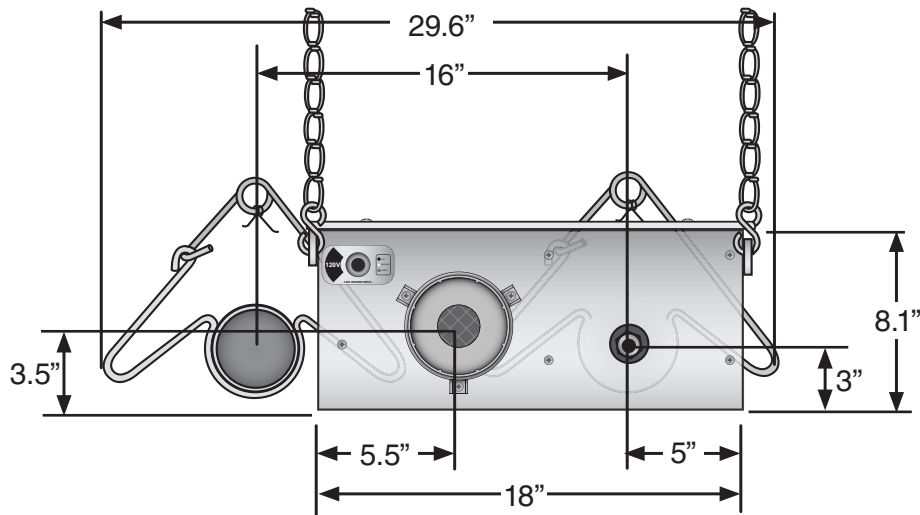
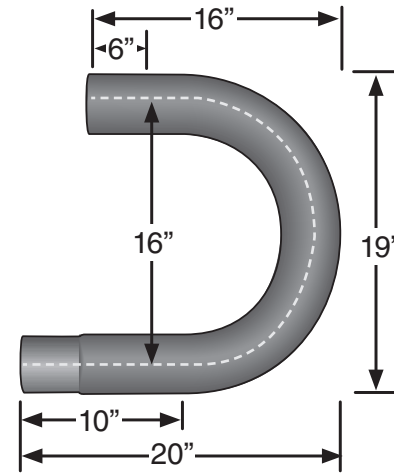


Figure 3 • U-Tube Dimensions (P/N: DB-TF1B)



NOTE: When mounting a heater configured with a U-tube fitting (P/N: DB-TF1B) on a 45° angle, the exhaust end of the heater must be placed higher than the burner end. The burner control box must remain horizontal/level.

Figure 5 • Burner Control Box Dimensions - Side View

