

Low Intensity Accessory Instruction Sheet

Drop Ceiling (P/N: DCSP) and Egg Crate (P/N: EC) Installation

Note: For use with 10 ft. to 80 ft. tube heater models.

Parts List

- (1) Side Panel Set (P/N: DCSP)
- (1) Egg Crate (Sold Separately P/N: EC)
- (4) Sheet Metal Screws

Assembly Instructions

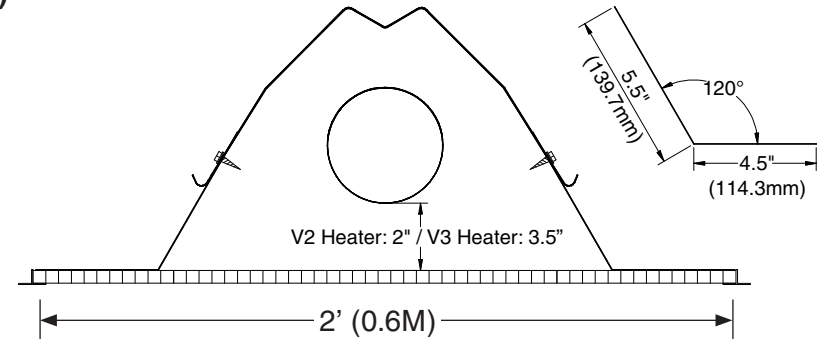
- 1 Assemble as shown in Figures 1 - 4, trimming the side shields at hangers and center support locations.

Note: Ceiling grids may vary in height, side panels lay on top.

Table 1 • Required DCSP per Heater (Sets)

Model Length	10ft. (3M)	20ft. (6M)	30ft. (9M)	40ft. (12M)	50ft. (15M)	60ft. (18M)	70ft. (21M)	80ft. (24M)
Straight	2	4	6	8	10	12	14	16

Figure 1 • DCSP/EC Installation - Straight Configuration (Cross Section)

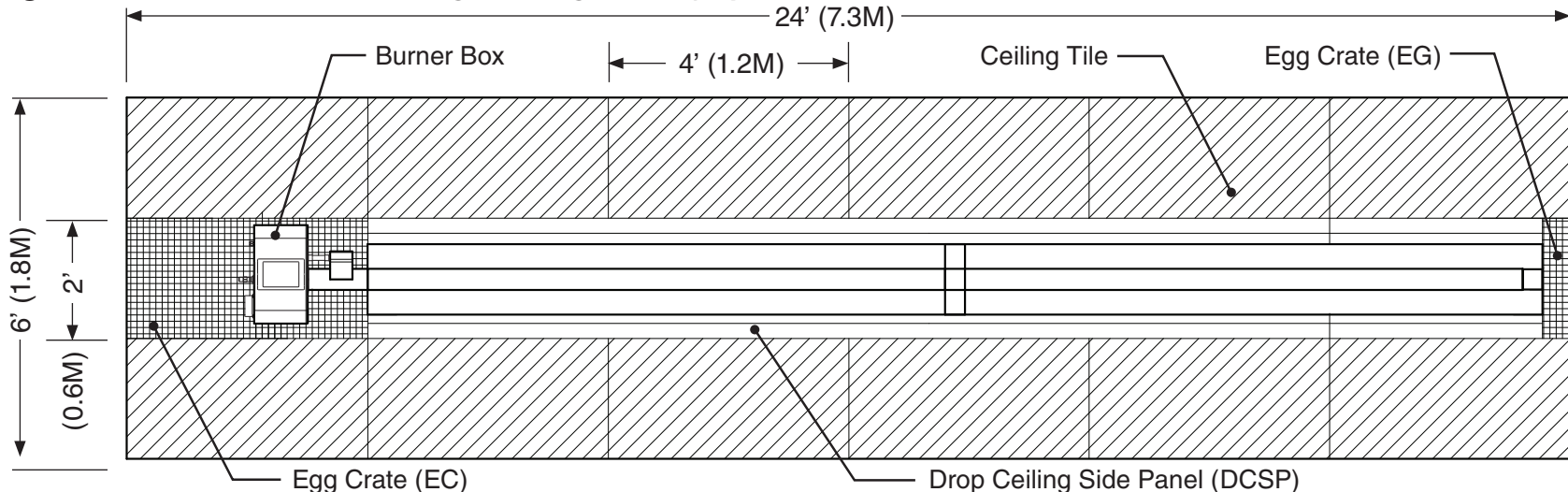


Tube is suspended 2" min. (V2) or 3.5" min. (V3) above egg crate (P/N: EC).

Table 2 • Required EC per Heater

Model Length	10ft. (3M)	20ft. (6M)	30ft. (9M)	40ft. (12M)	50ft. (15M)	60ft. (18M)	70ft. (21M)	80ft. (24M)
Straight	3	6	9	12	15	18	21	24

Figure 2 • DCSP Installation - Straight Configuration (Top View)



Low Intensity Accessory Instruction Sheet

Drop Ceiling (P/N: DCSP) and Egg Crate (P/N: EC) Installation

Table 3 • Required DCSP per Heater (Sets)

Model Length	10ft. (3M)	20ft. (6M)	30ft. (9M)	40ft. (12M)	50ft. (15M)	60ft. (18M)	70ft. (21M)	80ft. (24M)
w/ TF1B	2	3	4	5	6	7	8	9

Note: Reflector "U" (RU) must be used when installed above a drop ceiling.

Table 4 • Required EC per Heater

Model Length	10ft. (3M)	20ft. (6M)	30ft. (9M)	40ft. (12M)	50ft. (15M)	60ft. (18M)	70ft. (21M)	80ft. (24M)
w/ TF1B	4	7	10	12	15	17	20	22

Figure 3 • DCSP Installation w/ TF1B (Cross Section)

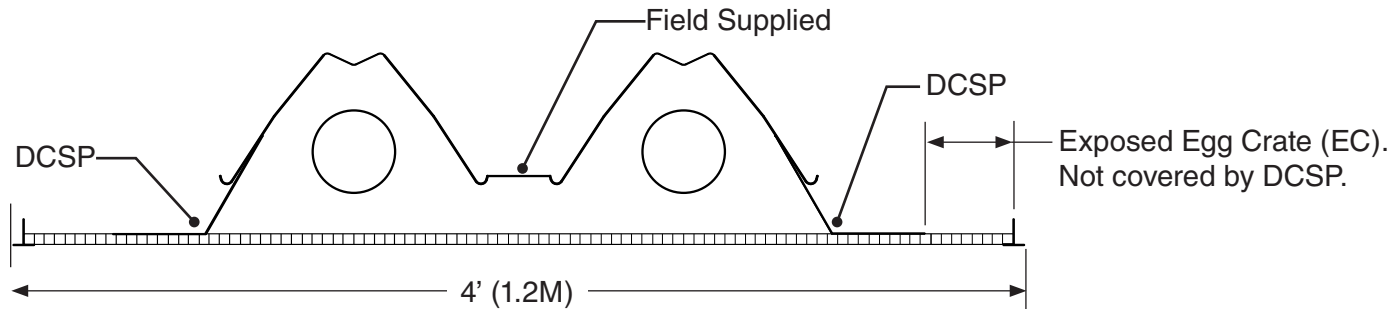


Figure 4 • DCSP Installation w/ TF1B (Top View)

