

DETROIT RADIANT PRODUCTS

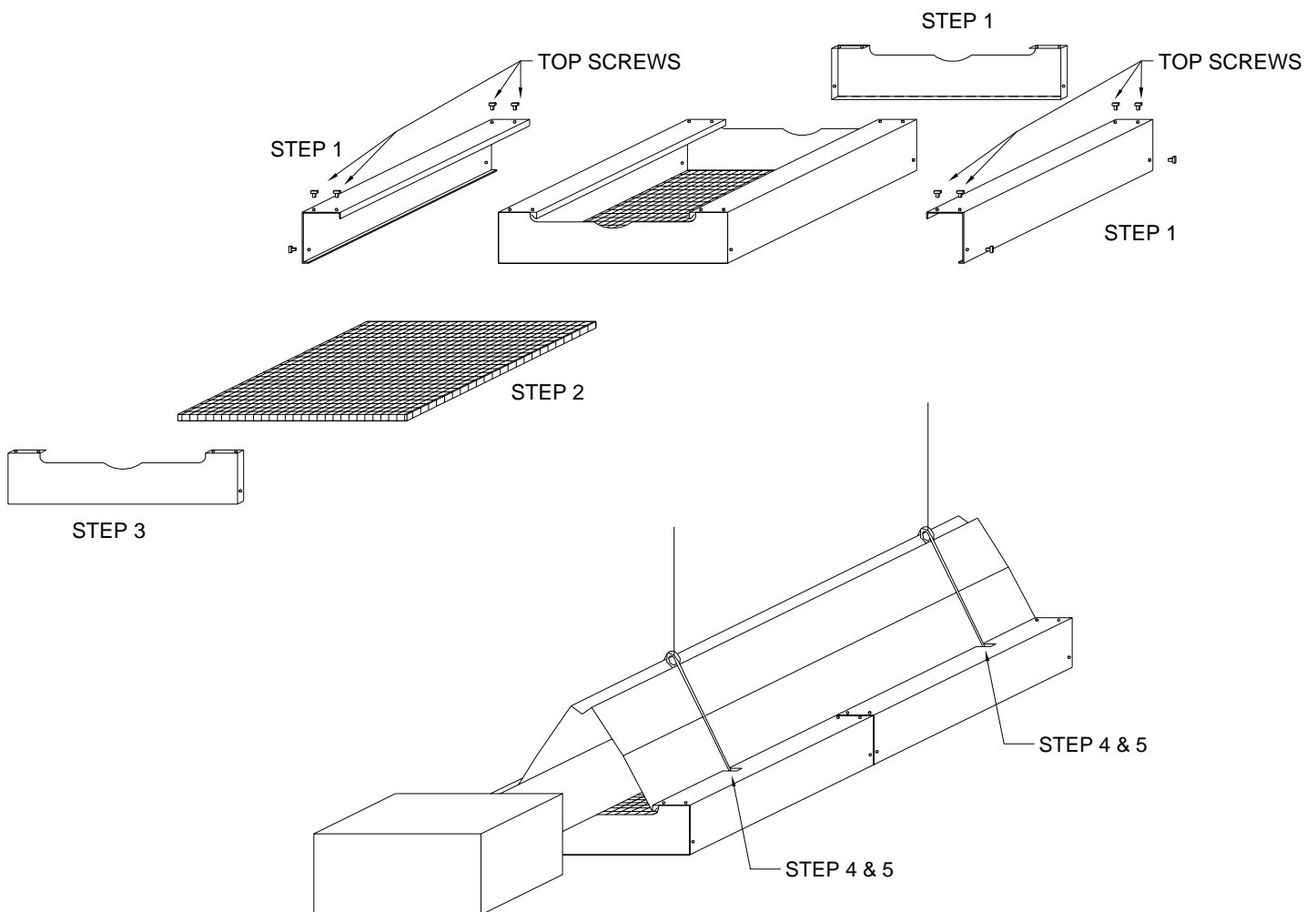
BRDG Decorative Grill Installation Instruction Sheet

Steps:

- 1) Attach both side frames to 1 end cap.
- 2) Insert egg crate.
- 3) Attach final end cap.
- 4) Snap into place on reflector.
- 5) Notch where necessary to accommodate hangers.

Helpful Hint:

Leave top screws loose until after assembly is installed on reflector.



Printed in U.S.A.
© 2004 Detroit Radiant Products Co.
21400 Hoover Rd., Warren, MI 48089
T. (586) 756-0950 F. (586) 756-2626
www.reverberray.com



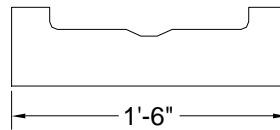
DETROIT RADIANT PRODUCTS

BRDG Decorative Grill Kit Contents

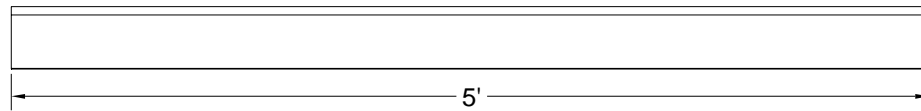
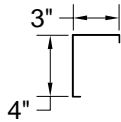
REQUIRED BRDG'S PER HEATER															
MODEL	10'	15'	20'	25'	30'	35'	40'	45'	50'	55'	60'	65'	70'	75'	80'
BRDG'S	2	3	4	5	6	7	8	9	10	11	12	13	14	15	16

Kit Contains:

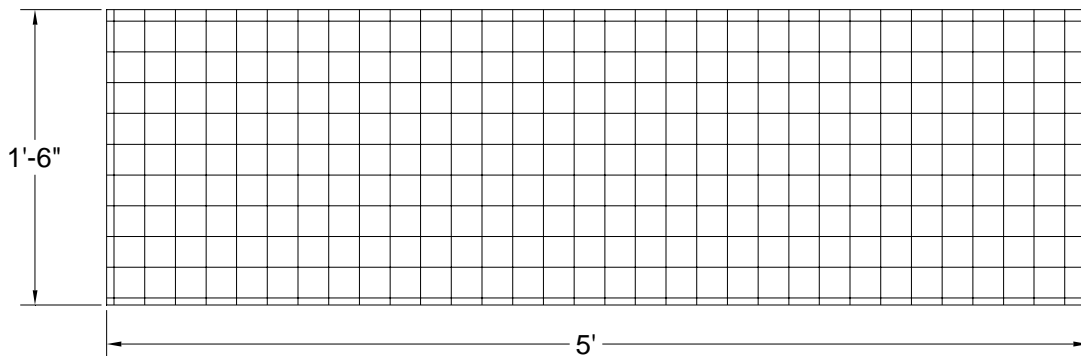
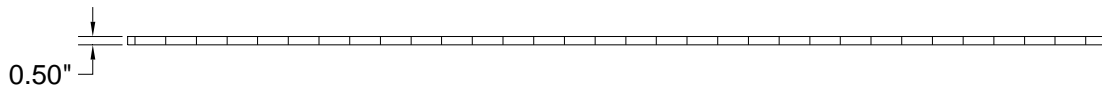
- 2) End Caps (A)
- 2) Side Frames (B)
- 1) Egg Crate (C)
- 12) Self tap Screws (Not shown)



A) UNIVERSAL END CAP



B) UNIVERSAL SIDE FRAME



C) EGG CRATE