

Complete this blank coil template and email to [customerservice@northstock.com](mailto:customerservice@northstock.com)

ACADRAE1.DWG.DWG

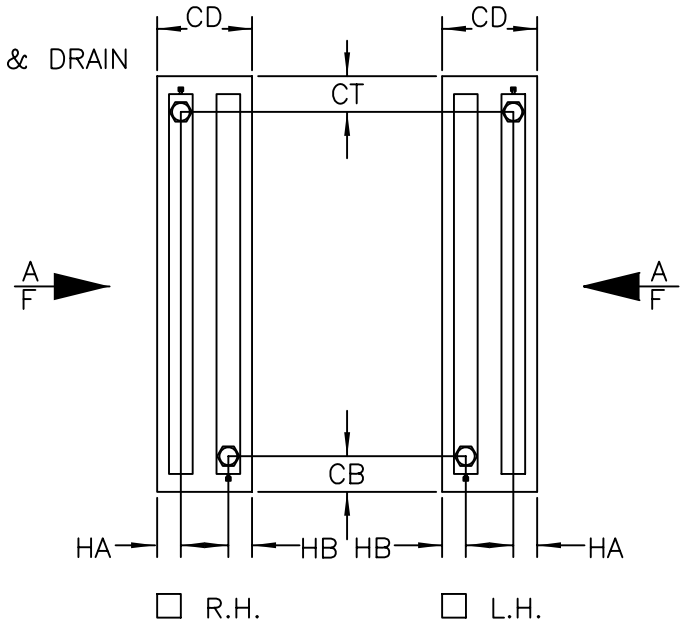
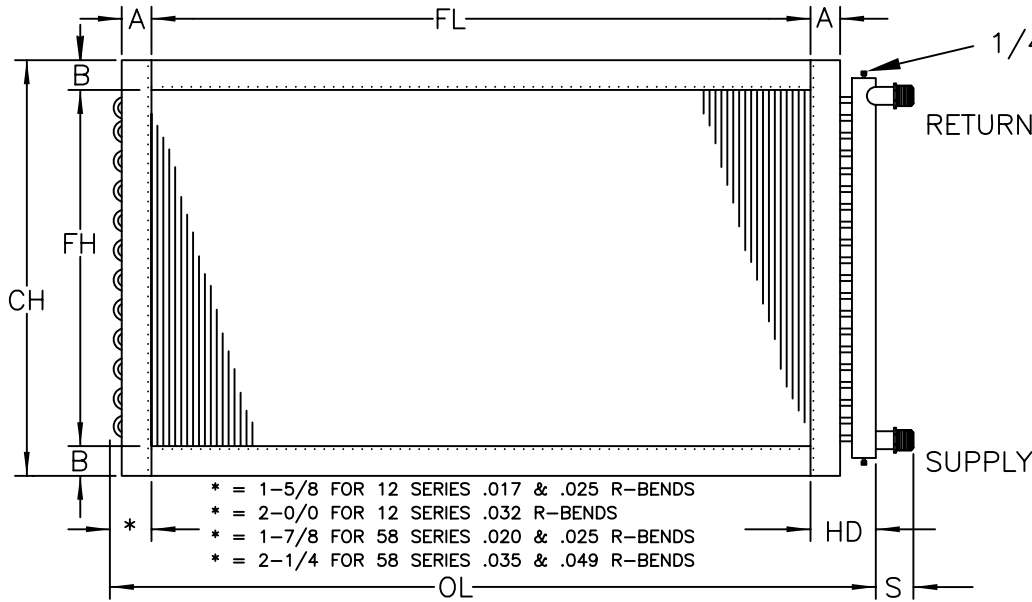
**RAE Corporation**

(CHILLED & HOT WATER COILS)  
(SAME END CONNECTIONS)

REPLACEMENT COIL DATA SHEET

REP. NAME NorthStock, Inc. PROJECT \_\_\_\_\_

PR NO. \_\_\_\_\_ MODEL \_\_\_\_\_



ROWS	FPI	FH	FL	A	B	CH	OL	CD	S	HA	HB	CT	CB	HD

QTY. \_\_\_\_\_

NOTES:

FIN MATERIAL		TUBE MATERIAL		CASING MATERIALS		CONNECTIONS	
<input type="checkbox"/> FLAT	<input type="checkbox"/> CORR	<input type="checkbox"/> 1/2	<input type="checkbox"/> 5/8	<input type="checkbox"/> 18 GA.	<input type="checkbox"/> 16 GA.	<input type="checkbox"/> COPPER	<input type="checkbox"/> STEEL
<input type="checkbox"/> ALUM	<input type="checkbox"/> .006	<input type="checkbox"/> .017	<input type="checkbox"/> .020	<input type="checkbox"/> GALV.	<input type="checkbox"/> S.S.	SUPPLY _____	
<input type="checkbox"/> AL ACR	<input type="checkbox"/> .008	<input type="checkbox"/> .025	<input type="checkbox"/> .025	<input type="checkbox"/> ALUM.	<input type="checkbox"/> CU	RETURN _____	
<input type="checkbox"/> CU	<input type="checkbox"/> .010	<input type="checkbox"/> .032	<input type="checkbox"/> .035	FLANGE TYPE		HDR DIA. _____	
<input type="checkbox"/> CU ACR		<input type="checkbox"/> .049		<input type="checkbox"/> STACKING	<input type="checkbox"/> STANDARD	<input type="checkbox"/> MPT. <input type="checkbox"/> FPT. <input type="checkbox"/> ODS.	

ITEM NO. \_\_\_\_\_  
 COIL CIRCUITING \_\_\_\_\_