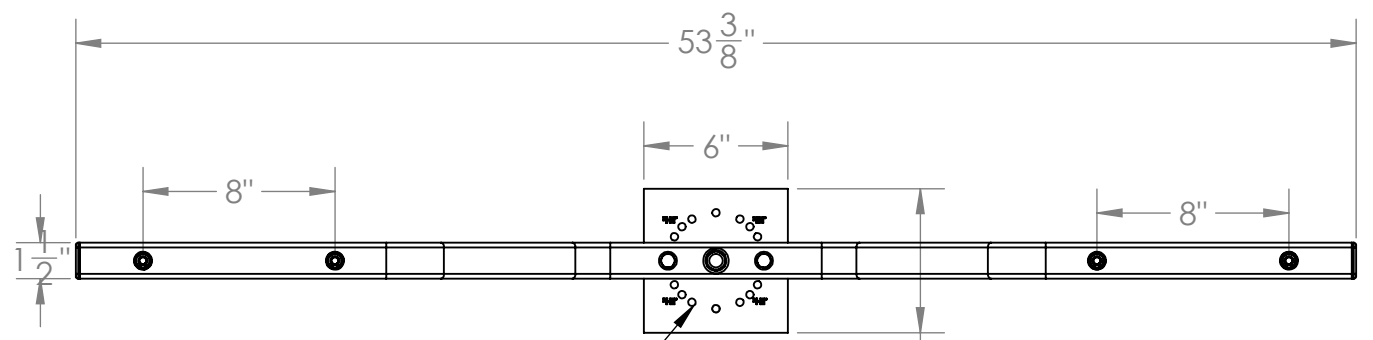
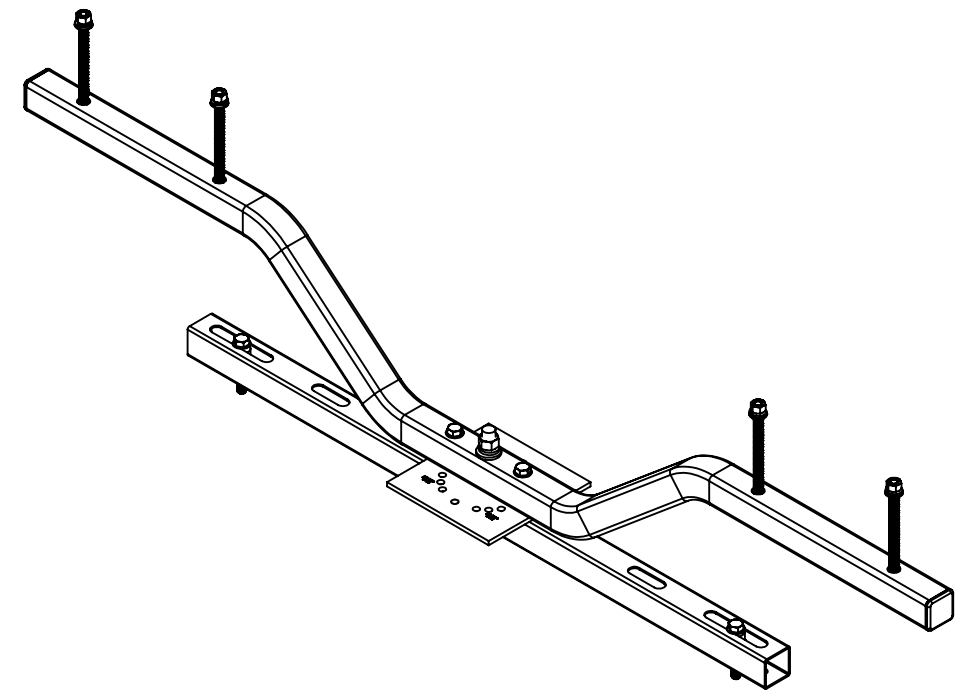
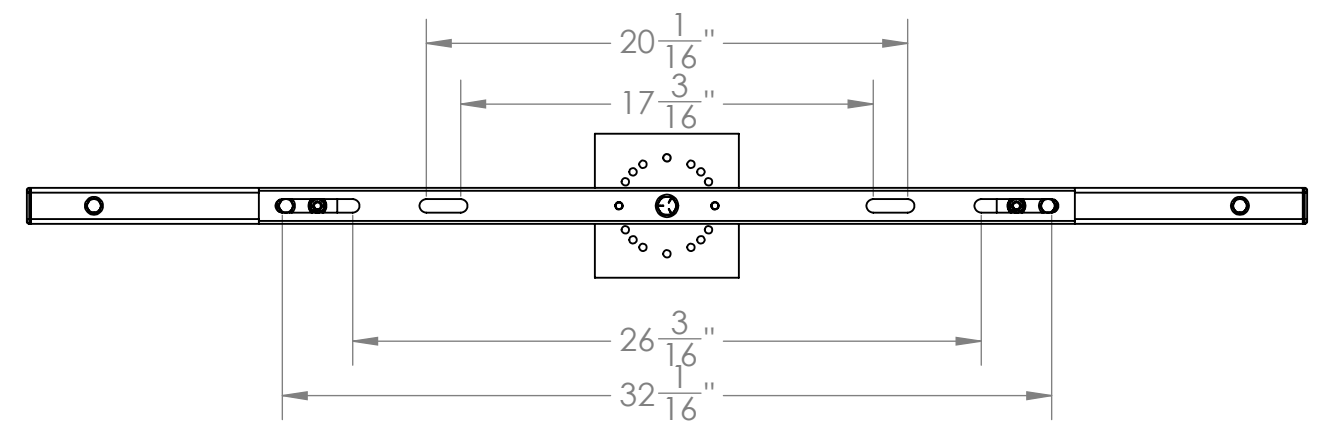
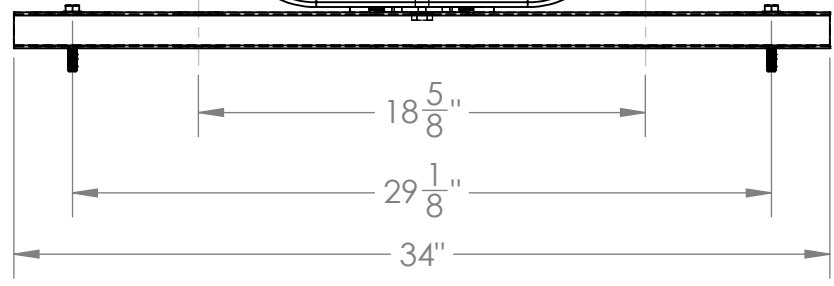
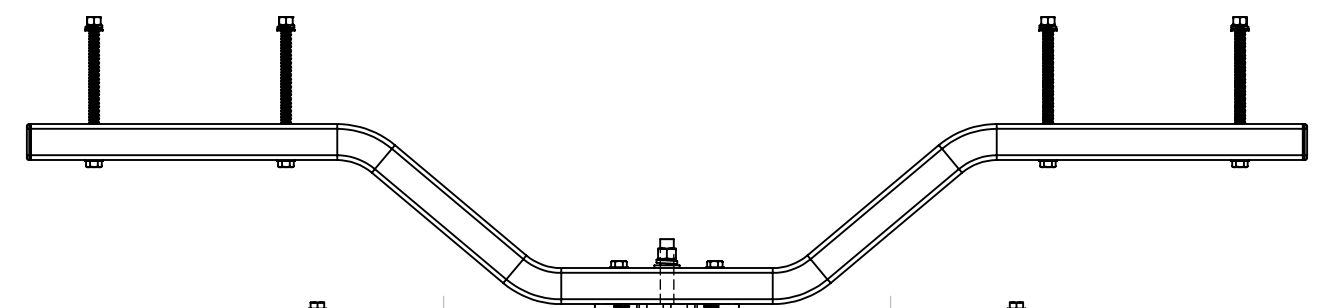


REVISIONS					
REV	ZONE	DESCRIPTION	EC	NAME	DATE
A01		INITIAL RELEASE			



5/16" HOLES AT
0, 30, 45, 60, AND 90 DEG
LOCATIONS
45 DEG MARKED



MATERIAL: SEE NOTES
FINISH: SEE NOTES



ALL DRAWINGS AND WRITTEN MATERIAL
CONTAINED HEREIN ARE THE PROPERTY
OF DIVERSITECH AND MAY NOT BE
DUPLICATED OR DISCLOSED AT ANY TIME
UNLESS APPROVED IN WRITING BY
DIVERSITECH

	NAME	DATE
DRAWN		
CHECKED		
ENG APPR.		
MFG APPR.		
Q.A.		

UNLESS OTHERWISE SPECIFIED
DIMENSIONS ARE IN (INCHES)/MM
TOLERANCES IN MM

ANGULAR MACH	±0.25°
ANGULAR BEND	±1°
X.	±2
X.X	±0.1
X.XX	±0.02
X.XXX	N/A

TITLE:		
SIZE	DRAWING NUMBER	REV
BTest QSWI5001 QSWI5001		001
SCALE: 1:10	WEIGHT (lbs):	SHEET 1 OF 1