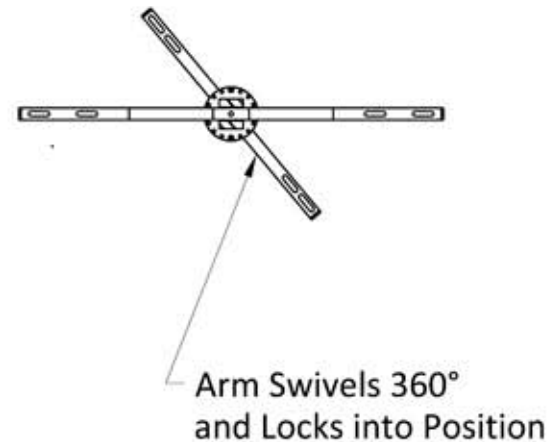
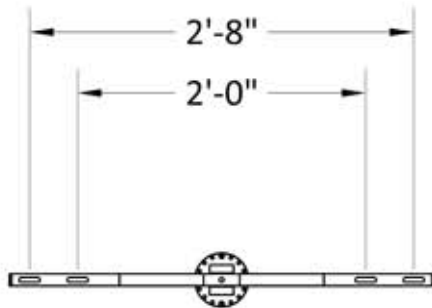
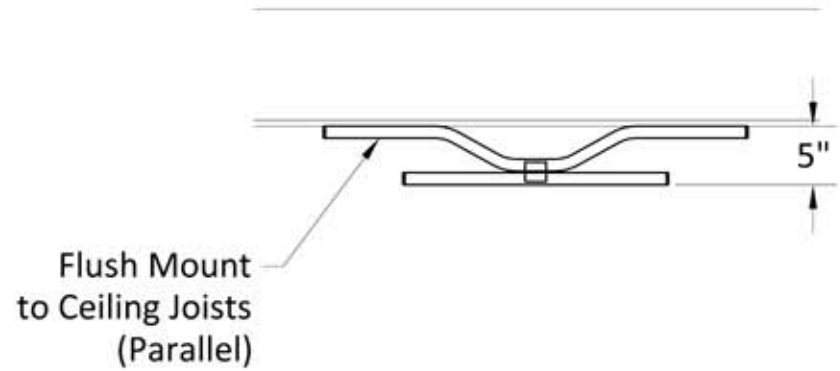
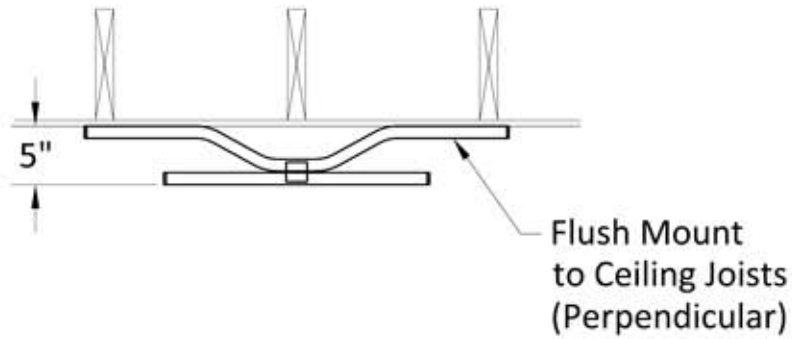


QSWI4000



QUICK-SLING

U.S. Patent No. 9,103,486

**QUICK-SLING SWIVEL
FLUSH MOUNT
ASSEMBLY DRAWING**

www.quick-sling.com
email: info@quick-sling.com
fax: 1-(800)-699-0423

Quick Sling, LLC
391 W. Water Street
Taunton, MA 02780
1-(800)-699-0453