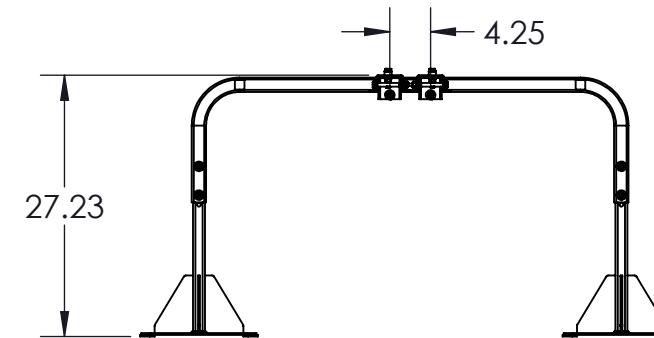
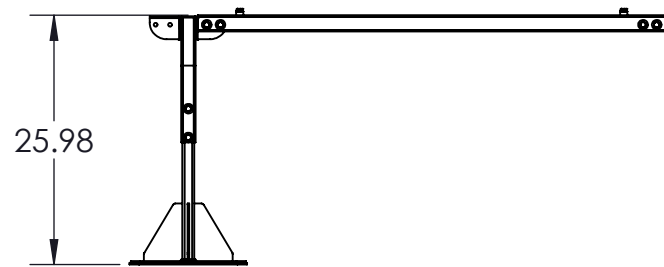
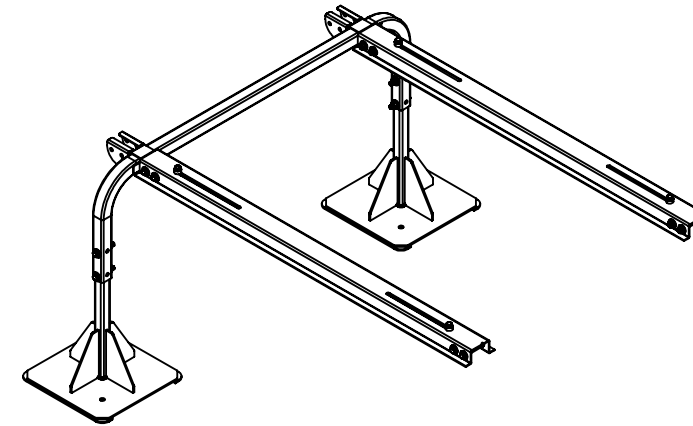
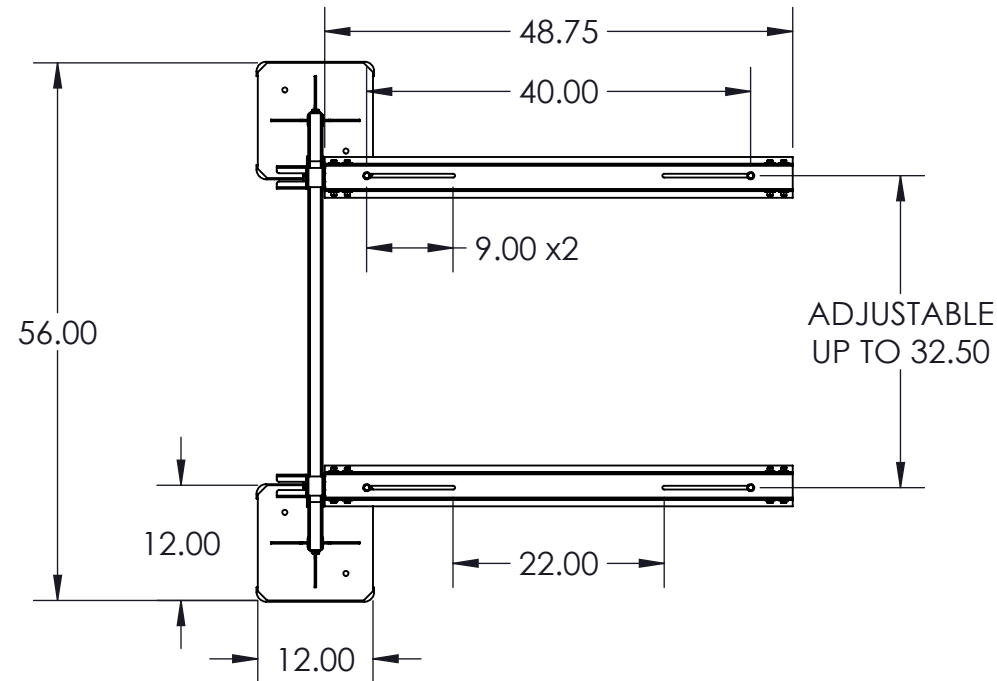


NOTES

MATERIAL:
 COLOR: RAL 7047
 FINISH: Powder Coat
 OTHER NOTES: ~



THIS UNIT CONSISTS OF:
(1) QSSX2000-24
(1) QSSB248

| | | | | | | | | | |
|---|--|------------------------|---|--|-----------------------------|--|-----------------|------------|--------------|
| ALL DRAWINGS AND WRITTEN MATERIAL CONTAINED HEREIN ARE THE PROPERTY OF DIVERSITECH CORP AND MAY NOT BE DUPLICATED OR DISCLOSED AT ANY TIME UNLESS APPROVED IN WRITING BY DIVERSITECH CORP INTERPRET THIS DRAWING IN ACCORDANCE WITH ASME Y14.5-2009 DIMENSIONING AND TOLERANCING STANDARDS | UNLESS OTHERWISE SPECIFIED DIMENSIONS & TOLERANCES ARE IN INCHES / [mm] | | | MATERIAL: SEE NOTES FINISH: SEE NOTES *DO NOT SCALE* | | | TITLE | | SIZE |
| | ANG. MACH. ±0.25° ANG. BEND ±1° | DECIMALS INCHES [mm] | Super Stand Ext w/ 48" rails & 24" Feet | | | | B | | |
| | X ±0.1 ±2 X.X ±0.05 ±0.1 X.XX ±0.005 ±0.02 X.XXX ±0.002 ±N/A | THIRD ANGLE PROJECTION | | DRAWN NAME DATE | DRAWING NUMBER REVISION | | | | |
| | | | MFG APPR. | AMP 13 Feb 19 | QSSX48-24 -01 | | | | |
| | | | | | | | SCALE: 1:2 0 | WT. (lbs): | SHEET 1 OF 1 |