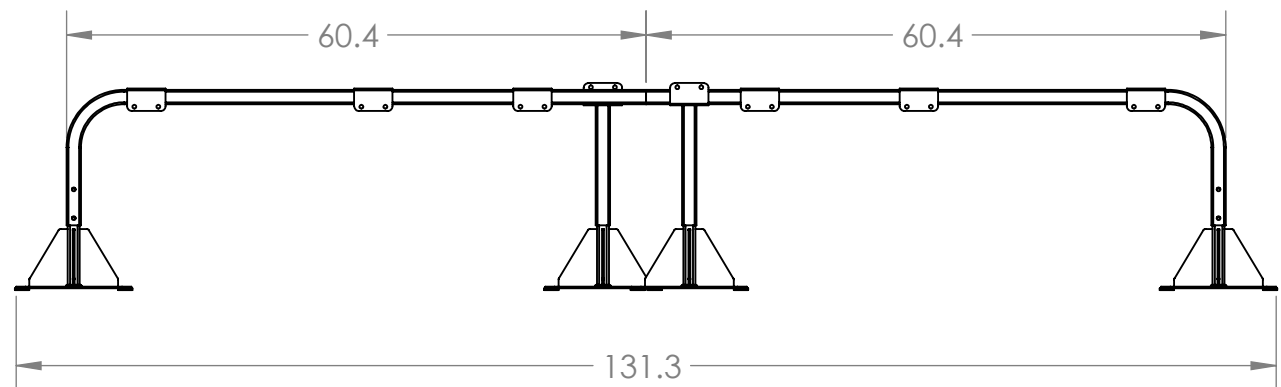
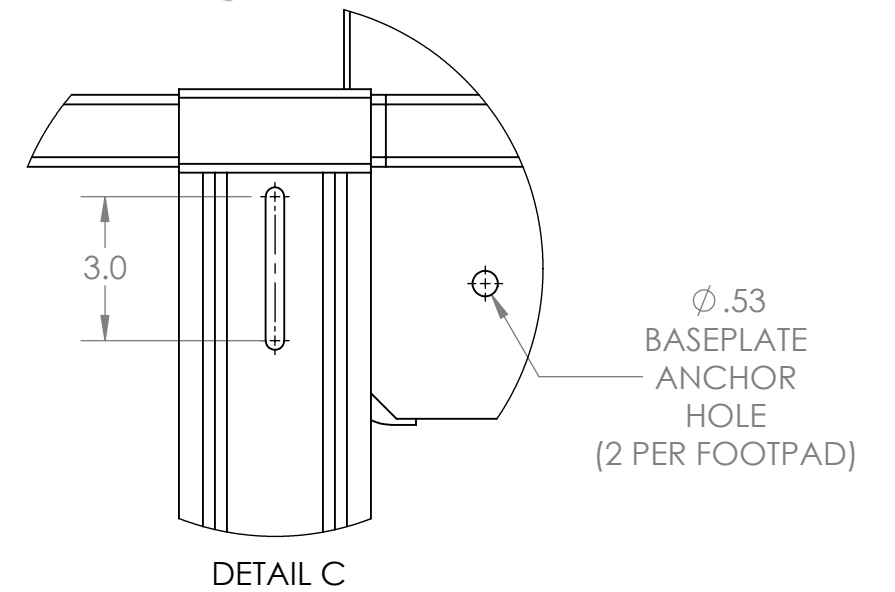
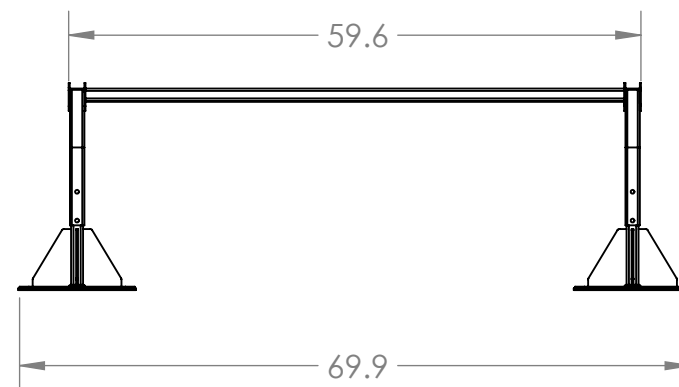
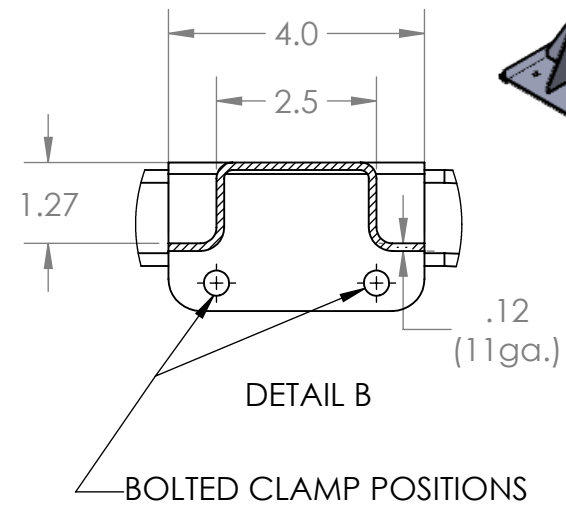
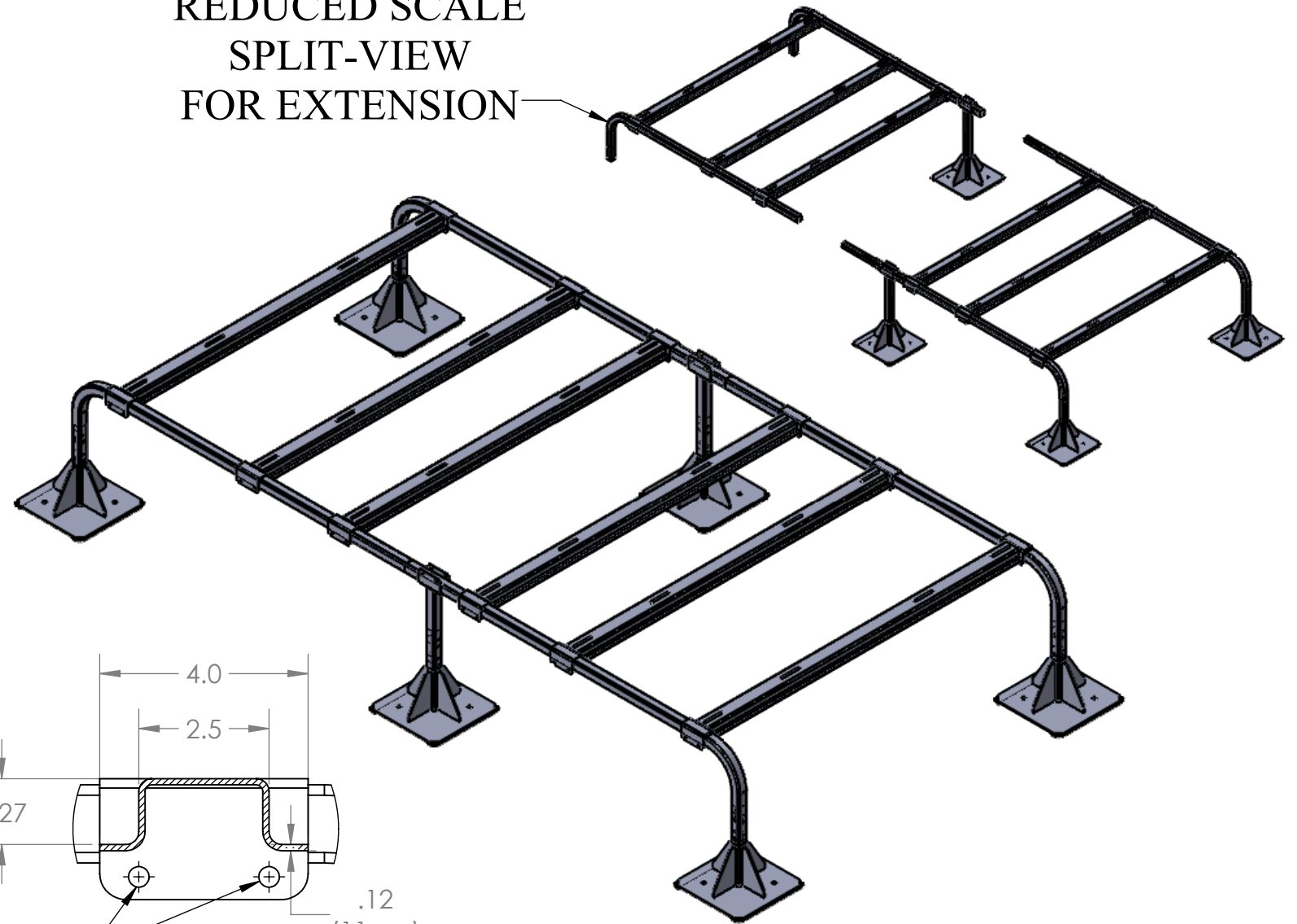


SECTION A-A

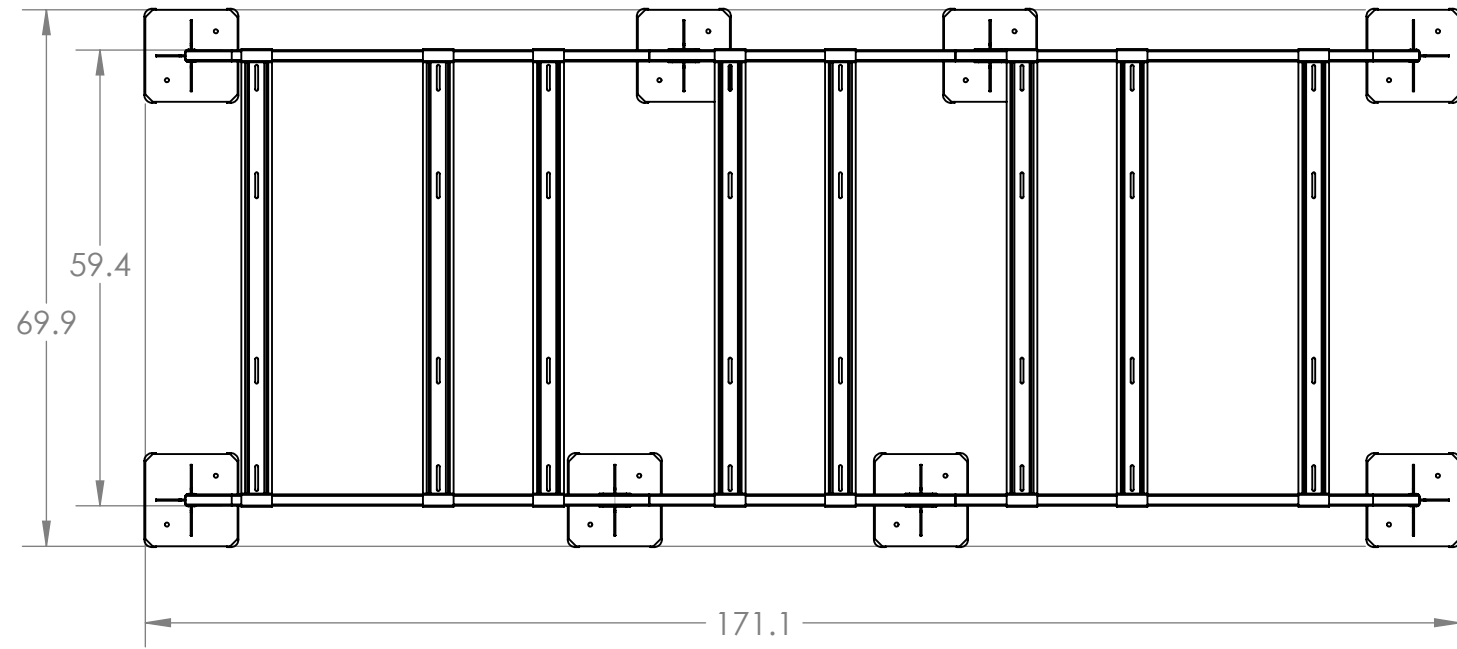


REDUCED SCALE
SPLIT-VIEW
FOR EXTENSION



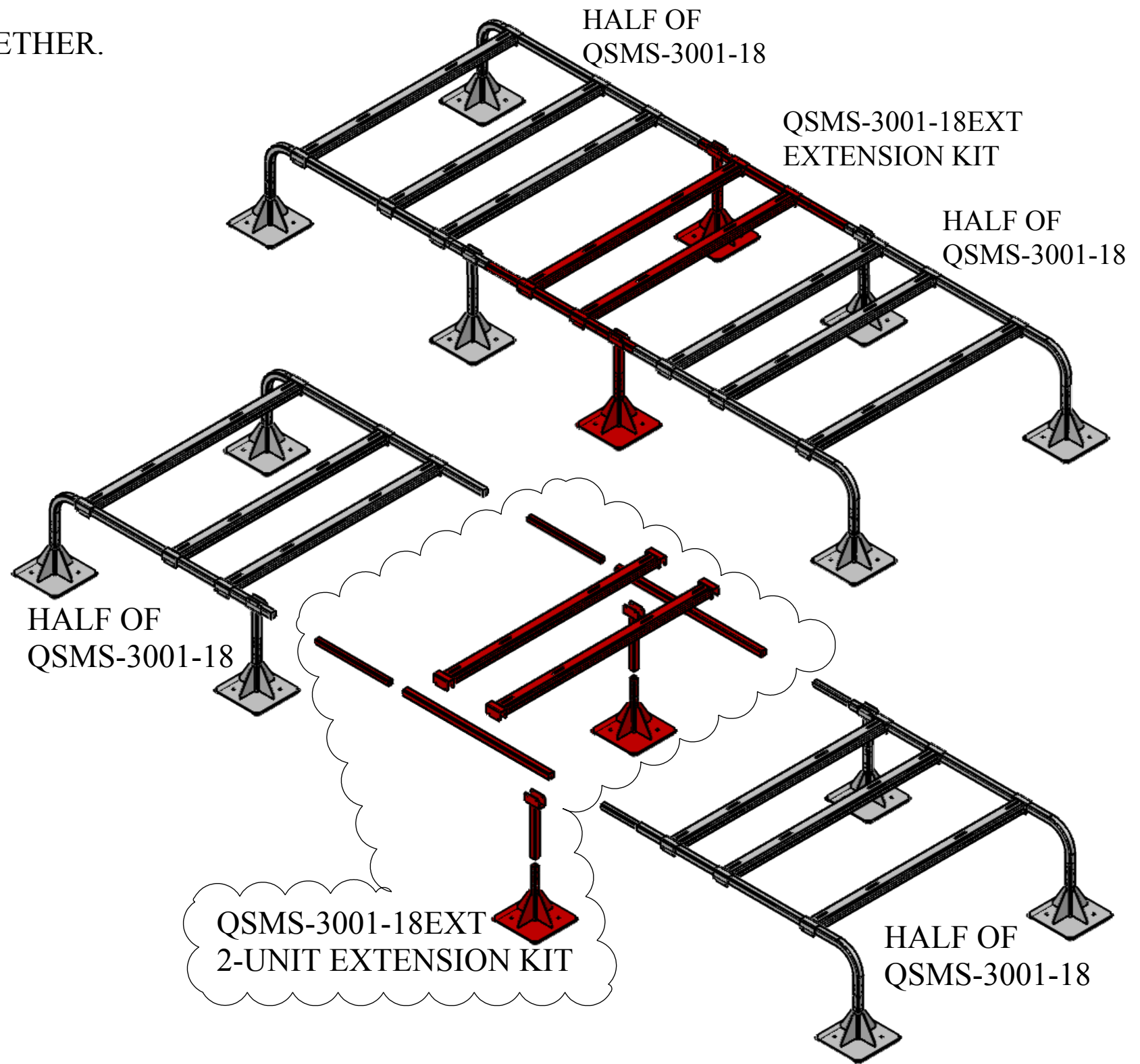
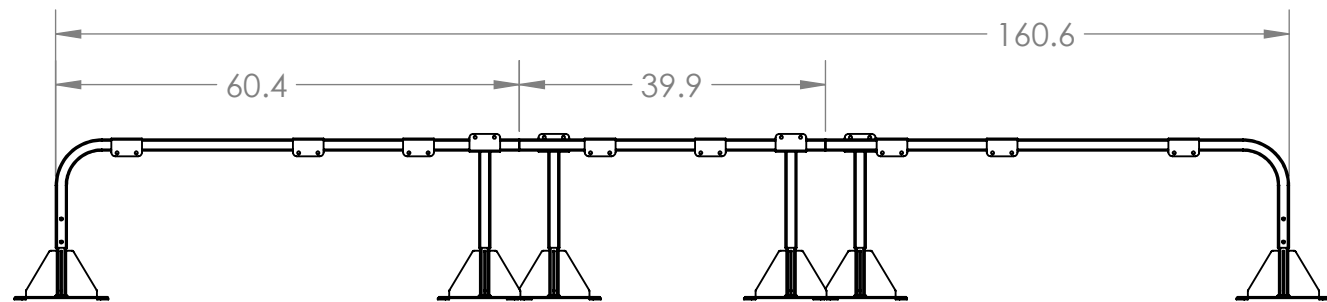
QSMS-3001-18

THESE VIEWS SHOW QSMS-3001-18 AND QSMS-3001-18EXT TOGETHER.

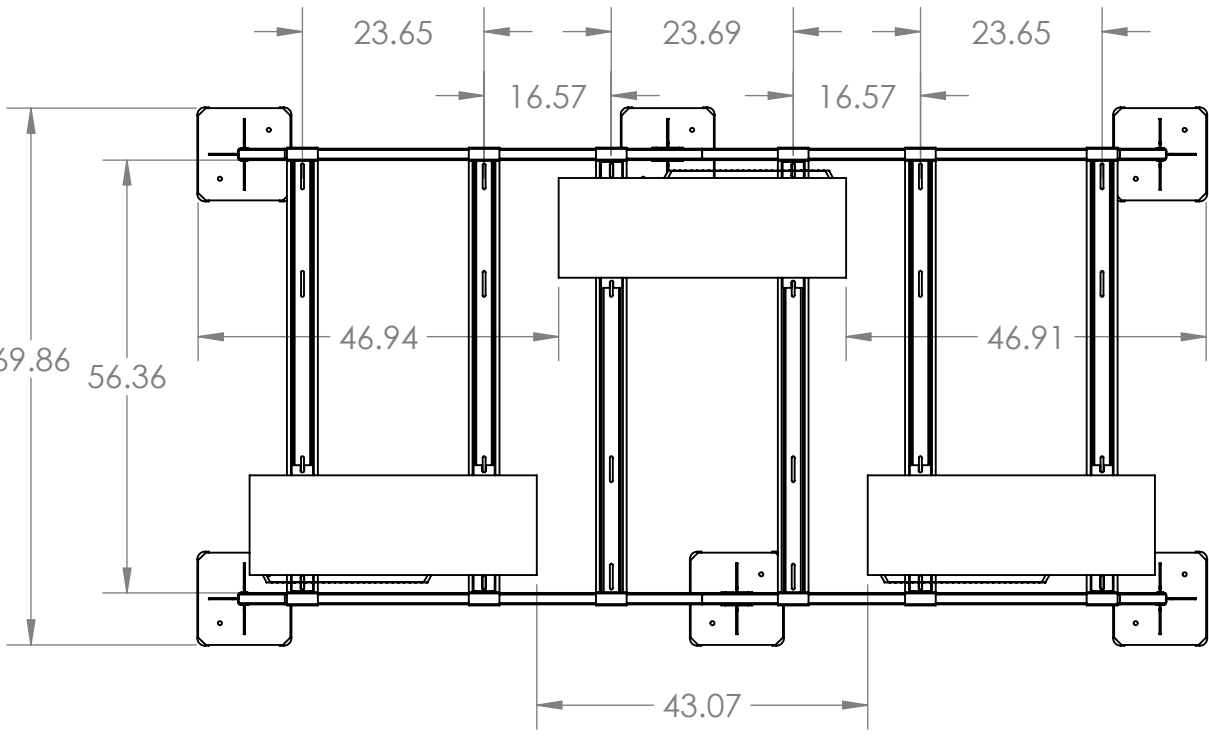


EACH EXTENSION KIT ADDS 40" TO THE OVERALL LENGTH.

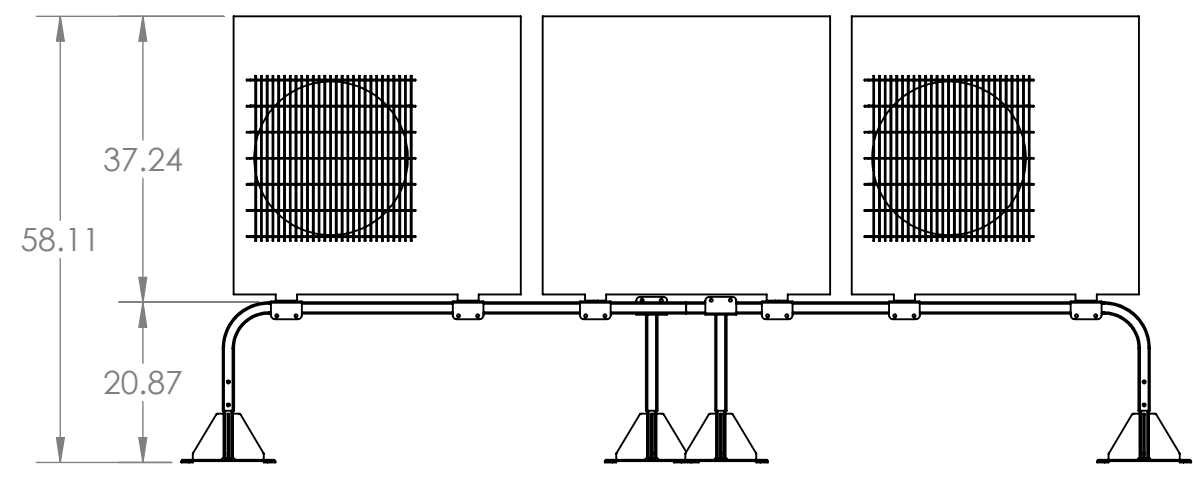
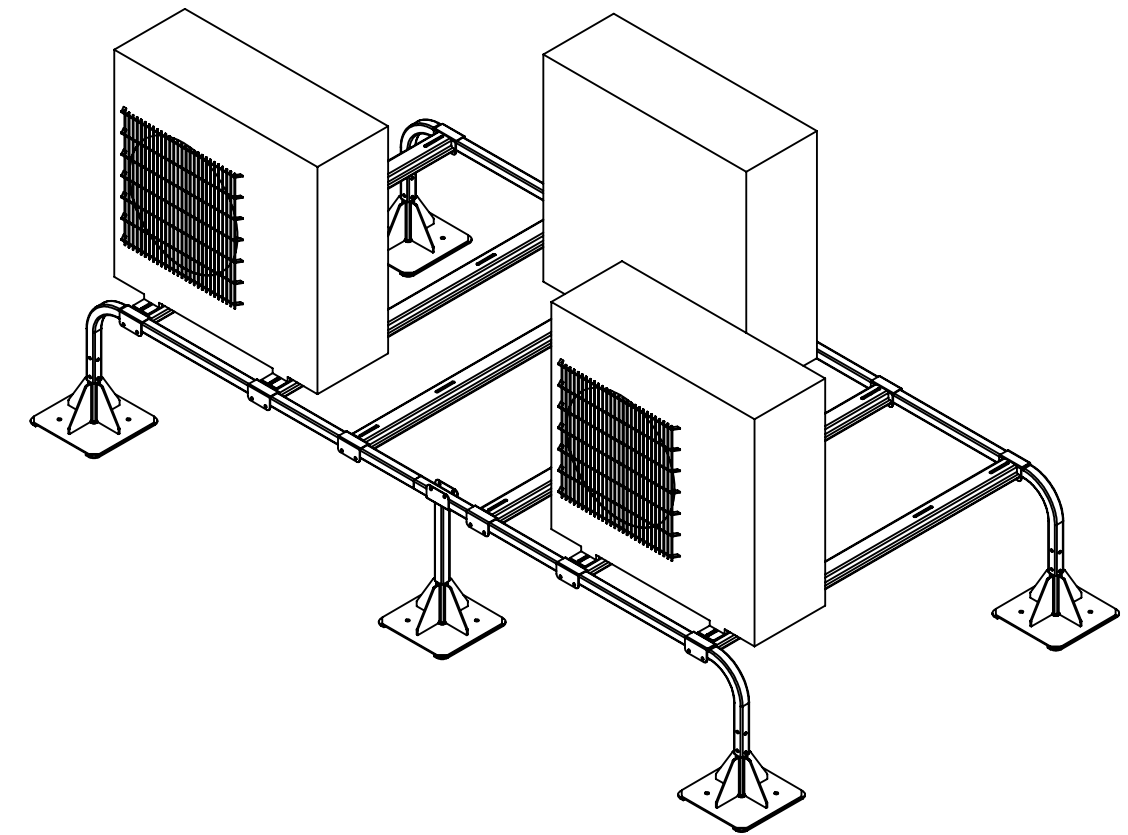
ALL WIDTH DIMENSIONS ARE UNCHANGED.



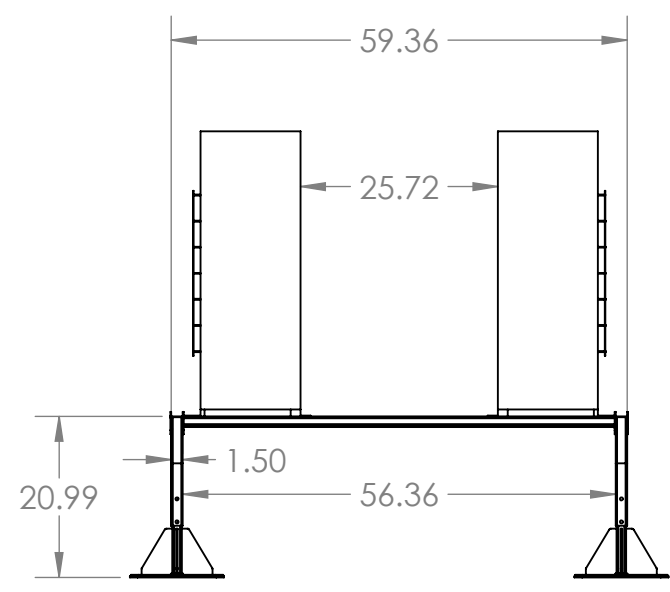
QSMS-3001-18EXT
USED TO EXTEND STAND
IN MULTIPLES OF 2 SUPPORTED
UNITS PER EXTENSION

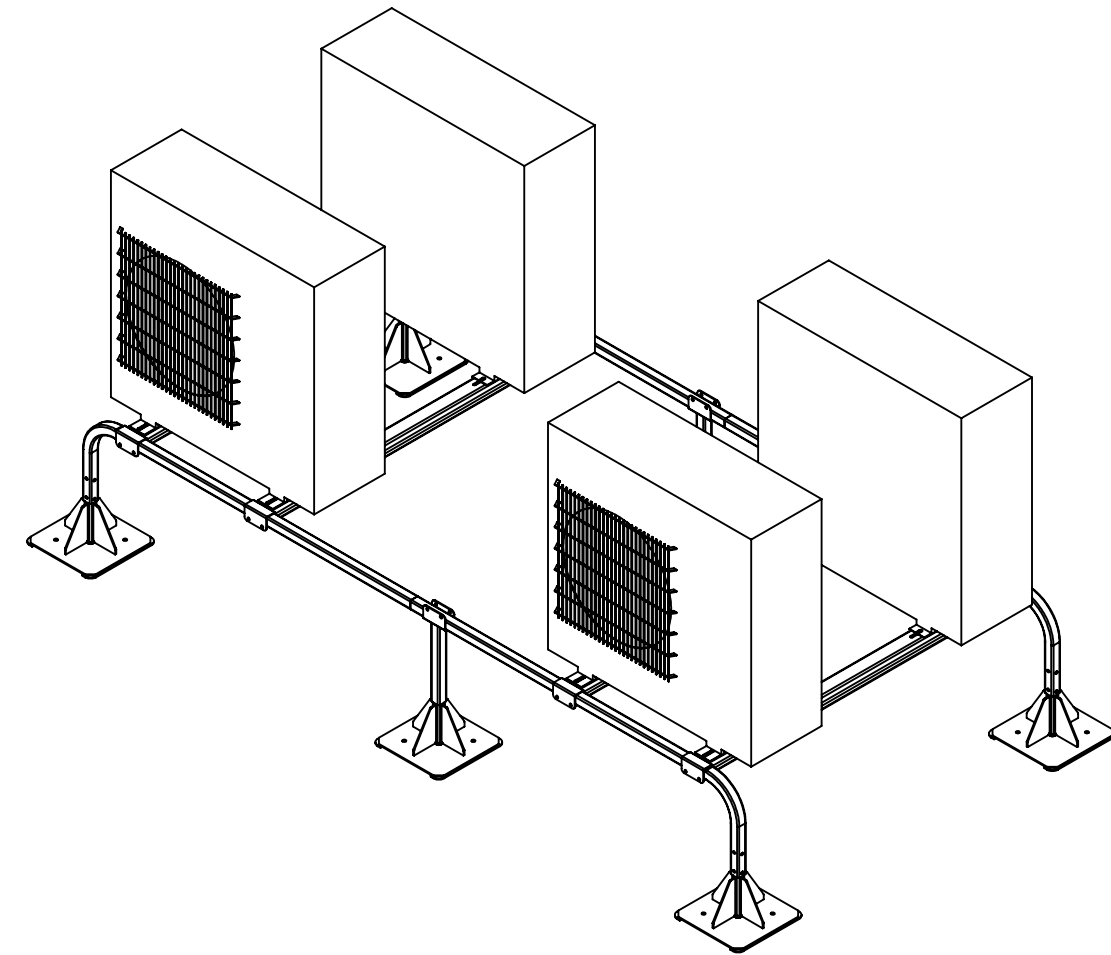
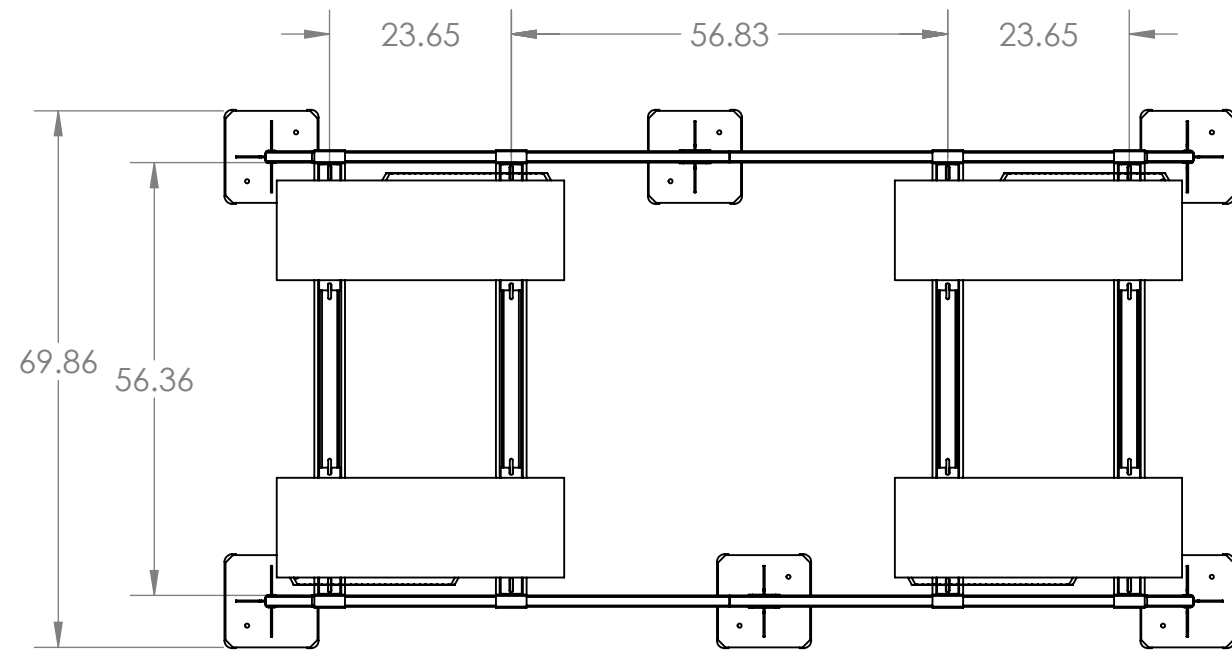


NOTE:
 UNIT DISPLAYED IS
 MITSUBISHI PUZ-A24NHA7(-BS)
 RAILS CAN ADJUST TO FIT
 MULTIPLE MODELS

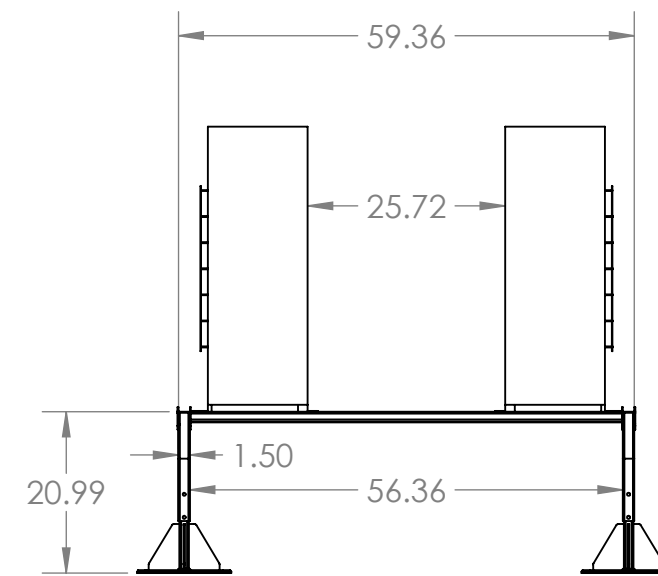
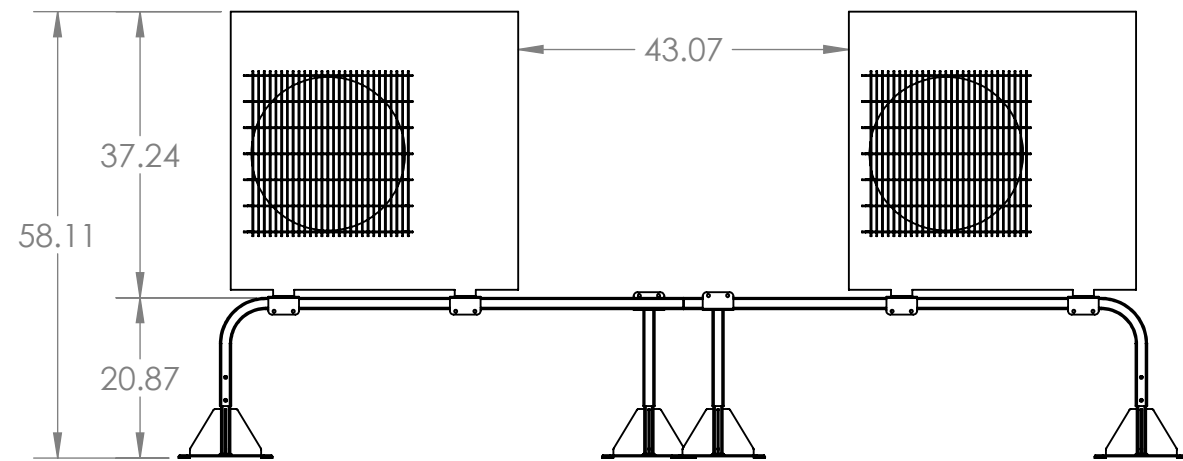


**THREE (3) MINI SPLIT
 CONFIGURATION**

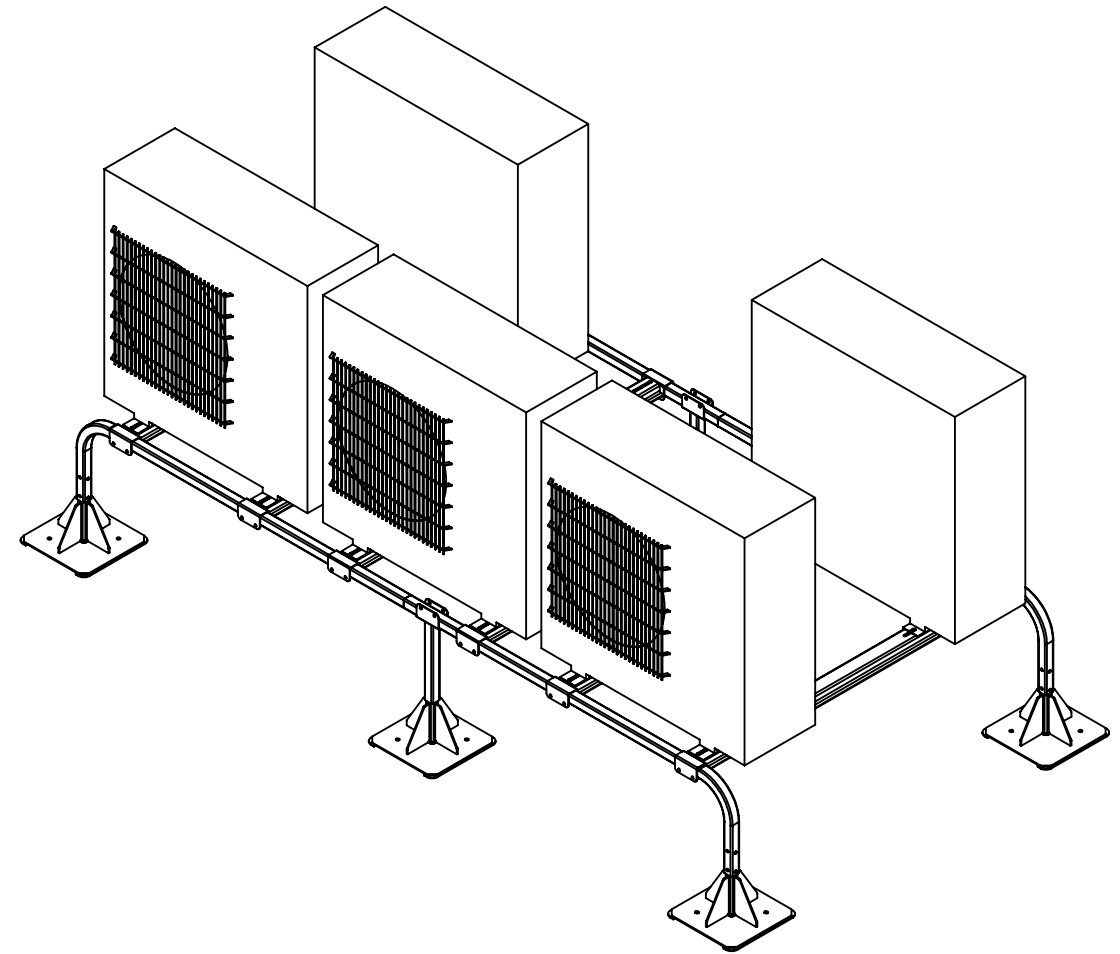
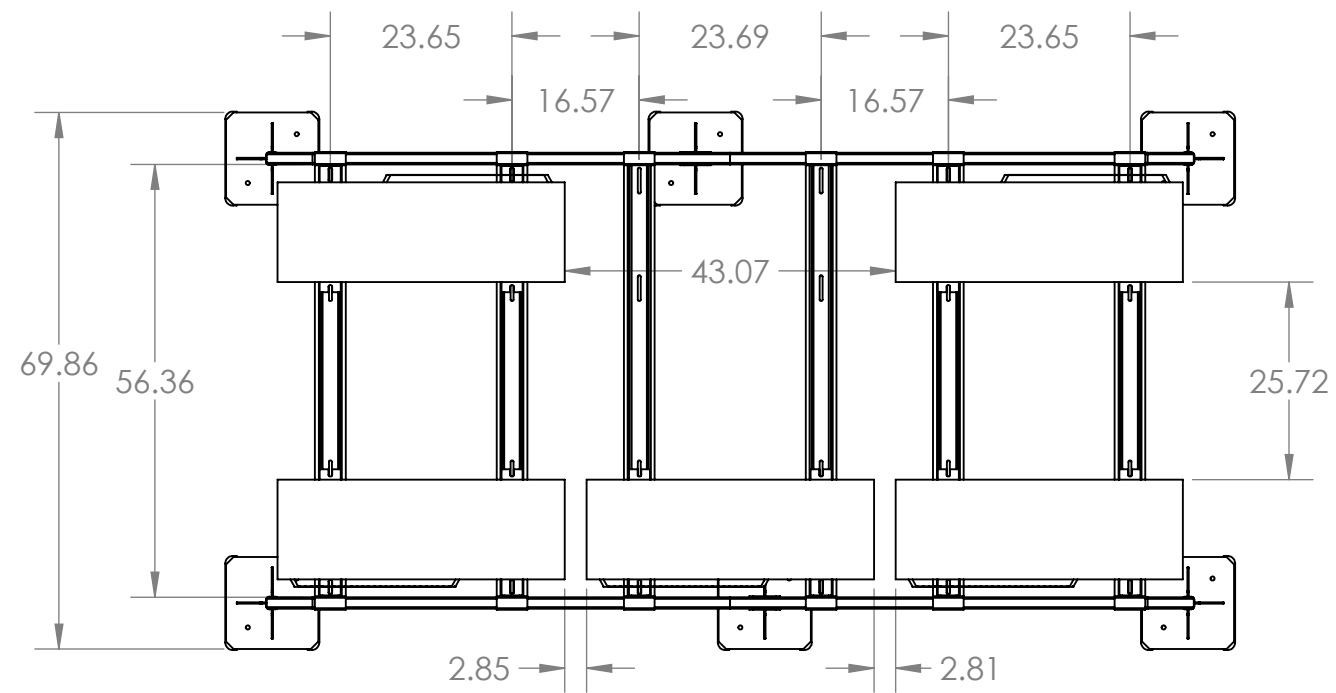




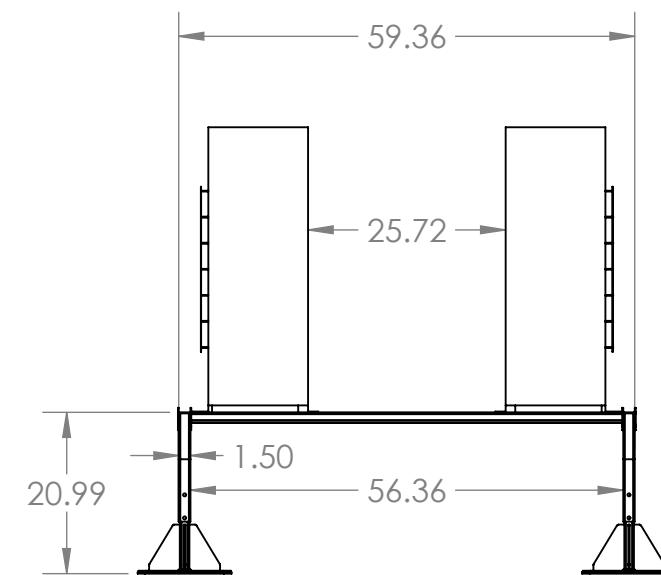
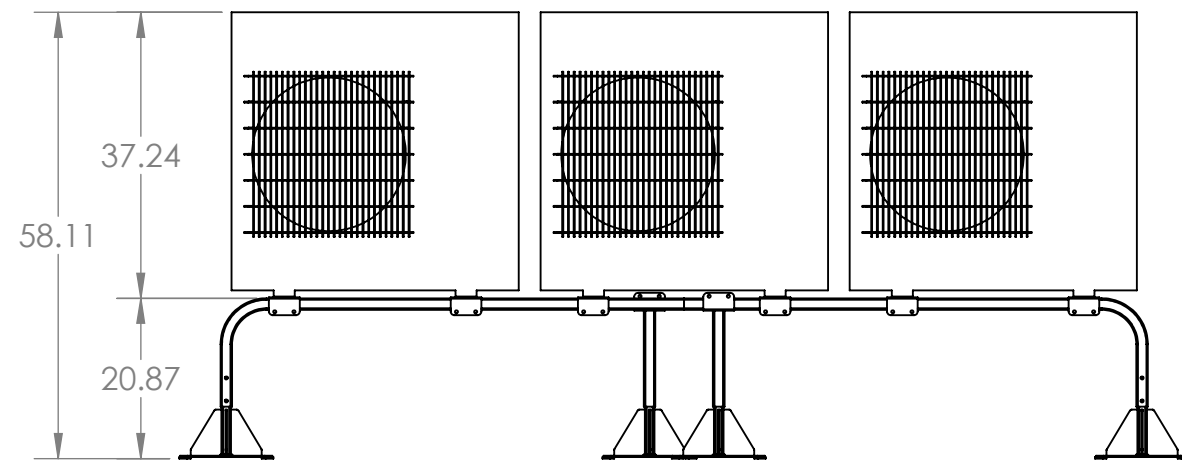
NOTE:
 UNIT DISPLAYED IS
 MITSUBISHI PUZ-A24NHA7(-BS)
 RAILS CAN ADJUST TO FIT
 MULTIPLE MODELS



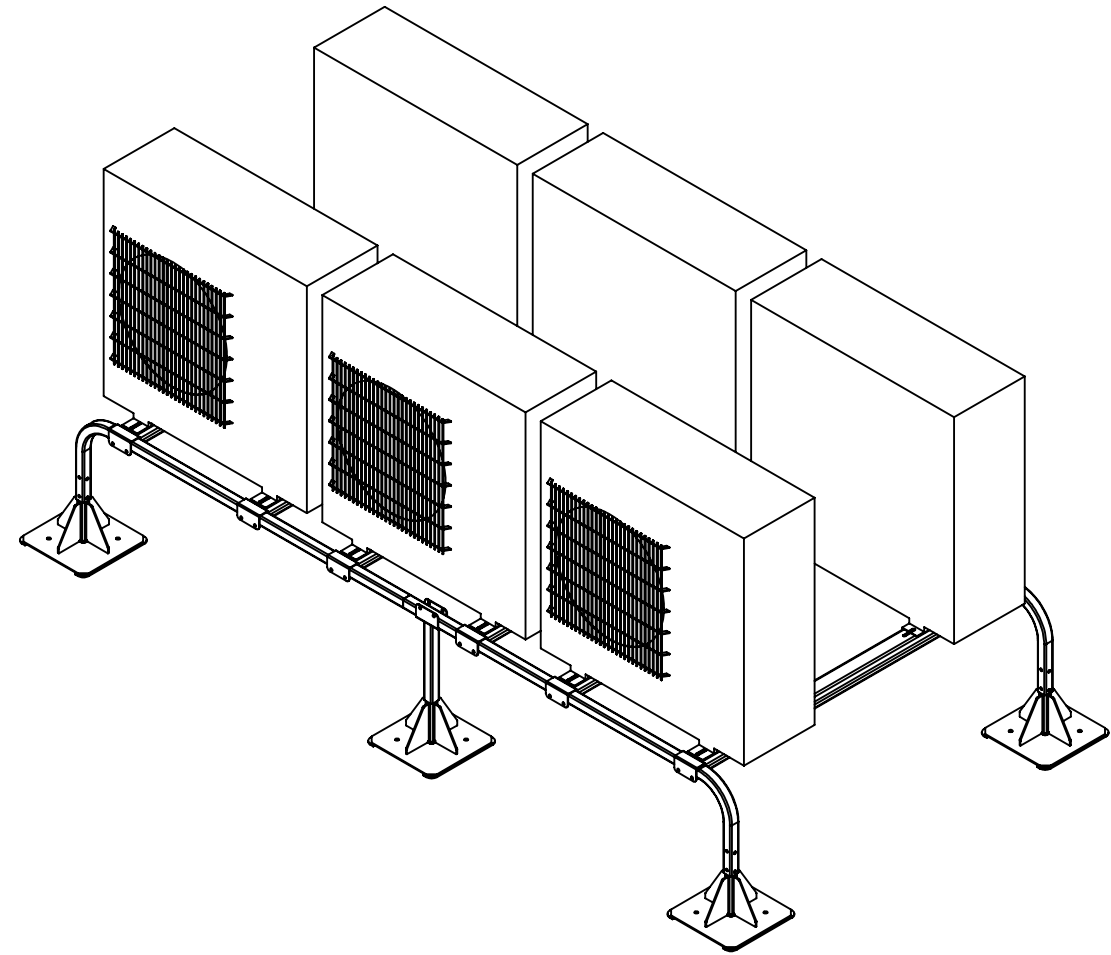
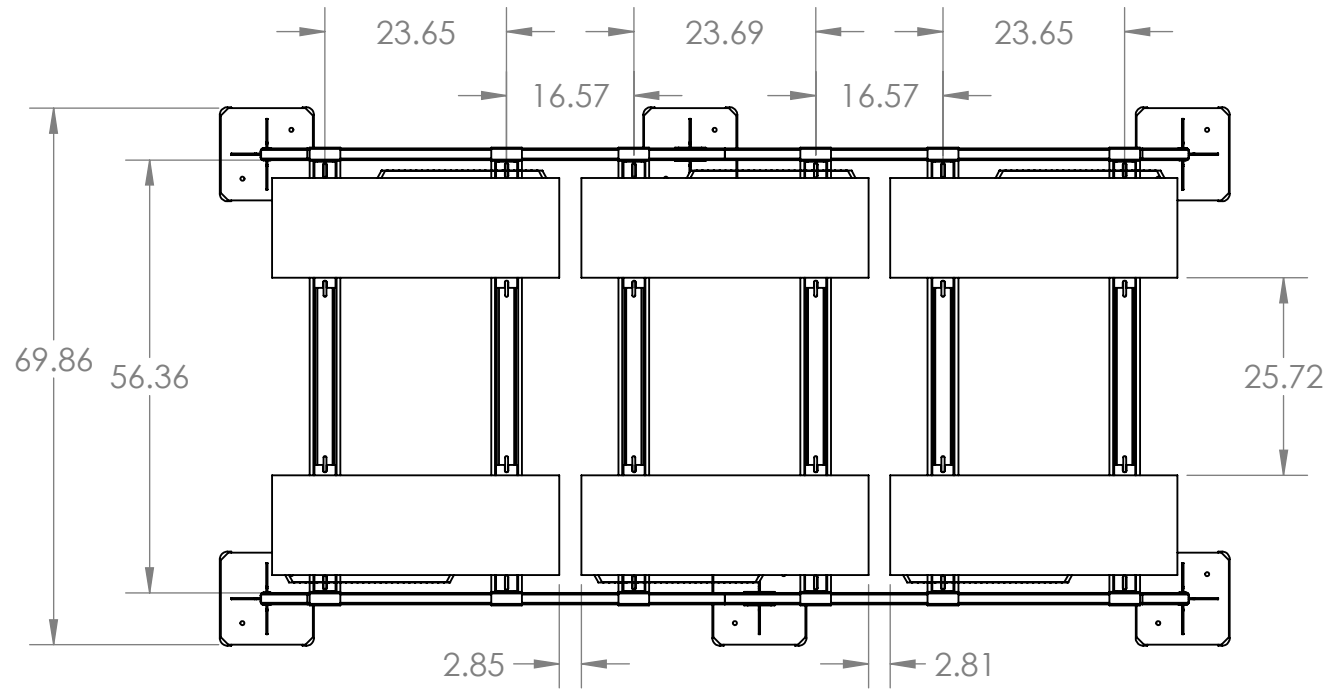
**FOUR (4) MINI SPLIT
 CONFIGURATION**



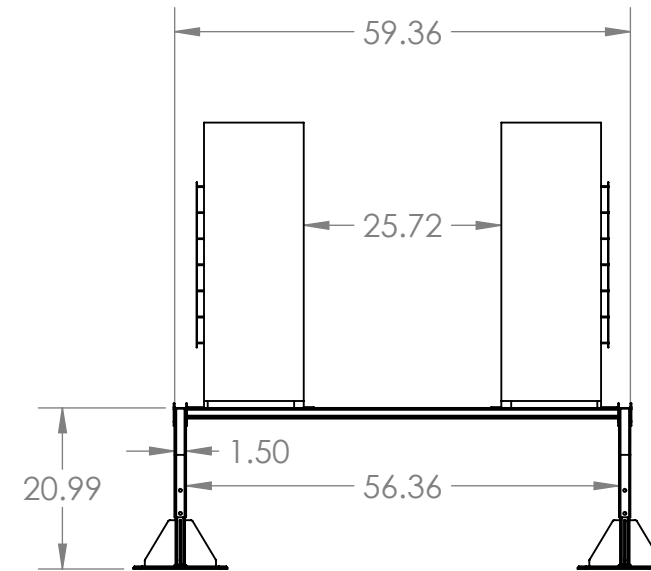
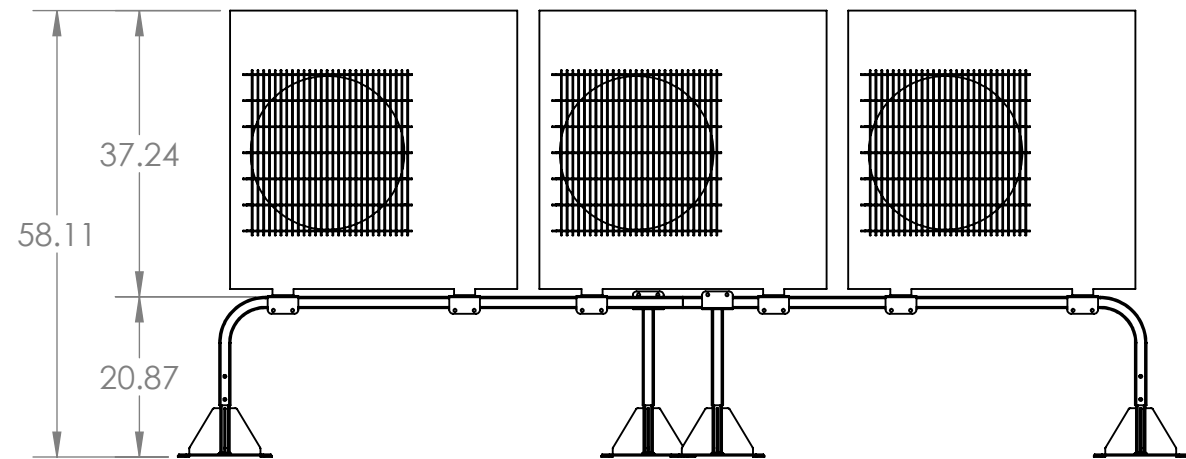
NOTE:
 UNIT DISPLAYED IS
 MITSUBISHI PUZ-A24NHA7(-BS)
 RAILS CAN ADJUST TO FIT
 MULTIPLE MODELS



**FIVE (5) MINI SPLIT
 CONFIGURATION**



NOTE:
 UNIT DISPLAYED IS
 MITSUBISHI PUZ-A24NHA7(-BS)
 RAILS CAN ADJUST TO FIT
 MULTIPLE MODELS



**SIX (6) MINI SPLIT
 CONFIGURATION**