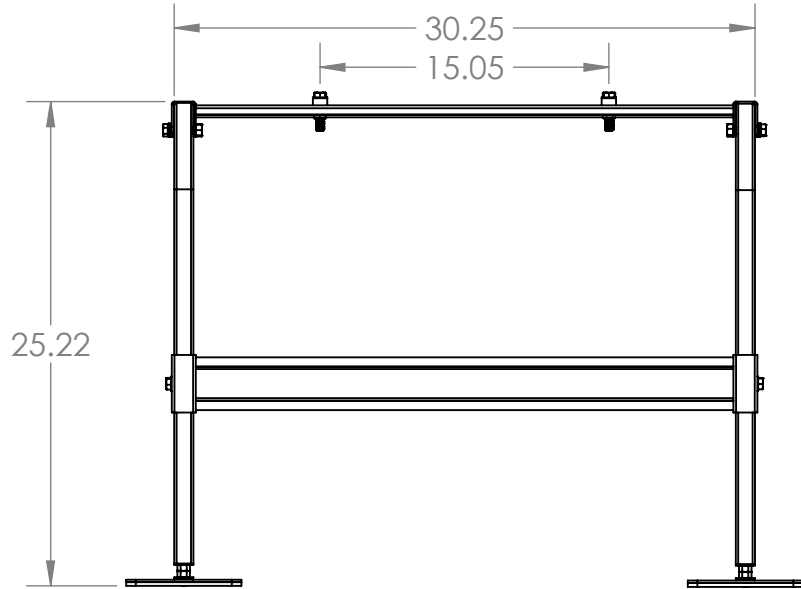
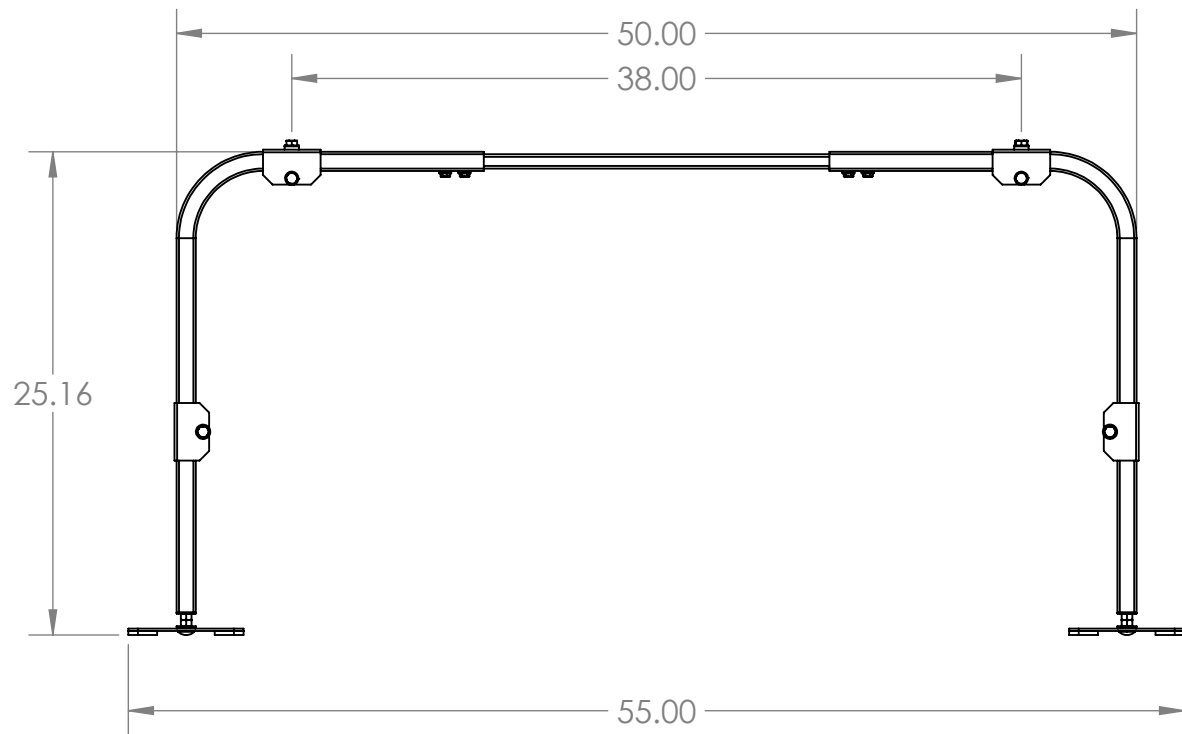


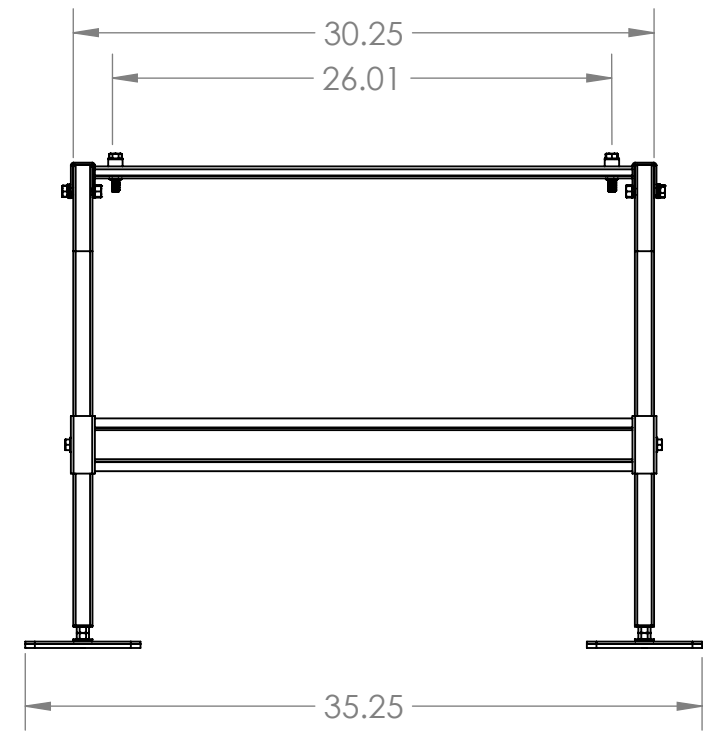
SIDE VIEW RETRACTED



END VIEW RETRACTED



SIDE VIEW EXPANDED



END VIEW EXPANDED

ALL DRAWINGS AND WRITTEN MATERIAL CONTAINED HEREIN ARE THE PROPERTY OF DIVERSITECH CORP AND MAY NOT BE DUPLICATED OR DISCLOSED AT ANY TIME UNLESS APPROVED IN WRITING BY DIVERSITECH CORP

INTERPRET THIS DRAWING IN ACCORDANCE WITH ASME Y14.5-2009 DIMENSIONING AND TOLERANCING STANDARDS

NOTES:

MATERIAL: SEE NOTES
FINISH: SEE NOTES
DO NOT SCALE

THIRD ANGLE PROJECTION

| | | | |
|--------------------|--|-------|-----------|
| DIVERSITECH | | NAME | DATE |
| | | DRAWN | 29 Mar 19 |
| ENG APPR. | | | |
| MFG APPR. | | | |

| | | |
|---------------------|------------|--------------|
| TITLE | | SIZE |
| QSMS2405 w/ 2 rails | | B |
| DRAWING NUMBER | REVISION | |
| QSMS2404 | A | |
| SCALE: 1:2 | WT. (lbs): | SHEET 1 OF 2 |

6 5 4 3 2 1

D

D

C

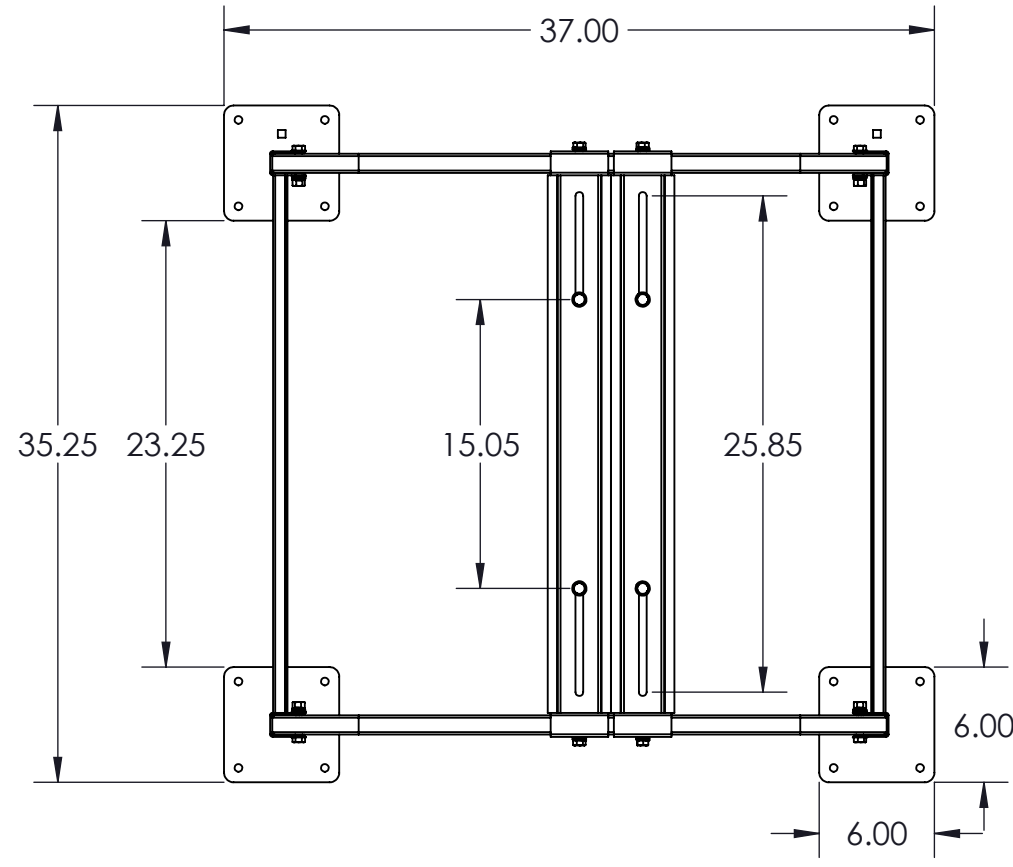
C

B

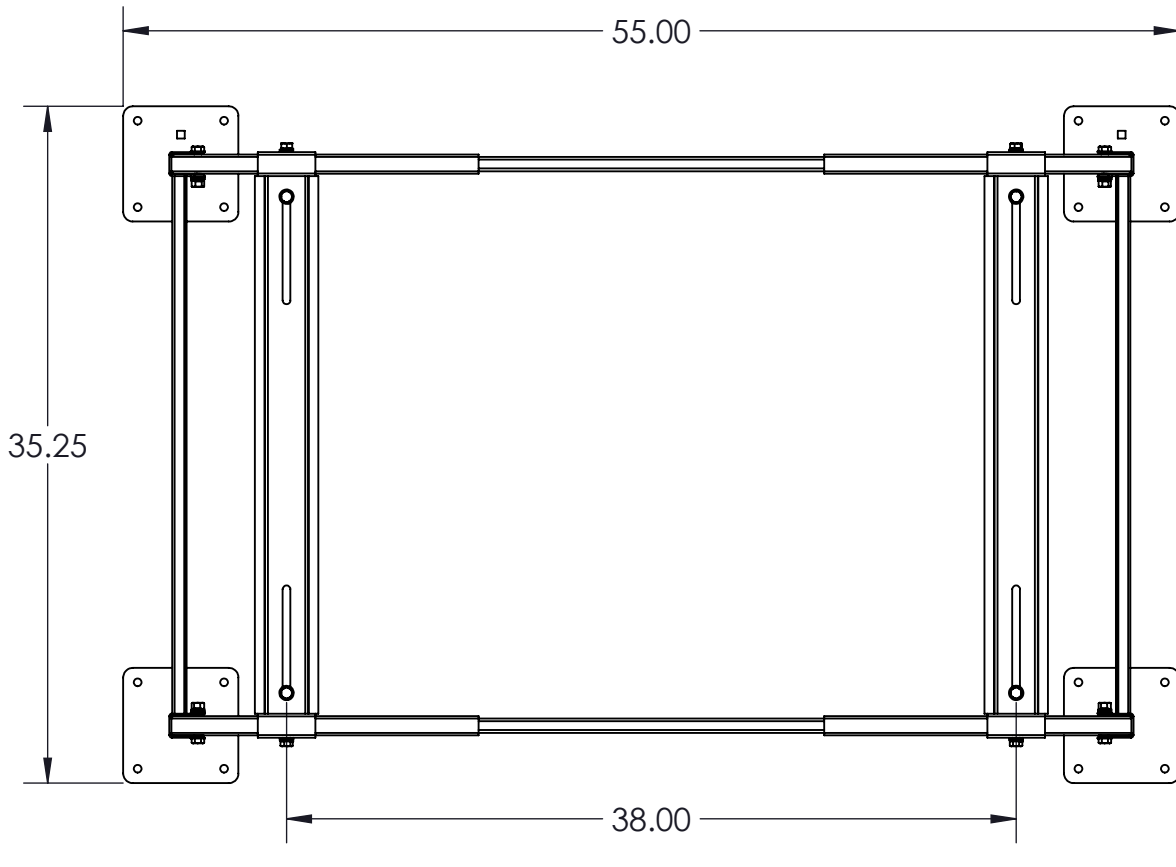
B

A

A



TOP VIEW RETRACTED



TOP VIEW EXPANDED

ALL DRAWINGS AND WRITTEN MATERIAL CONTAINED HEREIN ARE THE PROPERTY OF DIVERSITECH CORP AND MAY NOT BE DUPLICATED OR DISCLOSED AT ANY TIME UNLESS APPROVED IN WRITING BY DIVERSITECH CORP

INTERPRET THIS DRAWING IN ACCORDANCE WITH ASME Y14.5-2009 DIMENSIONING AND TOLERANCING STANDARDS

NOTES:

MATERIAL: SEE NOTES
FINISH: SEE NOTES
DO NOT SCALE

THIRD ANGLE PROJECTION

DIVERSITECH

| | |
|-----------|-----------|
| NAME | DATE |
| DRAWN | 29 Mar 19 |
| ENG APPR. | |
| MFG APPR. | |

| | | |
|---------------------|------------|--------------|
| TITLE | | SIZE |
| QSMS2405 w/ 2 rails | | B |
| DRAWING NUMBER | REVISION | |
| QSMS2404 | A | |
| SCALE: 1:2 | WT. (lbs): | SHEET 2 OF 2 |

6 5 4 3 2 1