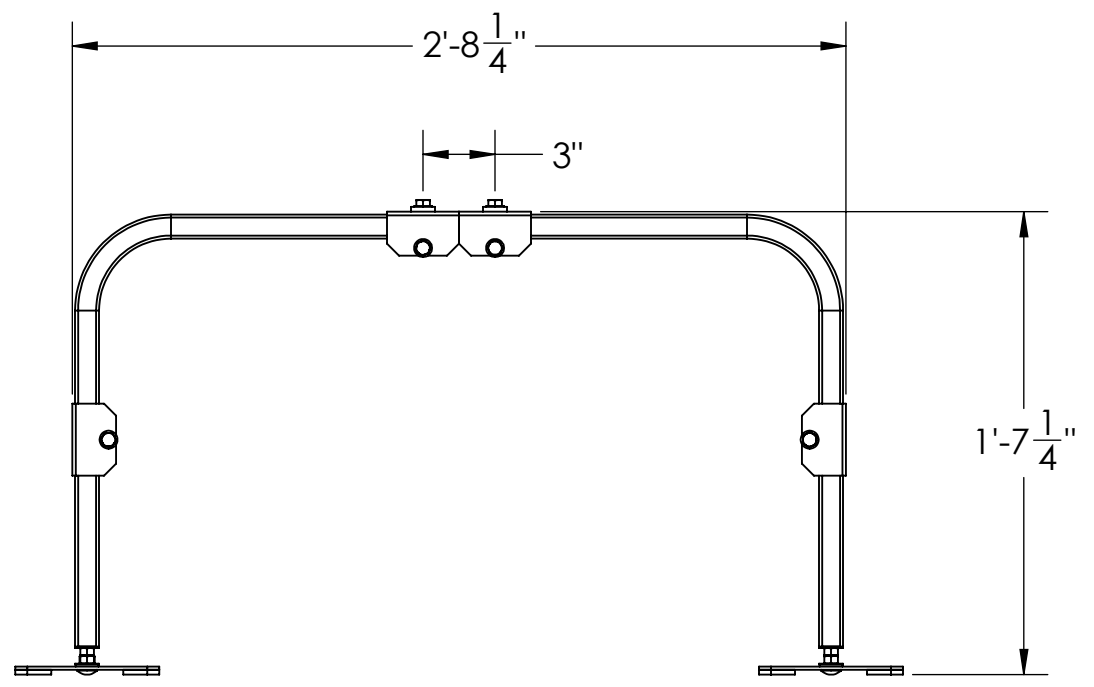


4

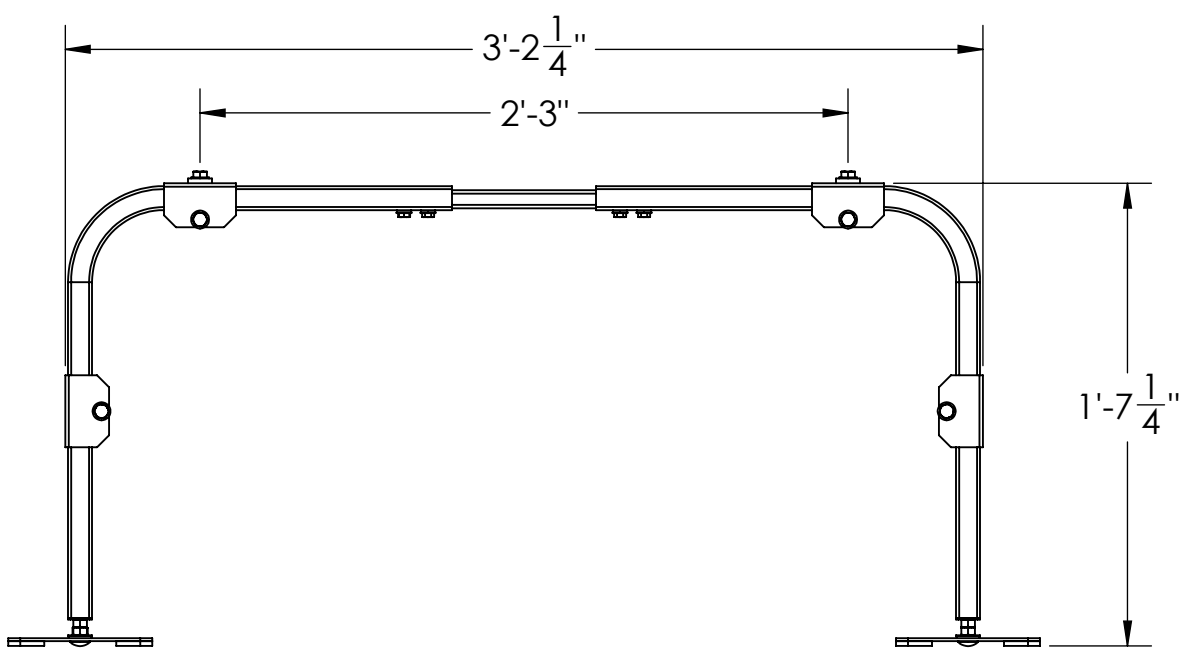
3

2

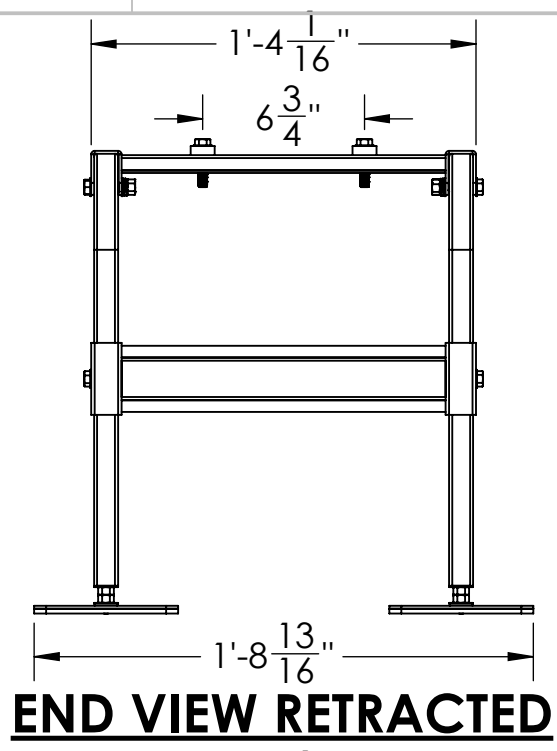
1



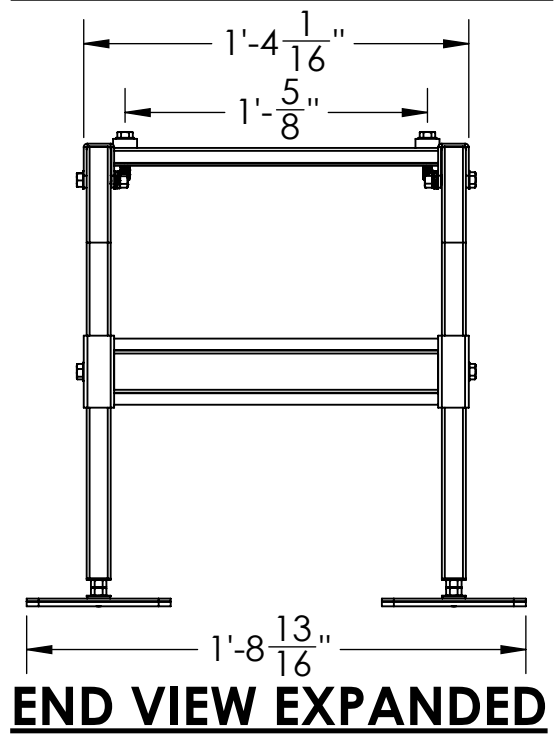
**SIDE VIEW RETRACTED**



**SIDE VIEW EXPANDED**



**END VIEW RETRACTED**



**END VIEW EXPANDED**

(\* ) - WIDTH IS ADJUSTABLE IN 1" INCREMENTS

**IMPORTANT NOTE: THE INSTALLER IS RESPONSIBLE FOR THETHERING AND BOLTING UNITS TO WITHSTAND WIND AND/OR SEISMIC LOADS.**

UNLESS OTHERWISE SPECIFIED:  
 DIMENSIONS ARE IN INCHES [MILLIMETERS]  
 TOLERANCES ARE: ANGLES ±1.0°  
 FRACTIONAL SIZES X/Y ±1/64

INCHES	[MILLIMETERS]
X = ±0.1	[ X = ± 2.5 ]
.XX = ±0.01	[ .X = ± 1.3 ]
.XXX = ±0.005	[ .XX = ±0.13 ]

THIRD ANGLE PROJECTION



CONFIDENTIAL - PROPRIETARY - DO NOT COPY  
 THE INFORMATION SET FORTH IN THIS DOCUMENT AND RELATED INFORMATION IS THE CONFIDENTIAL PROPERTY OF DIVERSITECH CORPORATION, AND IS NOT TO BE COPIED OR REPRODUCED OR DISTRIBUTED IN ANY FORM WITHOUT PRIOR WRITTEN PERMISSION FROM DIVERSITECH CORPORATION.  
 DO NOT SCALE DRAWING

MATERIAL:  
 DWG. NO. MINI SPLIT STAND - 1800  
 MODEL NO. QSMS1800

WEIGHT  
 GMS.  
 REV.  
**A0**  
 SHEET  
 122

4

3

2

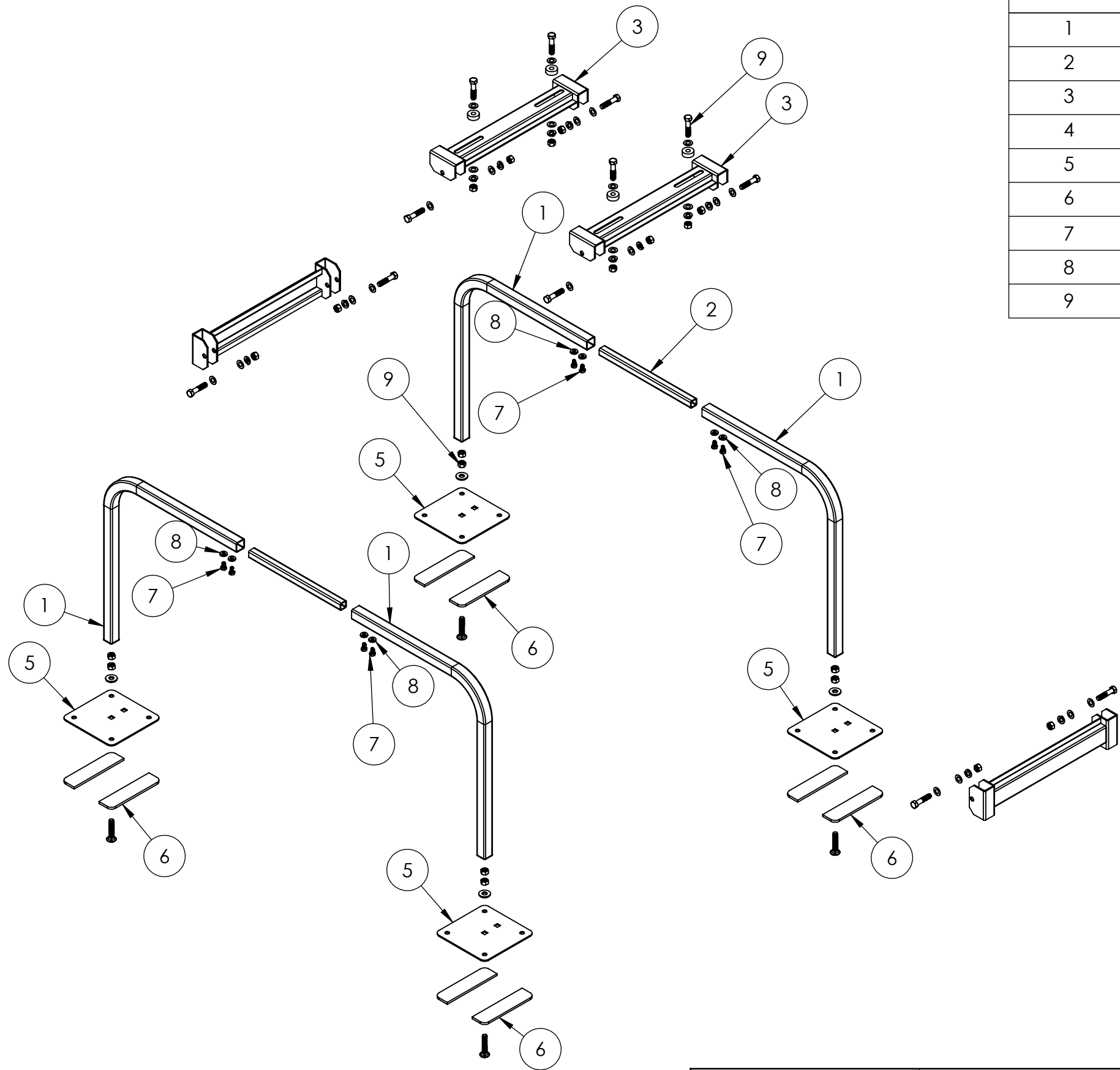
1

B

B

A

A



ITEM NO.	PART NUMBER	DESCRIPTION	Default/ QTY.
1	MS110	Mini Split 18in J-Bar	4
2	MS106	Mini Split Extension Bar	2
3	MS128	Short Mini Split Arm	2
4	MS113	Mini Split Wide Stability Arm	2
5	MS105	Mini Split 6x6 Feet	4
6	QSR042	Mini Split Rubber Foot	8
7	QSR008	1/4-20x1/2in Zinc Hex Bolt	8
8	QSR015	1/4in Bonded Washers	8
9	HDKMS05	Hardware kit for QSMS1802, 2402	1

NOTE - ALL ASSEMBLY HARDWARE IS INCLUDED

UNLESS OTHERWISE SPECIFIED:  
 DIMENSIONS ARE IN INCHES [MILLIMETERS]  
 TOLERANCES ARE: ANGLES ±1.0°  
 FRACTIONAL SIZES X/Y ±1/64

INCHES	[MILLIMETERS]
X = ±0.1	[ X = ± 2.5 ]
.XX = ±0.01	[ .X = ± 1.3 ]
.XXX = ±0.005	[ .XX = ±0.13 ]

THIRD ANGLE PROJECTION



CONFIDENTIAL - PROPRIETARY - DO NOT COPY THE INFORMATION SET FORTH IN THIS DOCUMENT AND RELATED INFORMATION IS THE CONFIDENTIAL PROPERTY OF DIVERSITECH CORPORATION, AND IS NOT TO BE COPIED OR REPRODUCED OR DISTRIBUTED IN ANY FORM WITHOUT PRIOR WRITTEN PERMISSION FROM DIVERSITECH CORPORATION. DO NOT SCALE DRAWING	MATERIAL: DWG. NO. MINI SPLIT STAND - 1800 MODEL NO. QSMS1800	WEIGHT GMS. REV. <b>A0</b> SHEET <b>22</b>
	DESCRIPTION	