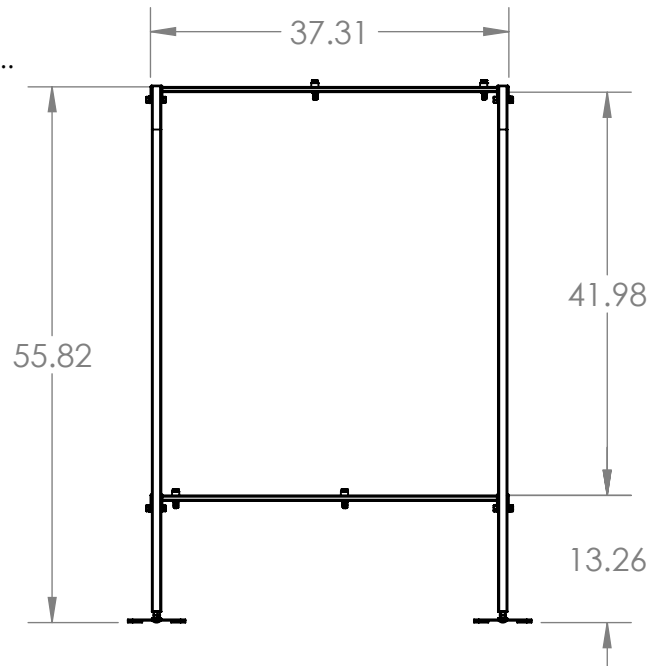
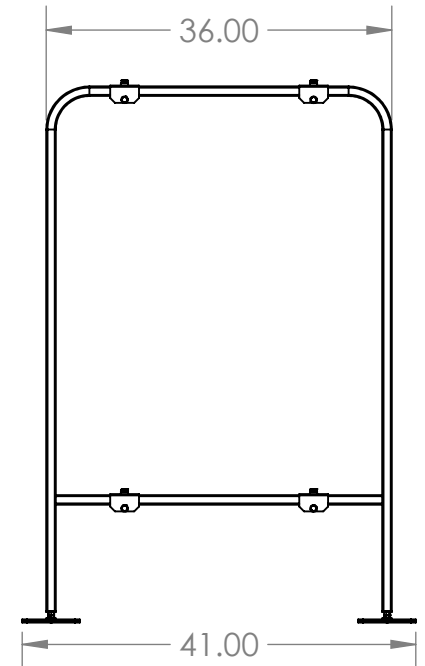


NOTES
 MATERIAL:
 COLOR:
 TEXTURE:
 NOTES HERE....

REVISIONS					
REV	ZONE	DESCRIPTION	EC	NAME	DATE
A01		INITIAL RELEASE			25 Jun 18

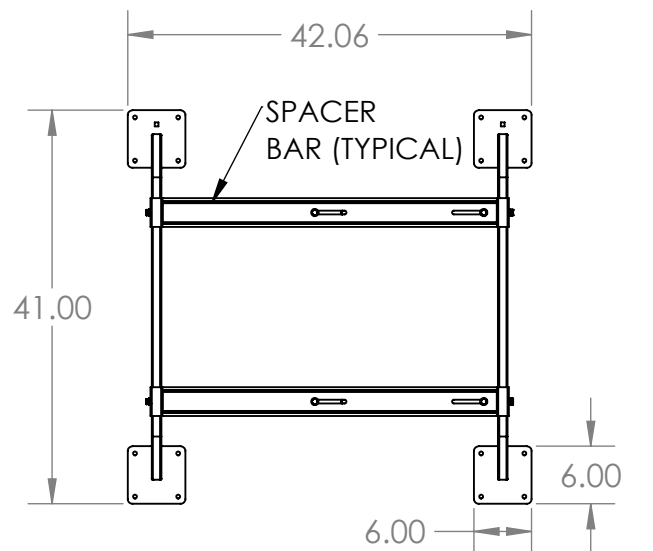
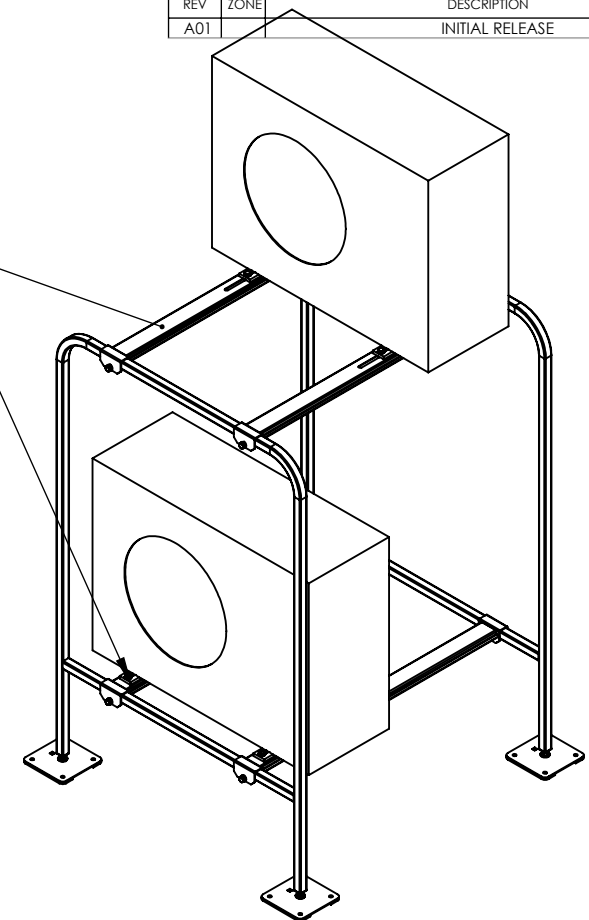


END VIEW

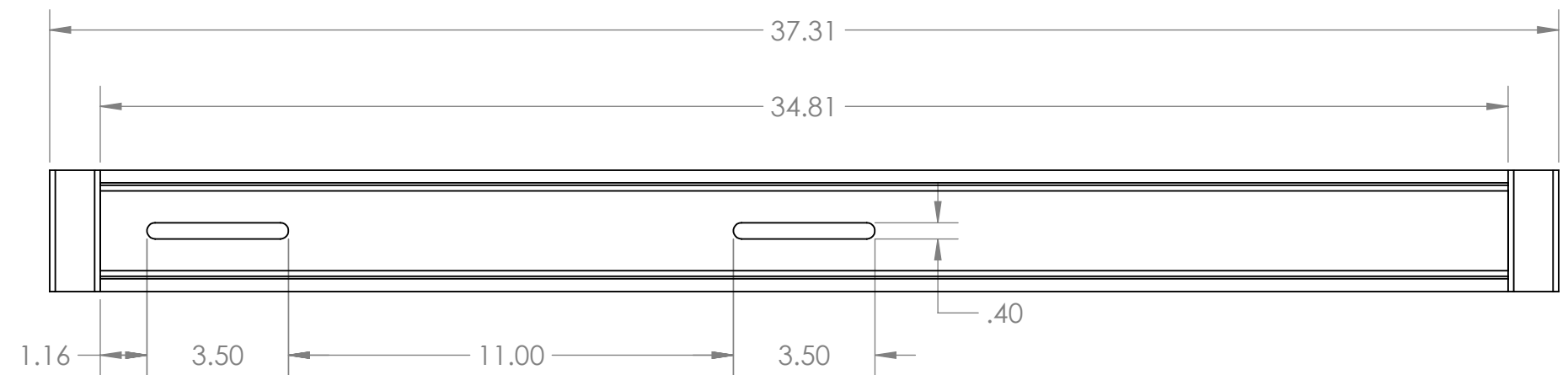


SIDE VIEW

TOP & BOTTOM SLOT
PATTERN ALTERNATE



PLAN VIEW



MATERIAL: SEE NOTES
 FINISH: SEE NOTES



ALL DRAWINGS AND WRITTEN MATERIAL
 CONTAINED HEREIN ARE THE PROPERTY
 OF DIVERSITECH AND MAY NOT BE
 DUPLICATED OR DISCLOSED AT ANY TIME
 UNLESS APPROVED IN WRITING BY
 DIVERSITECH

	NAME	DATE
DRAWN		25 Jun 18
CHECKED		
ENG APPR.		
MFG APPR.		
Q.A.		

UNLESS OTHERWISE SPECIFIED
 DIMENSIONS ARE IN (INCHES)/MM
 TOLERANCES IN MM

ANGULAR MACH	±0.25°
ANGULAR BEND	±1°
	X. ±2
	X.X ±0.1
	X.XX ±0.02
	X.XXX N/A

TITLE: QSMS1203

SIZE	DRAWING NUMBER	REV
B	QSMS1203	A01
SCALE: 1:50	WEIGHT (lbs):	SHEET 1 OF 1