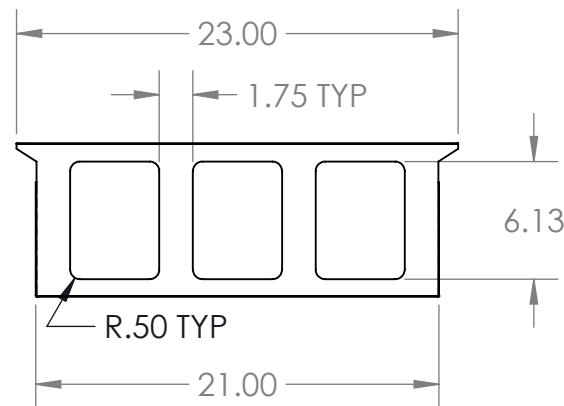
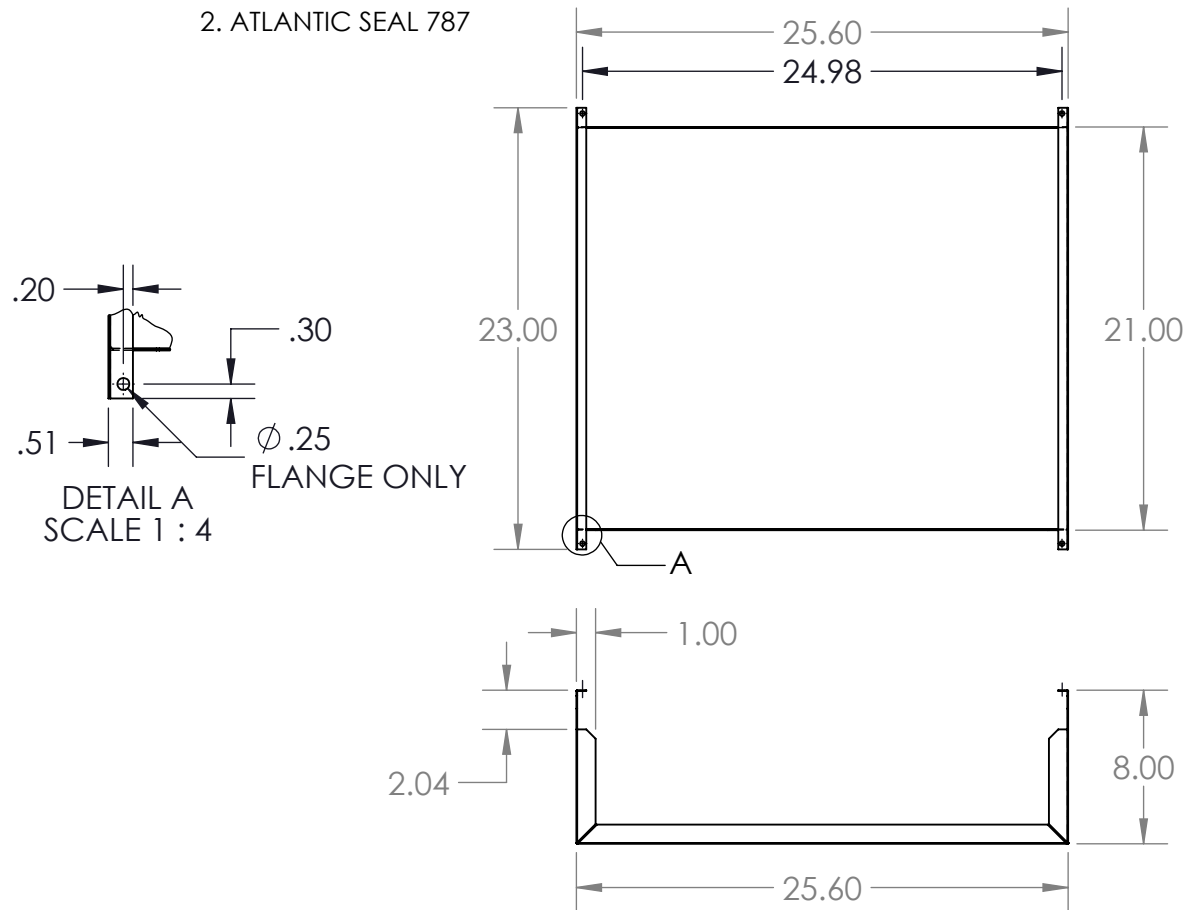
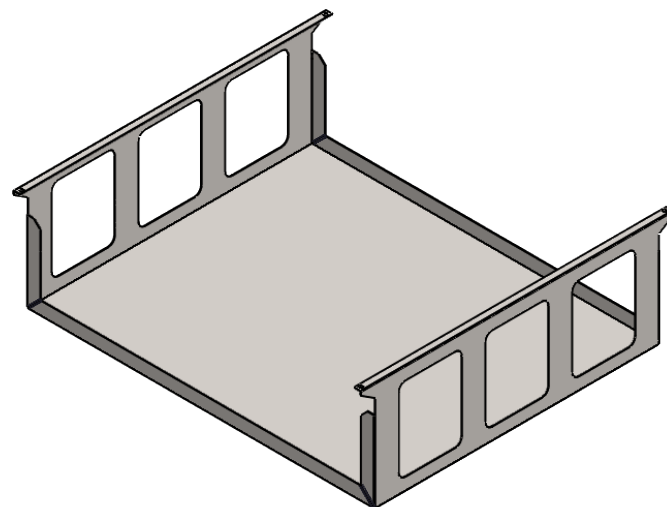


**NOTES**

MATERIAL: 20 ga SHEET STEEL  
 COLOR: RAL7044  
 TEXTURE: POWDER COAT  
 OTHER NOTES: PRE-TREAT  
 1. ATLANTIC KLEEN 643  
 2. ATLANTIC SEAL 787



ALL DRAWINGS AND WRITTEN MATERIAL CONTAINED HEREIN ARE THE PROPERTY OF DIVERSITECH CORP AND MAY NOT BE DUPLICATED OR DISCLOSED AT ANY TIME UNLESS APPROVED IN WRITING BY DIVERSITECH CORP

UNLESS OTHERWISE SPECIFIED DIMENSIONS & TOLERANCES ARE IN INCHES / [mm]

MATERIAL: SEE NOTES  
 FINISH: SEE NOTES



TITLE

SIZE

WIND BAFFLE 25.6"

**A**

\*DO NOT SCALE\*

THIRD ANGLE PROJECTION



	NAME	DATE
DRAWN	dschlender	5 Feb 18
ENG APPR.		
MFG APPR.		

DRAWING NUMBER

REVISION

**QSBF-PA03**

SCALE: 1:10

WT. (lbs): 8.0

SHEET 1 OF 1

INTERPRET THIS DRAWING IN ACCORDANCE WITH ASME Y14.5-2009 DIMENSIONING AND TOLERANCING STANDARDS

ANG. MACH.	±0.25°	
ANG. BEND	±1°	
DECIMALS	INCHES	[mm]
X	±0.1	±2
X.X	±0.05	±0.1
X.XX	±0.005	±0.02
X.XXX	±0.002	±N/A