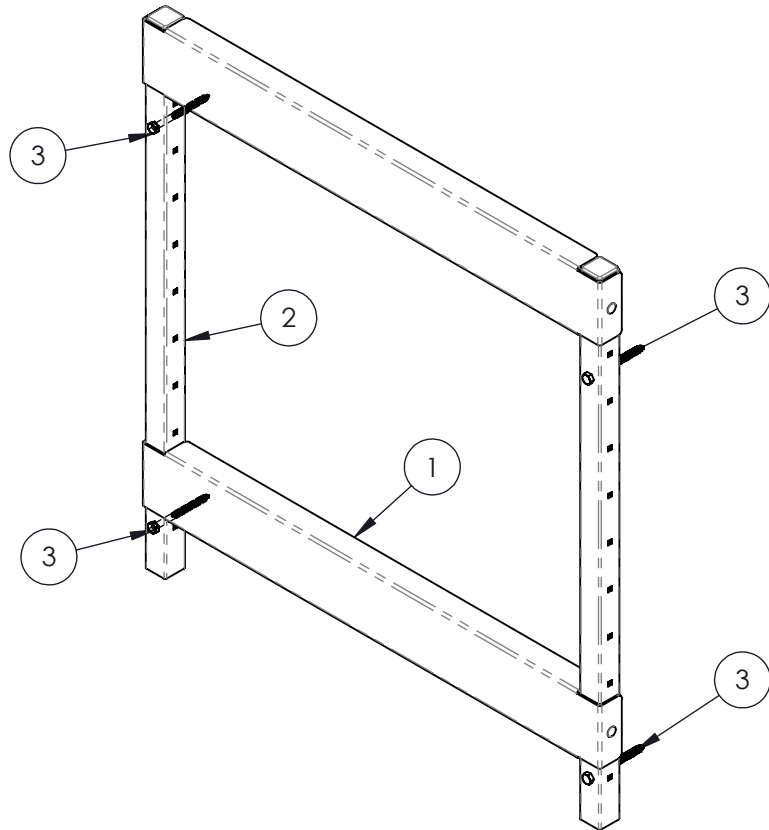
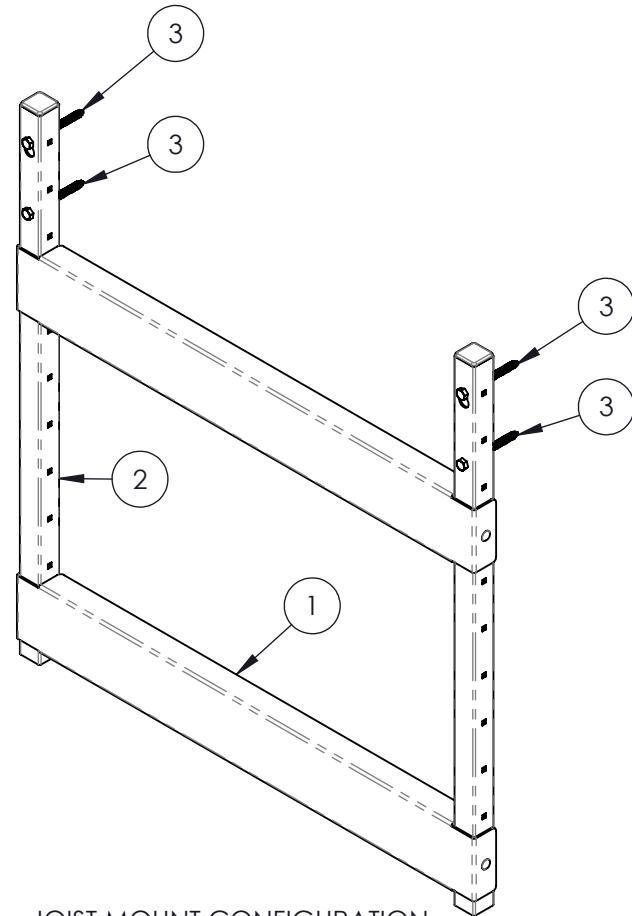


ITEM NO.	DRAWING NUMBER	PART NUMBER	Description	Wall/QTY.
1	DT1001691	BB302	Boiler Bracket (Hanging) Horz Beam	2
2	DT1001745	BB303	QSBB3000 POST SUBASSY	2
3	DT1001747	HDKBB03	QSBB3000 HARDWARE KIT	1

ALL DRAWINGS AND WRITTEN MATERIAL CONTAINED HEREIN ARE THE PROPERTY OF DIVERSITECH CORP AND MAY NOT BE DUPLICATED OR DISCLOSED AT ANY TIME UNLESS APPROVED IN WRITING BY DIVERSITECH CORP INTERPRET THIS DRAWING IN ACCORDANCE WITH ASME Y14.5-2009 DIMENSIONING AND TOLERANCING STANDARDS	UNLESS OTHERWISE SPECIFIED DIMENSIONS & TOLERANCES ARE IN INCHES / [mm]			MATERIAL: SEE NOTES FINISH: SEE NOTES *DO NOT SCALE* THIRD ANGLE PROJECTION			TITLE		SIZE
	ANG. MACH.	±0.25°					QSFB Assembly (Wall)		A
	ANG. BEND	±1°			DRAWING NUMBER		REVISION		
	DECIMALS	INCHES	[mm]	DRAWN	NAME	DATE	DT1001695		A02
	X	±0.1	±2	ENG APPR.			SCALE: 1:15		WT. (lbs): 29.49
	X.X	±0.05	±0.1	MFG APPR.			SHEET 1 OF 2		
	X.XX	±0.005	±0.02						
	X.XXX	±0.002	±N/A						



WALL MOUNT CONFIGURATION



JOIST MOUNT CONFIGURATION

ALL DRAWINGS AND WRITTEN MATERIAL CONTAINED HEREIN ARE THE PROPERTY OF DIVERSITECH CORP AND MAY NOT BE DUPLICATED OR DISCLOSED AT ANY TIME UNLESS APPROVED IN WRITING BY DIVERSITECH CORP

UNLESS OTHERWISE SPECIFIED DIMENSIONS & TOLERANCES ARE IN INCHES / [mm]

MATERIAL: SEE NOTES
FINISH: SEE NOTES



TITLE

SIZE

QSF Assembly (Wall)

A

DO NOT SCALE

ANG. MACH.	±0.25°		
ANG. BEND	±1°		
DECIMALS	INCHES	[mm]	

THIRD ANGLE PROJECTION



NAME

DATE

DRAWING NUMBER

REVISION

DRAWN

dschlender

05 Jun 19

DT1001695

A02

ENG APPR.

MFG APPR.

SCALE: 1:10

WT. (lbs): 29.49

SHEET 2 OF 2

INTERPRET THIS DRAWING IN ACCORDANCE WITH ASME Y14.5-2009 DIMENSIONING AND TOLERANCING STANDARDS