

6

5

4

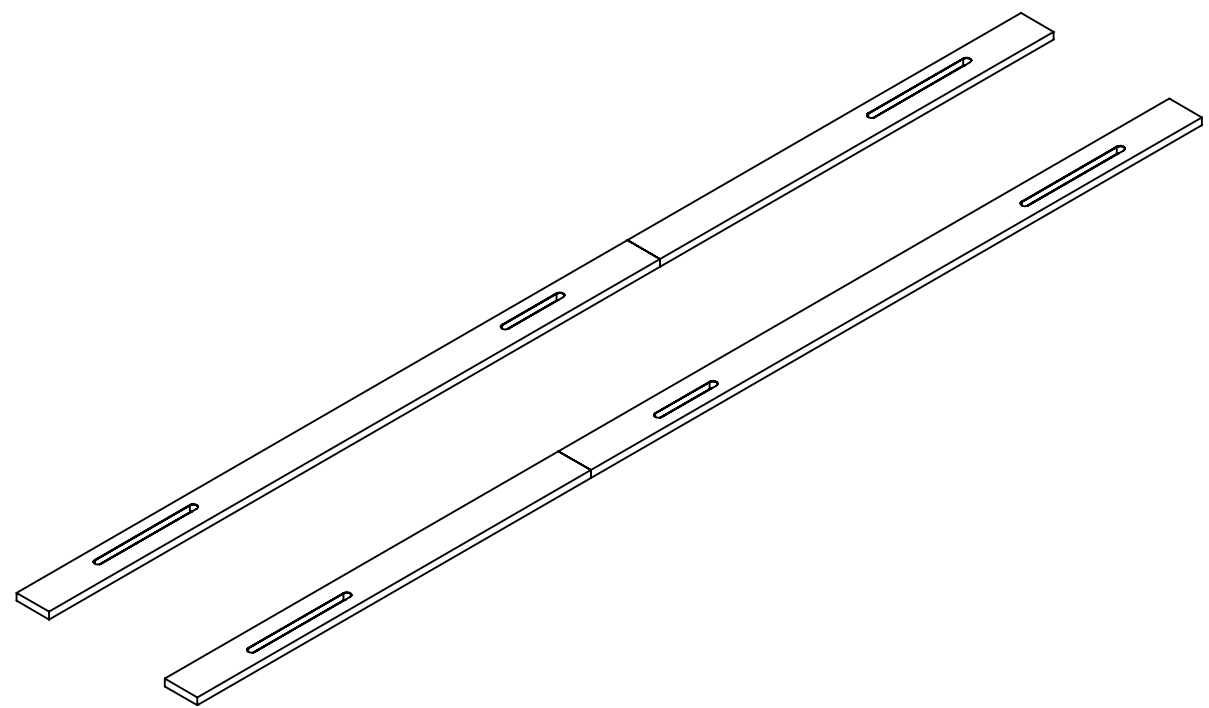
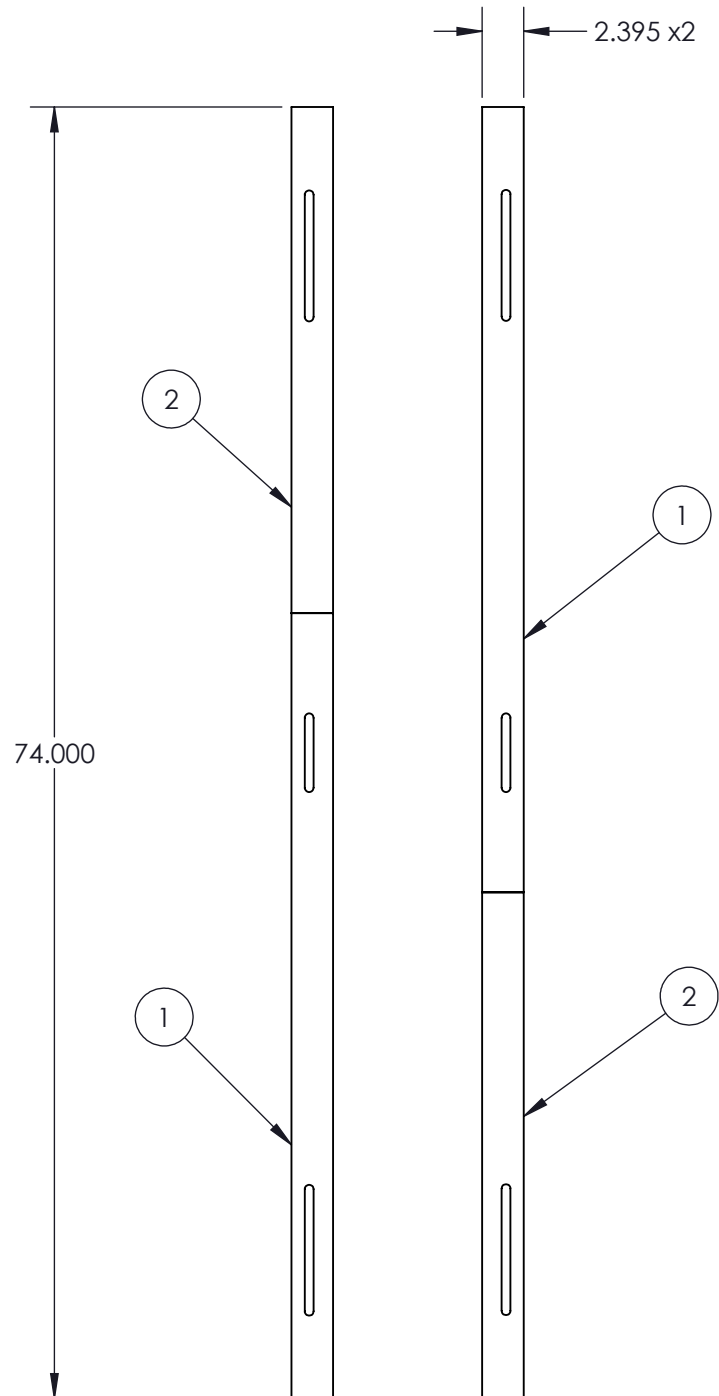
3

2

1

***ALL DIMENSIONS SHOWN ARE FINAL DIMENSIONS POST DIP**

REVISIONS				
REV.	DESCRIPTION	DRAWN BY	APPR BY	APPR DATE



ITEM NO.	PART NUMBER	DESCRIPTION	QTY.
1	AC523	VIBRATION ISOLATION KIP-RT FOR SS274 PART 1	2
2	AC524	VIBRATION ISOLATION KIP-RT FOR SS274 PART 2	2

ALL DRAWINGS AND WRITTEN MATERIAL CONTAINED HEREIN ARE THE PROPERTY OF DIVERSITECH CORP AND MAY NOT BE DUPLICATED OR DISCLOSED AT ANY TIME UNLESS APPROVED IN WRITING BY DIVERSITECH CORP INTERPRET THIS DRAWING IN ACCORDANCE WITH ASME Y14.5-2009 DIMENSIONING AND TOLERANCING STANDARDS	UNLESS OTHERWISE SPECIFIED DIMENSIONS & TOLERANCES ARE IN INCHES		DEBURR ALL SHARP EDGES *DO NOT SCALE*		TITLE	SIZE
	DIM RANGE 0.02 - 0.12 0.12 - 0.24 0.24 - 1.18 1.18 - 4.72 4.72 - 15.75 15.75 - 39.4 39.4 +	TOLERANCE ±0.008 ±0.012 ±0.020 ±0.031 ±0.047 ±0.079 ±0.118			KIP-RT Kinetics Noise Control	
THIRD ANGLE PROJECTION 			DRAWN BY: apadilla CAD APPR.: DWG APPR.:	DATE: 8/28/2019	DRAWING NUMBER: QSAC5202 REVISION:	
					SCALE: 1:1	SHEET 1 OF 3

6

5

4

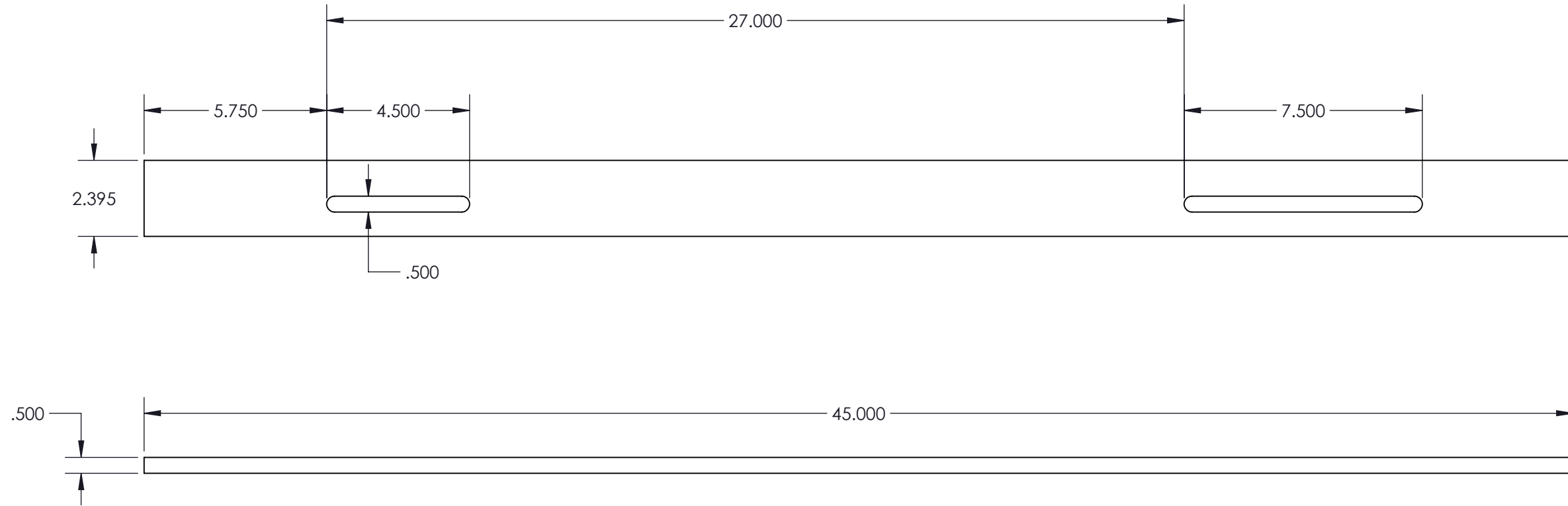
3

2

1

NOTES:

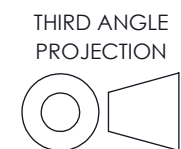
1. MATERIAL: FIBER GLASS
2. COLOR: GREEN OR BLACK
3. FINISH: CURED RESIN
4. LOAD: BEST IF USED BETWEEN 2.5 PSI AND 15 PSI



ALL DRAWINGS AND WRITTEN MATERIAL CONTAINED HEREIN ARE THE PROPERTY OF DIVERSITECH CORP AND MAY NOT BE DUPLICATED OR DISCLOSED AT ANY TIME UNLESS APPROVED IN WRITING BY DIVERSITECH CORP

INTERPRET THIS DRAWING IN ACCORDANCE WITH ASME Y14.5-2009 DIMENSIONING AND TOLERANCING STANDARDS

DEBURR ALL SHARP EDGES
DO NOT SCALE



TITLE			SIZE
AC523			B
DRAWN BY	NAME	DATE	DRAWING NUMBER
CAD APPR.			QSAC5202
DWG APPR.			REVISION
SCALE: 1:16			SHEET 2 OF 3

6

5

4

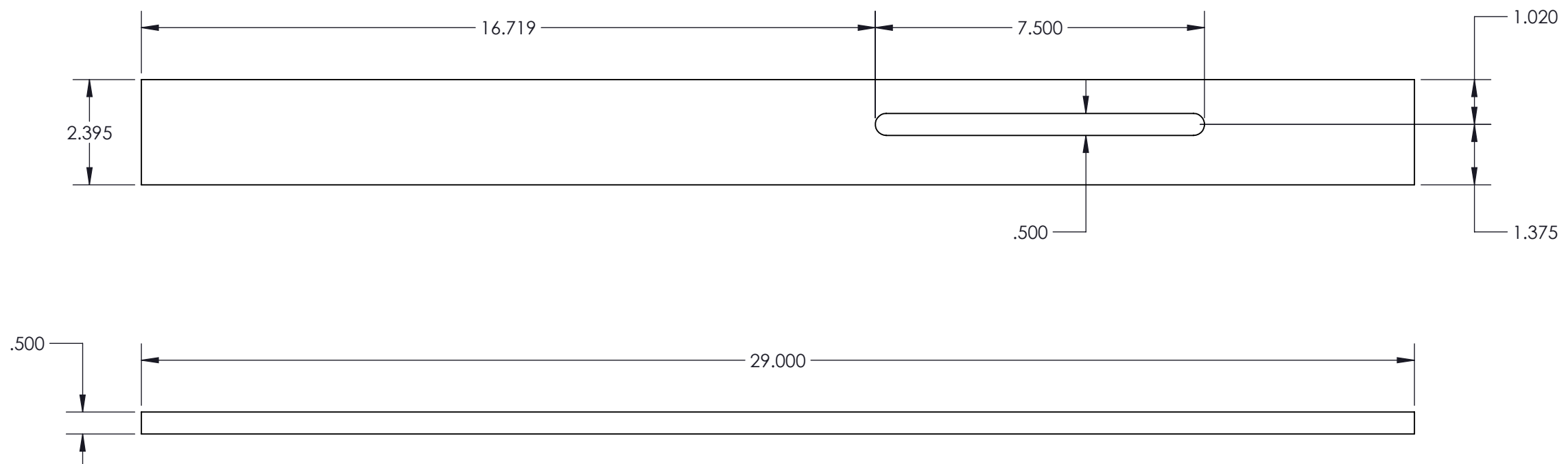
3

2

1

NOTES:

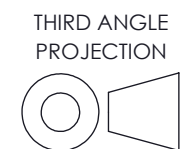
- 1. MATERIAL: FIBER GLASS
- 2. COLOR: GREEN OR BLACK
- 3. FINISH: CURED RESIN
- 4. LOAD: BEST IF USED BETWEEN 2.5 PSI AND 15 PSI



ALL DRAWINGS AND WRITTEN MATERIAL CONTAINED HEREIN ARE THE PROPERTY OF DIVERSITECH CORP AND MAY NOT BE DUPLICATED OR DISCLOSED AT ANY TIME UNLESS APPROVED IN WRITING BY DIVERSITECH CORP

INTERPRET THIS DRAWING IN ACCORDANCE WITH ASME Y14.5-2009 DIMENSIONING AND TOLERANCING STANDARDS

DEBURR ALL SHARP EDGES
DO NOT SCALE



TITLE			SIZE
AC524			B
DRAWN BY	NAME	DATE	DRAWING NUMBER
CAD APPR.			QSAC5202
DWG APPR.			REVISION
SCALE: 1:12			SHEET 3 OF 3

6

5

4

3

2

1