

6

5

4

3

2

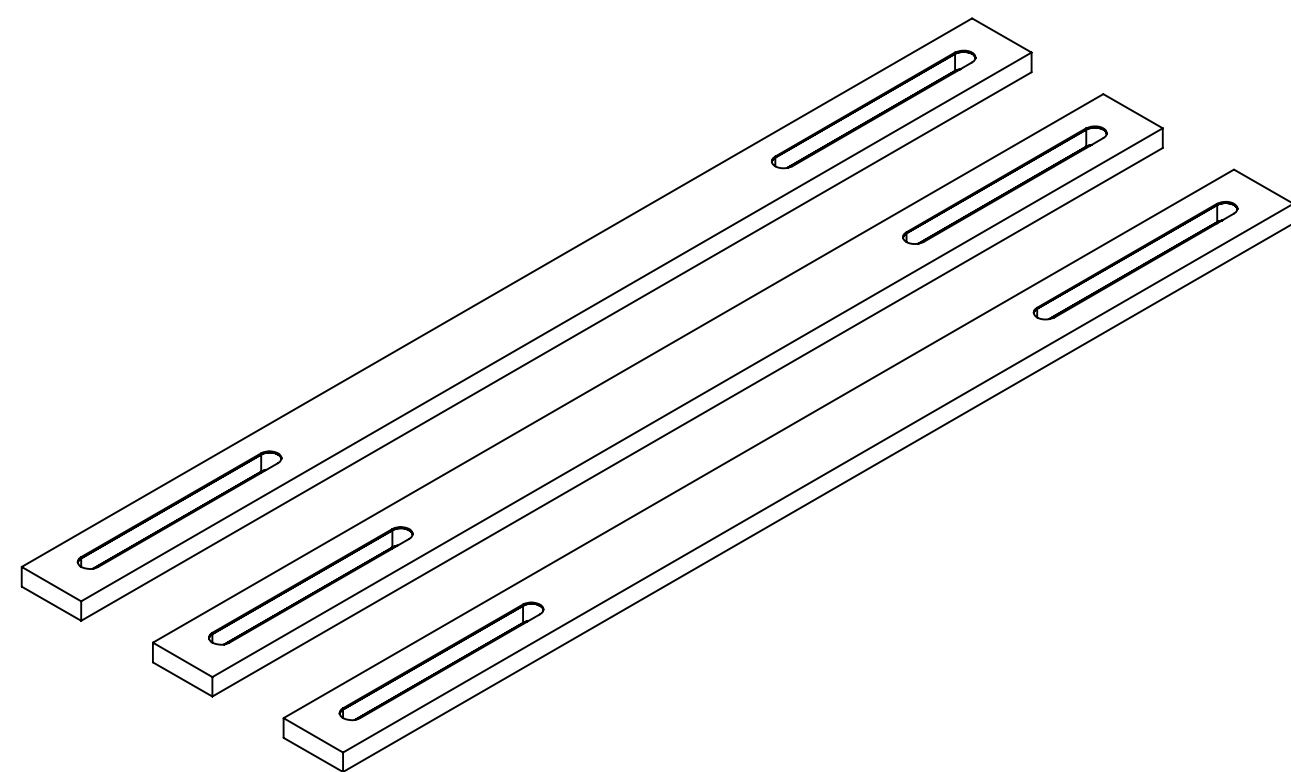
1

**\*ALL DIMENSIONS SHOWN ARE FINAL DIMENSIONS POST DIP**

28.000

1.750 x3

REVISIONS				
REV.	DESCRIPTION	DRAWN BY	APPR BY	APPR DATE



ITEM NO.	PART NUMBER	DESCRIPTION	QTY.
1	AC515	VIBRATION ISOLATION KIP-RT FOR QSMS1205	3

ALL DRAWINGS AND WRITTEN MATERIAL CONTAINED HEREIN ARE THE PROPERTY OF DIVERSITECH CORP AND MAY NOT BE DUPLICATED OR DISCLOSED AT ANY TIME UNLESS APPROVED IN WRITING BY DIVERSITECH CORP

INTERPRET THIS DRAWING IN ACCORDANCE WITH ASME Y14.5-2009 DIMENSIONING AND TOLERANCING STANDARDS

UNLESS OTHERWISE SPECIFIED DIMENSIONS & TOLERANCES ARE IN INCHES		
DIM RANGE	TOLERANCE	
0.02 - 0.12	±0.008	
0.12 - 0.24	±0.012	
0.24 - 1.18	±0.020	
1.18 - 4.72	±0.031	
4.72 - 15.75	±0.047	
15.75 - 39.4	±0.079	
39.4 +	±0.118	

DEBURR ALL SHARP EDGES

**\*DO NOT SCALE\***

THIRD ANGLE PROJECTION

			TITLE		SIZE		
			KIP-RT Kinetics Noise Control		<b>B</b>		
			DRAWN BY	NAME	DATE	DRAWING NUMBER	REVISION
			apadilla	8/28/2019	<b>QSAC5105</b>		
CAD APPR.			SCALE: 1:1	SHEET 1 OF 2			
DWG APPR.				QS-B-260819-0			

6

5

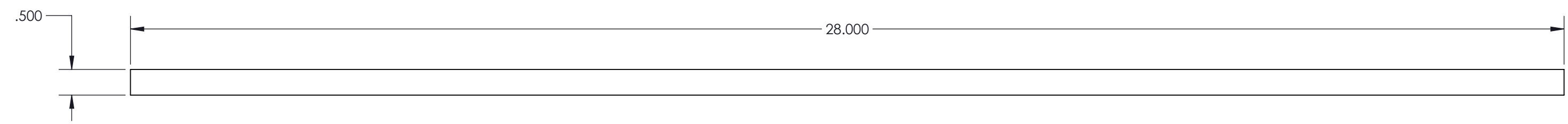
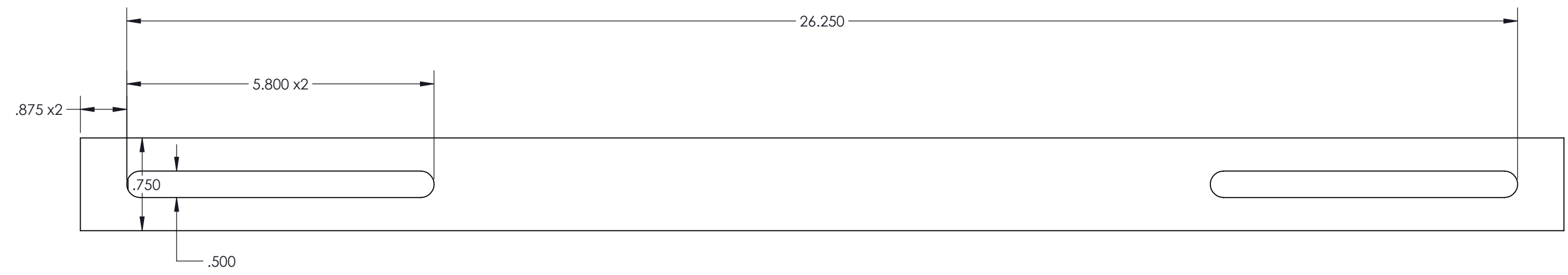
4

3

2

1

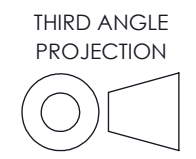
- NOTES:  
 1. MATERIAL: FIBER GLASS  
 2. COLOR: GREEN OR BLACK  
 3. FINISH: CURED RESIN  
 4. LOAD: BEST IF USED BETWEEN 2.5 PSI AND 15 PSI



ALL DRAWINGS AND WRITTEN MATERIAL CONTAINED HEREIN ARE THE PROPERTY OF DIVERSITECH CORP AND MAY NOT BE DUPLICATED OR DISCLOSED AT ANY TIME UNLESS APPROVED IN WRITING BY DIVERSITECH CORP

INTERPRET THIS DRAWING IN ACCORDANCE WITH ASME Y14.5-2009 DIMENSIONING AND TOLERANCING STANDARDS

DEBURR ALL SHARP EDGES  
 \*DO NOT SCALE\*



TITLE		SIZE
KIP-RT kit for QSMS1205		<b>B</b>
DRAWN BY	NAME	DATE
CAD APPR.		
DWG APPR.		
DRAWING NUMBER		REVISION
<b>QSAC5105</b>		
SCALE: 1:8		SHEET 2 OF 2