

ASSEMBLY INSTRUCTIONS & PARTS MANUAL FOR



Marley[®]
Engineered Products

INDUSTRIAL CEILING FANS

CEILING FANS SHOULD BE INSTALLED
BY QUALIFIED INSTALLER.

BASE MODELS:
56001HP, 60001HP, 56007HP

SPECIFICATIONS

MODEL NUMBER	BLADE SWEEP	COLOR	VOLTAGE	MAX HZ	MAX RPM	MAX AMPS	WATTS	WT (LBS)
56001HP	56"	White	120	50/60	179	0.83	64	24
56001HP-BRN	56"	Brown	120	50/60	179	0.83	64	24
60001HP	60"	White	120	50/60	186	1.01	70	30
60001HP-BRN	60"	Brown	120	50/60	186	1.01	70	30
56007HP	56"	White	277	50/60	199	0.48	105	24

READ INSTRUCTIONS CAREFULLY BEFORE ATTEMPTING TO ASSEMBLE OR SERVICE THE MARLEY ENGINEERED PRODUCTS CEILING FAN. FAILURE TO COMPLY WITH INSTRUCTIONS COULD RESULT IN PERSONAL INJURY AND/OR PROPERTY DAMAGE.

RETAIN FOR FUTURE REFERENCE.

IMPORTANT SAFETY INSTRUCTIONS

- CAUTION:** Read and follow instructions carefully. Failure to comply with instructions could result in the risk of fire, shock, and injury to persons.
- WARNING:** Disconnect power before installing or servicing this equipment.
- WARNING:** Do not use in an explosive atmosphere.
- WARNING:** To reduce the risk of personal injury do not bend the blade brackets when installing the brackets or cleaning the fan. Do not insert foreign objects in between rotating fan blades.
- CAUTION:** Fan blades should not be mounted lower than 10 feet above the floor.
- CAUTION:** To reduce the risk of personal injury, install the primary mounting directly from building structure and use only the hardware provided with the fan.
- All electrical wiring should be done by a qualified electrician in accordance with applicable National Electrical Code and local electrical codes.
- Do not allow moving blades to come in contact with any part of the body.
- Mount fan so that fan blades are 10 feet or higher from floor.

- Make sure hanger hooks are mounted securely to structural ceiling members.
- Do not mount in an area which will allow the fan to get wet.
- When mounted in cathedral ceilings, the blade tip should be at least 12 inches from the angled roof line to prevent air "blow back" causing possible fan sway.

Description

Marley Engineered Products Fans are designed as a dual purpose product. By minimizing temperature stratification in winter, they can reduce heating costs in high bay buildings. The summertime application provides a gentle downward movement of air for general air circulation and evaporative cooling. A permanent split capacitor motor and permanently lubricated ball bearings add to the efficiency and quietness of the fans.

Unpacking

- Remove fan components from carton carefully.
- Check for shipping damage.
- Check for missing parts against parts list.

RECOMMENDED MOUNTING HEIGHTS

For heat reclamation, this fan should be mounted on the standard 2' downrod included. On installations through drop ceilings, note the diameter of the downrod hole in the ceiling should be 2 1/2".

READ AND SAVE THESE INSTRUCTIONS

INSTALLATION INSTRUCTIONS

This fan includes a “secondary support” safety cable feature that complies with existing C.S.A. (Canadian Standards Association) requirements and all other proposed safety regulations for overhead air movement equipment. To insure proper installation of this important safety feature, please read and follow these instructions carefully.

1. Carefully unwrap the coiled safety cable and motor lead wires.
2. At the motor yoke assembly (A), remove the cotter pin and loosen the hexagon nut. Carefully remove spring washer and the hexagon screw (E). (See Figure 1)
3. Slide the upper canopy cover (B) (bell shaped) up the rod. Slide the lower canopy cover (C) up to rod.
4. Feed the three wires and the safety cable through the center hole in the steel yoke connecting piece above the motor (A) and then continue feeding wires and cable through the downrod until the wires and cable come out at the upper shackle end (D).
5. Mount the downrod to the yoke (A) and replace the hexagon screw. Secure the spring washer hexagon nut and spread the coffer pin.

NOTICE: The safety cable should be taped to one side of the yoke with electrical tape to prevent the cable from resting on top of motor during running operation.

(See Figure 2)

6. Slide the lower canopy (C) to be a 1/4” minimum height above the motor.

CAUTION: Do not allow the permanently installed lower canopy to touch the revolving motor as damage will occur. Make sure all wires are securely placed to avoid rubbing against the motor.

7. Attach the three blades, curved side down to the motor with the insulation pad mounted between the blade and the motor. Make sure blade holder is flat against motor platform when tightening blade nuts for secure fit.

CAUTION: Blades must be fastened to the motor as shown in Figure 1. DO NOT reverse blades when installing.

NOTE: Blades are weight balanced per set. DO NOT mix on multiple fan installations.

NOTE: Do not bend fan blade brackets.

WARNING: DISCONNECT CIRCUIT POWER BEFORE MAKING ANY ELECTRICAL CONNECTIONS.

8. Before attaching the appropriate “J” hook to the building structure member note the following:

IMPORTANT. WHEN MOUNTING THIS FAN, THE SUPPORT BEAM MUST BE SUITABLE FOR A 50 POUND LOAD LIMIT.

CAUTION: If pilot hole is used with the wood thread hook, the pilot hole should be drilled no larger than the minor diameter of the screw threads on the hook. Do not put lubricant on the “J” hook. At least 1-1/2” of the screw threads should be secured into the structural wood joist. When the threaded bolt hook is used, be careful to secure tightly with supplied lockwashers and nuts. Attach the hook as instructed and hang the fan.

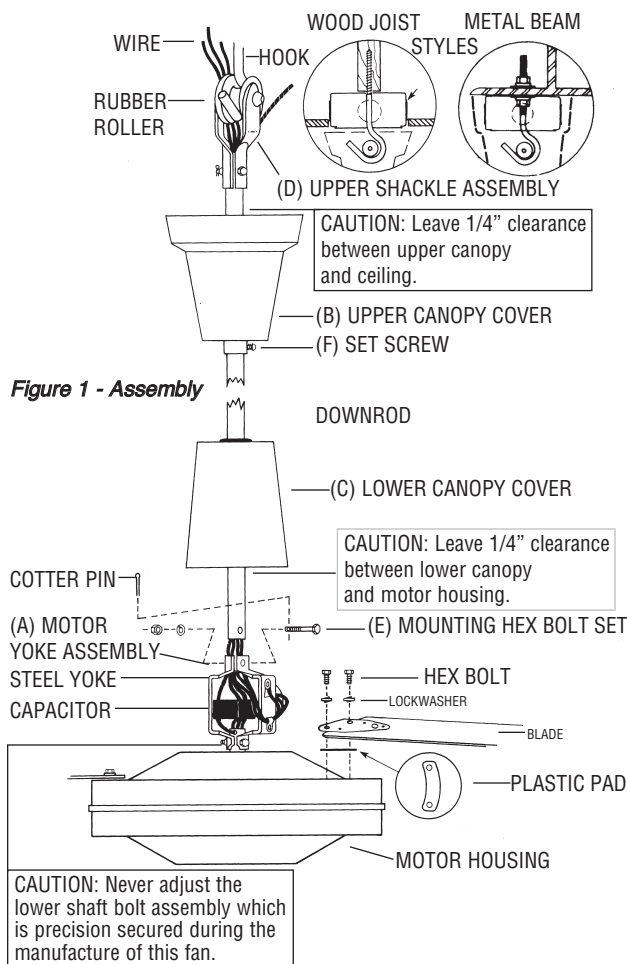


Figure 1 - Assembly

CAUTION: Make sure that blades are attached as shown.

9. This fan is equipped with the required “secondary support” cable. This cable must be affixed to the beam structures and securely clamped in such a manner to support the weight of the fan in the event the mounting hook or other parts fail. After wrapping cable around a structural member that will support 300 lbs., secure cable with supplied cable clamps as illustrated in Figure 3. (Note: Any additional materials needed for specific installations may be purchased from your local distributor.)

NOTICE: Leave approximately 3” but no more than 5” of slack on this safety cable to allow for possible fan movement. Do not exceed more than 5” total slack.

IMPORTANT CAUTION: The safety cable must not be placed between the rubber roller and hook but as illustrated in Figure 3.

10. When hanging fan on factory supplied “J” hook, make sure cable at top of rod is positioned behind “J” hook as illustrated in Figure 3.

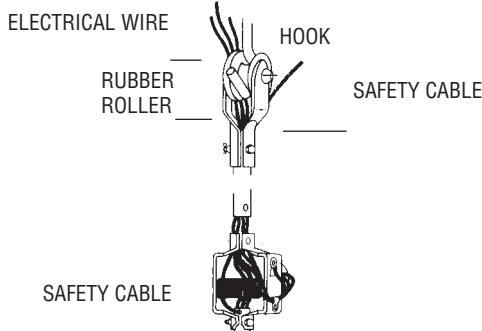


Figure 2

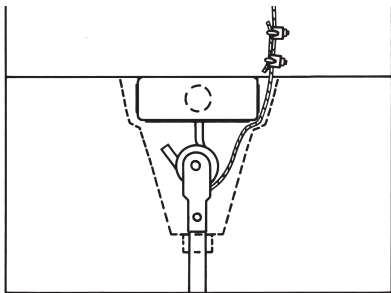


Figure 3

IMPORTANT NOTICE: It is important to note proper installation position of the cable clamps as illustrated in Figure 4. To obtain maximum holding power, install U-bolt section of clip on dead or short end of cable and saddle on long end of cable. Improper installation reduces the efficiency of the connection by as much as 40 percent.

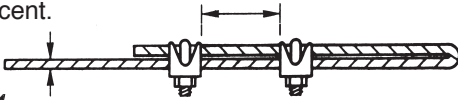


Figure 4

11. MINIMUM SPEED ADJUSTMENT

- a) Motor must be in actual operating condition to achieve proper speed adjustment. (Motor will not slow down unless blades are attached.)
- b) Turn main control knob clockwise to lowest speed position.
- c) Locate and adjust minimum speed setting on front plate with screwdriver (rotate clockwise to decrease minimum speed, counter-clockwise to increase minimum speed so that motor runs sufficient torque to prevent stalling. If fan stops on its own the minimum setting is too low).
- d) Motor will now operate from this present minimum speed to full speed.

12. Slide the upper canopy (B) up the rod to within 1/4” of the ceiling or beam and securely tighten the set screw (F).

13. If a remote speed control or reverse switch is to be used refer to the Instruction Manual included with that controller for proper installation and wiring. Refer to Figures 5 and 6 for proper installation and wiring.

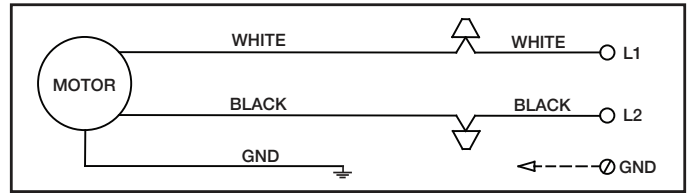


Figure 5

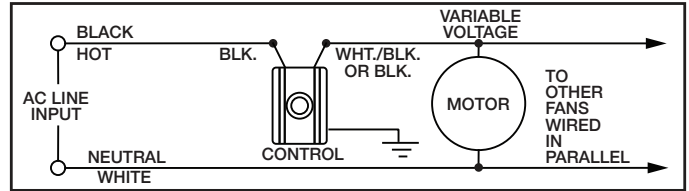


Figure 6

- 14. Restore power.
- 15. After completing installation, test run fan in normal operating manner. Inspect for any possible shake or wobble which may be caused by binding as a result of “tight cable”. If this should happen, shut off power supply and re-check instructions to correct problem.

NOTE: When any solid state motor speed control is used, a humming noise will be present in the fan on low speed. This hum in no way affects the operation of the fan and is acceptable in most industrial applications.

SAFETY WARNING - PLEASE READ CAREFULLY

A qualified electrician in accordance with the national electric code and other local codes, which may apply, should install control. This control must be grounded when installed. Failure to follow these instructions may result in electrical shock or a fire hazard. To reduce the risk of fire or electrical shock this control must not be used at ratings exceeding those clearly marked on the device.

USER SERVICING INSTRUCTIONS

WARNING: THIS FAN HAS AN INTERNAL SELF-RESETTING THERMAL OVERLOAD PROTECTOR. ALWAYS DISCONNECT FROM POWER SUPPLY BEFORE SERVICING.

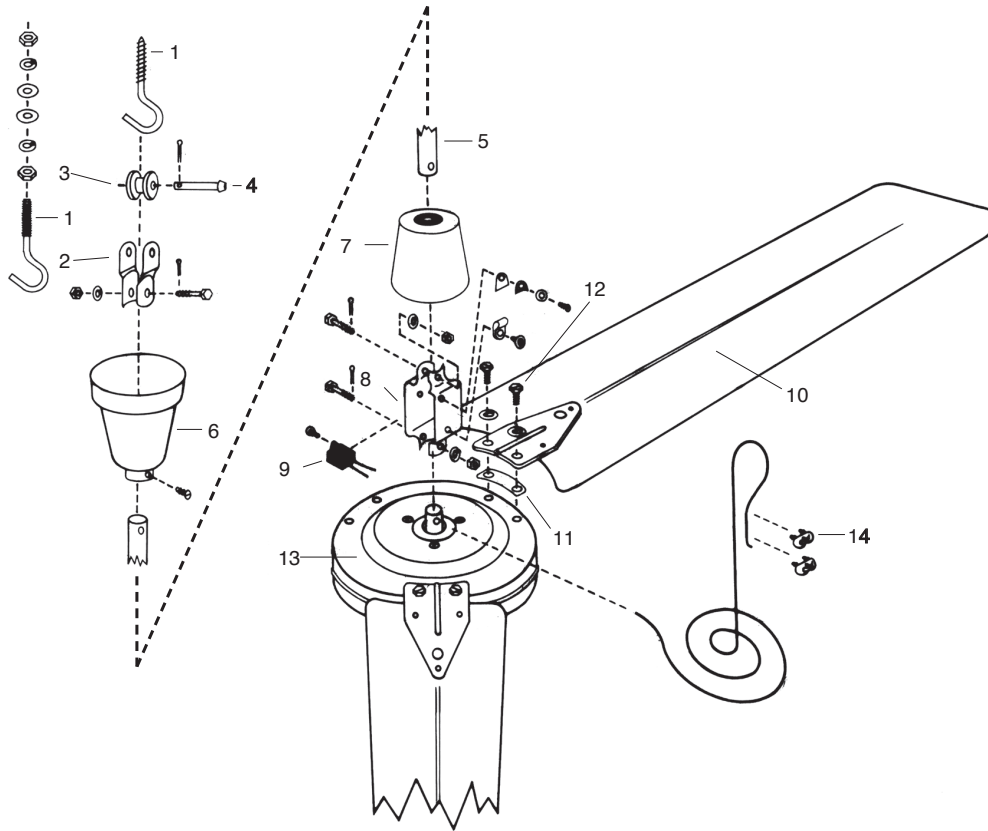
LUBRICATION

All bearings are permanently lubricated and do not require further lubrication.

CLEANING

This fan may be wiped off with a damp cloth. Do not allow the motor to get wet. Do not use solvents or harsh detergent.

CAUTION: Before servicing or cleaning unit, switch power off at service panel and lock service disconnecting means to prevent power from being switched on accidentally. When the service disconnecting means cannot be locked, securely fasten a prominent warning device, such as a tag, to the service panel.



REF. NO	DESCRIPTION	QTY	PART NO.				
			56001HP	56001HP-BRN	60001HP	60001HP-BRN	56007HP
1	"J" Hook Kit	1	9F2900-01	9F2900-01	9F2900-01	9F2900-01	9F2900-01
2	Upper Shackle	1	9F2900-03A	9F2900-03A	9F2900-03A	9F2900-03A	9F2900-03A
3	Rubber Roller	1	9F2900-04A	9F2900-04A	9F2900-04A	9F2900-04A	9F2900-04A
4	Clevis Pin	1	9F2900-05A	9F2900-05A	9F2900-05A	9F2900-05A	9F2900-05A
5	24" Downrod	1	9D24BW	9D24BB	9D24BW	9D24BB	9D24BW
6	Upper Canopy	1	9F2900-07A	9FP029	9F2900-07A	9FP029	9F2900-07A
7	Lower Canopy	1	9F2900-08A	9FP030	9F2900-08A	9FP030	9F2900-08A
8	Steel Yoke	1	9F2900-10A	9F2900-10A	9F2900-10A	9F2900-10A	9F2900-10A
9	Capacitor	1	2100141A	2100141A	2100141A	2100141A	2100141A
10	Blades (set of three)	1	9B56001-HP	9B56001-HPB	9B6000-1HP	9B6000-1HPB	9B5600-7HP
11	Blade pads	3	9F2900-19A	9F2900-19A	9F2900-19A	9F2900-19A	9F2900-19A
12	Blade screws	6	9F2900-20A	9F2900-20A	9F2900-20A	9F2900-20A	9F2900-20A
13	Motor Assembly	1	9M5600-1HP	9M5600-1HP	9M6000-1HP	9M6000-1HP	9M5600-7HP
14	Cable Clamps	2	9G063947	9G063947	9G063947	9G063947	9G063947
15	Unitary Controller	1	CTL12004RSPD	CTL12004RSPD	CTL12004RSPD	CTL12004RSPD	
16	Speed Switch (277V)						27708
17	Reverse Toggle Kit						9FR002

LIMITED WARRANTY

All products manufactured by Marley Engineered Products are warranted against defects in workmanship and materials for one year from date of installation, except the motor which is warranted against defects in workmanship and materials for three years from date of installation. This warranty does not apply to damage from accident, misuse, or alteration; nor where the connected voltage is more than 5% above the nameplate voltage; nor to equipment improperly installed or wired or maintained in violation of the product's installation instructions. All claims for warranty work must be accompanied by proof of the date of installation.

The customer shall be responsible for all costs incurred in the removal or reinstallation of products, including labor costs, and shipping costs incurred to return products. Within the limitations of this warranty, inoperative units should be returned to Marley Engineered Products, and we will repair or replace, at our option, at no charge to you with return freight paid by Marley. It is agreed that such repair or replacement is the exclusive remedy available from Marley Engineered Products.

THE ABOVE WARRANTIES ARE IN LIEU OF ALL OTHER WARRANTIES EXPRESSED OR IMPLIED, AND ALL IMPLIED WARRANTIES OF MERCHANTABILITY AND FITNESS FOR A PARTICULAR PURPOSE WHICH EXCEED THE AFORESAID EXPRESSED WARRANTIES ARE HEREBY DISCLAIMED AND EXCLUDED FROM THIS AGREEMENT. MARLEY ENGINEERED PRODUCTS SHALL NOT BE LIABLE FOR CONSEQUENTIAL DAMAGES ARISING WITH RESPECT TO THE PRODUCT, WHETHER BASED UPON NEGLIGENCE, TORT, STRICT LIABILITY, OR CONTRACT.

Some states do not allow the exclusion or limitation of incidental or consequential damages, so the above exclusion or limitation may not apply to you. This warranty gives you specific legal rights, and you may also have other rights which vary from state to state.

Contact Marley Engineered Products in Bennettsville, SC, at 1-800-642-4328. Merchandise returned to the factory must be accompanied by a return authorization and service identification tag, both available from Marley Engineered Products. When requesting return authorization, include all catalog numbers shown on the products.

HOW TO OBTAIN WARRANTY SERVICE AND WARRANTY PARTS PLUS GENERAL INFORMATION

- | | |
|--------------------------------|------------------|
| 1. Warranty Service or Parts | 1-800-642-4328 |
| 2. Purchase/Replacement Parts | 1-800-654-3545 |
| 3. General Product Information | www.marlymep.com |

Note: When obtaining service always have the following:

1. Model number of the product
2. Date of manufacture
3. Part number or description



Marley
Engineered Products

470 Beauty Spot Rd. East
Bennettsville, SC 29512 USA



Marley®
Engineered Products

**VENTILATEURS INDUSTRIELS
DE PLAFOND**

LES VENTILATEURS DE PLAFOND DOIVENT
ÊTRE INSTALLÉS PAR UN MONTEUR QUALIFIÉ

MODÈLES DE BASE:
56001HP, 60001HP, 56007HP

SPÉCIFICATIONS

N° DE MODÈLE	DÉPORT LAMES	COULEUR	TENSION	FRÉQUENCE HZ	TOURS/MIN RPM	COURANT AMPS	WATTS	WT (LBS)
56001HP	56"	Blanc	120	50/60	179	0.83	64	24
56001HP-BRN	56"	Brun	120	50/60	179	0.83	64	24
60001HP	60"	Blanc	120	50/60	186	1.01	70	30
60001HP-BRN	60"	Brun	120	50/60	186	1.01	70	30
56007HP	56"	Blanc	277	50/60	199	0.48	105	24

LIRE ATTENTIVEMENT LES INSTRUCTIONS AVANT D'ESSAYER DE MONTER LE VENTILATEUR DA PLAFOND MARLEY OU D'INTERVENIR DESSUS. LE NON-RESPECT DE CES INSTRUCTIONS PEUT ENTRAÎNER DES BLESSURES CORPORELLES ET/OU DES D'EGÂTS MAT'ERIELS.

A CONSERVER COMME RÉFÉRENCE ULTÉRIEURE.

INSTRUCTIONS D'INSTALLATION

- ATTENTION** : Lire et respecter les instructions avec soin. Le non-respect de ces instructions peut entraîner des risques d'incendie, chocs électriques, et blessures aux personnes.
- AVERTISSEMENT** : Débrancher le secteur avant d'installer cet équipement ou d'intervenir dessus.
- AVERTISSEMENT** : Ne pas utiliser en atmosphère explosive.
- AVERTISSEMENT** : Pour réduire le risque potentiel de blessure corporelle, ne pas tordre les supports de pales à leur installation ou durant le nettoyage du ventilateur. Ne pas insérer d'objets étrangers entre les pales en rotation.
- ATTENTION** : Les pales de ventilateur ne doivent se trouver montées à moins de 3 m du plancher.
- REMARQUE** : Les jeux de pales sont triés pour un équilibrage de poids. NE PAS mélanger les pales en cas d'installation de plusieurs ventilateurs.
- Tout le câblage électrique doit être réalisé par un électricien qualifié en conformité avec les normes électriques NEC (normes électriques américaines) et locales applicables.
- Ne pas permettre aux pales en mouvement d'entrer en contact avec une quelconque partie du corps.
- Monter le ventilateur de sorte que ses pales soient à 3 mètres au moins du plancher.

- S'assurer que les crochets de suspension sont solidement montés sur les membrures structurelles du plafond.
- Ne pas effectuer de montage dans un lieu où le ventilateur pourrait être mouillé.
- En cas de montage sur plafond cathédrale, le bout des pales doit être à au moins 30 cm de la ligne de toiture inclinée pour éviter un retour de flux d'air pouvant causer une oscillation du ventilateur.

Description

Ces ventilateurs Marley sont conçus comme un produit à deux finalités. En minimisant la stratification des températures en hiver, ils peuvent réduire les coûts de chauffage dans les halls hauts de plafond. L'application en été procure un doux mouvement d'air vers le bas pour une recirculation générale et un rafraîchissement par évaporation. Un moteur à condensateur permanent et des roulements à billes lubrifiés à vie ajoutent à l'efficacité et au silence de ces ventilateurs.

Déballage

- Enlever avec soin les composants du ventilateur du carton.
- Vérifier qu'il n'y a pas de dommages dus au transport.
- Vérifier qu'aucune pièce ne manque en contrôlant avec la liste des pièces.

HAUTEURS DE MONTAGE RECOMMANDÉES

Pour la récupération de chaleur, ce ventilateur doit se monter sur la tige de suspension de 60 cm incluse. Pour les installations sur plafond suspendu, noter que le diamètre du trou de tige de suspension dans le plafond doit être de 5,35 cm.

LISEZ ET CONSERVEZ CES INSTRUCTIONS

INSTRUCTIONS D'INSTALLATION

Ce ventilateur comporte un câble de sécurité de soutien auxiliaire qui répond aux exigences actuelles du CSA (normes canadiennes) et de toutes les autres réglementations de sécurité pour les équipements pour mouvement d'air suspendus. Pour assurer une installation correcte de ce dispositif de sécurité important, il faut lire et suivre à la lettre ces instructions.

1. Détacher soigneusement le câble de sécurité enroulé et les fils d'alimentation du moteur.
2. Sur le bloc de bobinage du moteur (A), enlever la goupille cylindrique et desserrer l'écrou 6 pans. Enlever soigneusement la rondelle élastique et la vis 6 pans (E). Voir la Figure 1.
3. Glisser le couvercle supérieur en cloche (B) en remontant sur la tige. Glisser le couvercle inférieur en cloche (C) en remontant sur la tige.
4. Passer les trois fils et le câble de sécurité par le trou central dans l'étrier d'acier reliant la pièce au-dessus du moteur (A), puis continuer à passer fils et câble au travers de la tige de suspension jusqu'à leur sortie en bout par l'étrier d'accrochage (D).

5. Monter la tige de suspension sur l'étrier (A) et remettre l'écrou 6 pans. Serrer cet écrou sur la rondelle élastique et écarter la goupille.

AVIS : Le câble de sécurité doit être collé sur un côté de l'étrier avec de la bande adhésive d'électricien pour éviter que le câble ne repose sur le dessus du moteur en fonctionnement.

6. Faire glisser le couvercle en cloche inférieur (C) pour se trouver à une hauteur d'au moins 6,3 mm au-dessus du moteur.

ATTENTION : Ne pas laisser le couvercle en cloche inférieur monté en permanence en touchant le moteur en rotation sous peine de dommages. S'assurer que tous les fils sont placés en sécurité pour éviter un frottement contre le moteur.

7. Fixer les trois pales, face incurvée vers le bas et le moteur, avec une plaquette isolante entre pale et moteur. S'assurer que le support de pale est à plat contre la plate-forme de moteur au moment de serrer les écrous de pales pour une bonne fixation.

ATTENTION : Les pales doivent être fixées sur le moteur comme montré en Figure 1. NE PAS inverser le sens des pales à l'installation.

REMARQUE : Les jeux de pales sont triés pour un équilibrage de poids. NE PAS mélanger les pales en cas d'installation de plusieurs ventilateurs.

REMARQUE : Ne pas tordre les supports de pales

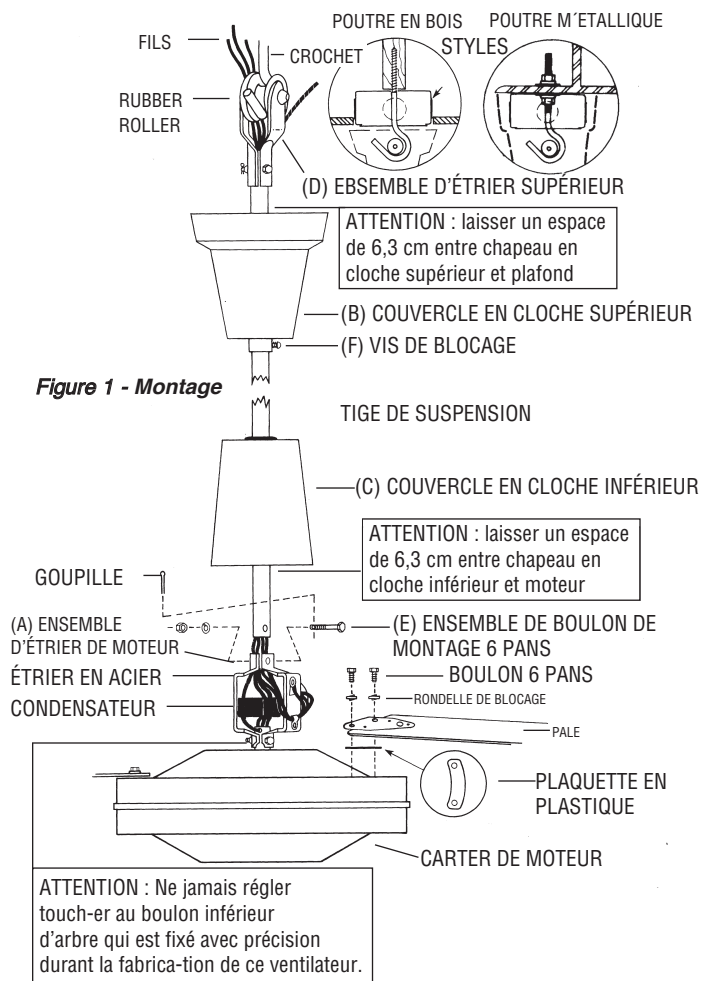
REMARQUE : DÉBRANCHER L'ALIMENTATION SECTEUR AVANT DE RÉALISER TOUTE CONNEXION ÉLECTRIQUE.

8. Avant de fixer le crochet en J à l'élément de la structure de la construction, noter ce qui suit :

IMPORTANT. EN MONTANT CE VENTILATEUR, LA POUTRE DE PLAFOND DOIT POUVOIR SUPPORTER 22,7 KG AU MOINS.

ATTENTION : Si un avant-trou est utilisé pour la vis à bois

ATTENTION : Si un avant-trou est utilisé pour la vis à bois du crochet de suspension, il ne faut pas le percer plus gros que le diamètre minimum du filetage de la vis du crochet. Ne pas mettre de lubrifiant sur le crochet en J. Au moins 3,8 cm du filetage de crochet doivent être vissés dans la poutre structurelle en bois. Quand c'est le crochet à boulon fileté qui est utilisé, s'assurer de bien le serrer avec les rondelles de blocages et écrous fournis. Fixer le crochet comme expliqué et suspendre le ventilateur.



ATTENTION : S'assurer que les pales sont bien montées comme illustré.

9. Ce ventilateur est équipé d'un câble de sécurité auxiliaire. Ce câble doit être fixé sur les poutres structurelles d'une telle manière qu'il puisse supporter le poids du ventilateur dans le cas où le crochet de suspension ou une autre pièce lâcherait. Après avoir entouré le câble une structure de soutien pouvant supporter 136 kg, fixer le câble avec les attaches fournies comme illustré en Figure 3 (Remarque : Tout matériel additionnel nécessaire pour des installations spécifiques peut s'acheter chez votre distributeur local).

AVIS : Laisser environ 7,5 cm mais pas plus de 13 cm de mou pour ce câble de sécurité, afin de permettre un mouvement du ventilateur. Ne jamais dépasser les 7 cm.

PRÉCAUTION IMPORTANTE : Le câble de sécurité ne doit pas être placé entre la roulette en caoutchouc et le crochet, mais comme illustré en Figure 3.

10. En suspendant le ventilateur au crochet en J fourni, s'assurer que le câble en haut de la tige est positionné derrière le crochet en J comme illustré en Figure 3.

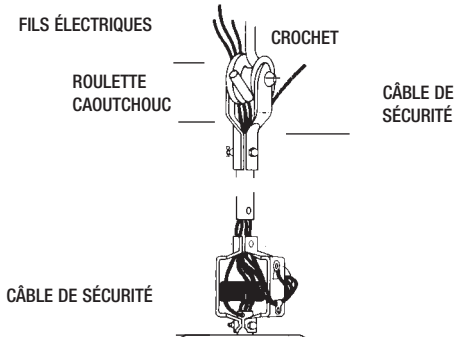


Figure 2

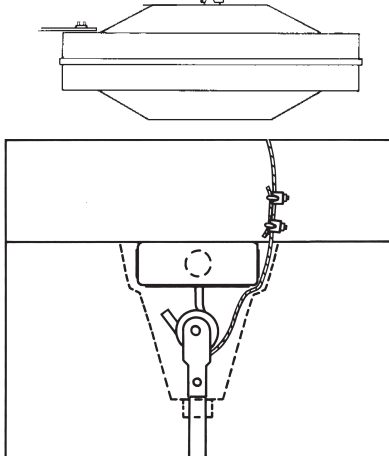


Figure 3

AVIS IMPORTANT : Il est important de noter la bonne position de montage des attaches de câble comme illustré en Figure 4. Pour obtenir un maximum de force de maintien, installer la section de boulon en U de l'attache sur la partie terminale ou courte du câble, et chevaucher avec l'extrémité longue du câble. Une mauvaise installation réduit l'efficacité de connexion jusqu'à 40 pourcent.

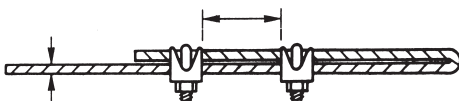


Figure 4

11. RÉGLAGE MINIMAL DE LA VITESSE

- Le moteur doit être dans un état fonctionnel normal pour réussir le réglage approprié de sa vitesse. (Le moteur ne ralentira pas à moins que des pales y soient fixées.)
- Tournez le bouton de contrôle principal dans le sens horaire jusqu'à la position de vitesse la plus basse.
- Trouvez et réglez la configuration de vitesse minimale située sur la plaque frontale grâce à un tournevis (tournez dans le sens horaire pour diminuer la vitesse minimale, et dans le sens antihoraire pour augmenter la vitesse minimale de façon à ce que le moteur tourne à un couple suffisant pour qu'il ne cale pas. Si le ventilateur s'arrête de par lui-même, considérez le réglage minimal trop bas).
- Le moteur fonctionnera à présent depuis cette vitesse minimale actuelle jusqu'à sa pleine vitesse.

12. Glisser le chapeau supérieur (B) en montant sur la tige pour arriver à 6,3 cm du plafond ou de la poutre, et serrer à fond sa vis de blocage (F).

13. Si une télécommande pour la vitesse ou un commutateur d'inversion sont utilisés, veuillez consulter le Manuel d'instructions venant avec le dispositif de contrôle en question pour son installation et son câblage appropriés. Consultez les Figures 5 et 6 pour une installation et un câblage appropriés.

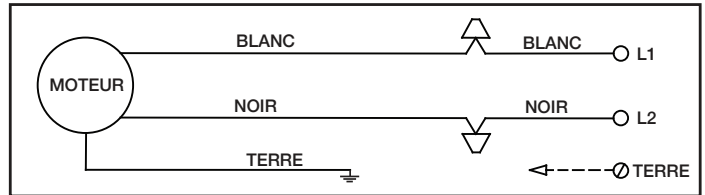


Figure 5

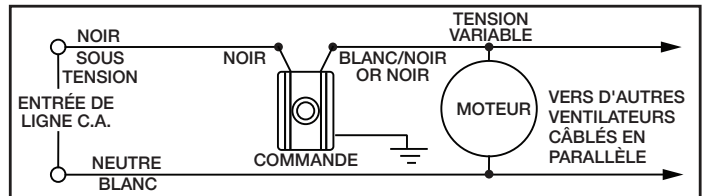


Figure 6

14. Rétablir l'alimentation électrique.
15. Une fois l'installation finie, essayer le ventilateur en fonctionnement normal. Surveiller s'il présente éventuellement secousses ou oscillations, qui pourraient être causées par une déformation suite à la tension de câble. Si c'était le cas, couper l'alimentation électrique et vérifier à nouveau avec les instructions pour corriger le problème.

REMARQUE : Quand une commande de vitesse à semiconducteurs est utilisée, un bruit de bourdonnement peut venir du ventilateur quand il tourne à faible vitesse. Cela n'affecte en aucun cas son fonctionnement et c'est acceptable dans la plu-part des installations industrielles.

AVERTISSEMENT RELATIF À LA SÉCURITÉ - VEUILLEZ LIRE ATTENTIVEMENT

Un électricien certifié selon le Code national de l'électricité, et les autres codes locaux pouvant s'appliquer, doit installer le dispositif de contrôle. Ce dispositif de contrôle doit être mis à la terre une fois installé. L'omission de suivre ces instructions peut entraîner un choc électrique ou un danger d'incendie. Pour réduire les risques d'incendie ou d'un choc électrique, n'utilisez pas ce dispositif de contrôle à des valeurs dépassant celles clairement indiquées sur ce dernier.

INSTRUCTIONS D'ENTRETIEN POUR L'UTILISATEUR
AVERTISSEMENT : CE VENTILATEUR COMPORTE UNE PROTECTION THERMIQUE CONTRE LA SURCHARGE À RESTAURATION AUTOMATIQUE. TOUJOURS DÉBRANCHER LE VENTILATEUR DE SON ALIMENTATION SECTEUR AVANT D'INTERVENIR DESSUS.

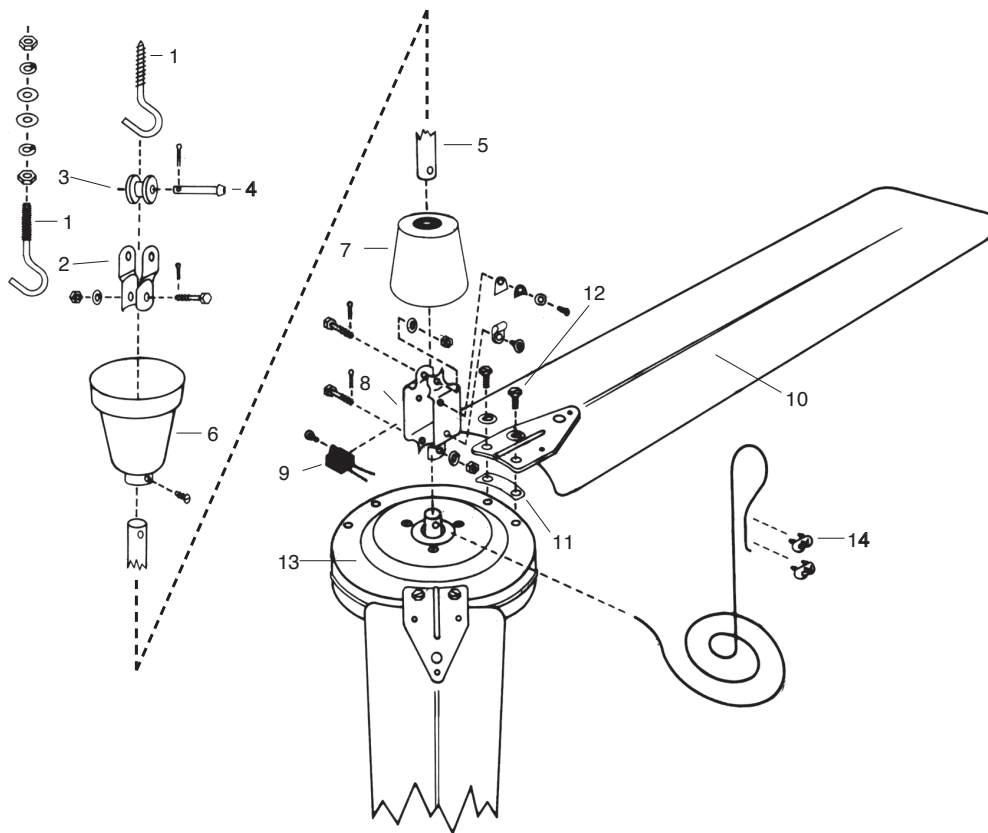
LUBRIFICATION

Tous les roulements sont lubrifiés à vie et ne nécessitent pas de lubrification supplémentaire.

NETTOYAGE

Ce ventilateur peut être nettoyé avec un chiffon humide. Ne pas permettre que le moteur soit mouillé. N'utiliser ni solvants ni détergents.

ATTENTION : avant d'intervenir sur l'unité ou de la nettoyer, couper l'alimentation électrique au niveau du tableau de service en amont, et bloquer le dispositif de coupure de secteur pour éviter son rétablissement accidentel. Si ce blocage n'est pas possible, accrocher de façon bien visible un moyen d'avertissement, comme un panneau, sur le tableau de service.



N° RÉF.	DESCRIPTION	QTÉ	N° DE PIÈCE				
			56001HP	56001HP-BRN	60001HP	60001HP-BRN	56007HP
1	Kit de crochet en J	1	9F2900-01	9F2900-01	9F2900-01	9F2900-01	9F2900-01
2	Étrier supérieur	1	9F2900-03A	9F2900-03A	9F2900-03A	9F2900-03A	9F2900-03A
3	Roulette caoutchouc	1	9F2900-04A	9F2900-04A	9F2900-04A	9F2900-04A	9F2900-04A
4	Goupille	1	9F2900-05A	9F2900-05A	9F2900-05A	9F2900-05A	9F2900-05A
5	Tige de suspension 61 cm	1	9D24BW	9D24BB	9D24BW	9D24BB	9D24BW
6	Chapeau en cloche supérieur	1	9F2900-07A	9FP029	9F2900-07A	9FP029	9F2900-07A
7	Chapeau en cloche inférieur	1	9F2900-08A	9FP030	9F2900-08A	9FP030	9F2900-08A
8	Étrier en acier	1	9F2900-10A	9F2900-10A	9F2900-10A	9F2900-10A	9F2900-10A
9	Condensateur	1	2100141A	2100141A	2100141A	2100141A	2100141A
10	Pales (jeu de trois)	1	9B56001-HP	9B56001-HPB	9B6000-1HP	9B6000-1HPB	9B5600-7HP
11	Plaquettes de pales	3	9F2900-19A	9F2900-19A	9F2900-19A	9F2900-19A	9F2900-19A
12	Vis de pales	6	9F2900-20A	9F2900-20A	9F2900-20A	9F2900-20A	9F2900-20A
13	Ensemble de moteur	1	9M5600-1HP	9M5600-1HP	9M6000-1HP	9M6000-1HP	9M5600-7HP
14	Agrafes de câble	2	9G063947	9G063947	9G063947	9G063947	9G063947
15	Unitary Controller	1	CTL12004RSPD	CTL12004RSPD	CTL12004RSPD	CTL12004RSPD	
16	Commutateur de vitesse (277V)						27708
17	Kit de bascule inversée						9FR002

GARANTIE LIMITÉE

Tous les produits fabriqués par Marley Engineered Products sont garantis contre les défauts au niveau de la main-d'oeuvre et des matériaux pendant un (1) an de la date de l'installation. Le moteur est garanti contre les défauts au niveau de la main-d'oeuvre et des matériaux pendant trois ans de la date d'installation. Cette garantie ne s'applique pas en cas de dommages découlant d'un accident, d'une mauvaise utilisation ou d'une modification, ni où la tension connectée est de plus de 5 % au-dessus de la tension de la plaque signalétique, ni où à de l'équipement incorrectement installé ou câblé ou entretenu de manière non conforme aux instructions d'installation du produit. Toutes les réclamations à des fins de garantie doivent être accompagnées par la preuve de la date d'installation.

Le client est responsable de tous les coûts de retrait ou de la réinstallation des produits, y compris les coûts de main-d'oeuvre découlant du retour des produits. Dans les limites de cette garantie, les unités non opérationnelles doivent être retournées à Marley Engineered Products. À notre option, nous réparerons ou remplacerons, sans frais pour le client et avec le fret de retour du produit payé par Marley. Il est convenu qu'une telle réparation ou remplacement est la solution exclusive disponible de Marley Engineered Products.

LES GARANTIES CI-DESSUS SONT AU LIEU DE TOUTES LES AUTRES GARANTIES EXPRESSES OU IMPLICITES DE MARCHANDABILITÉ ET D'ADÉQUATION À UNE FIN PARTICULIÈRE QUI DÉPASSE LES GARANTIES EXPRIMÉES SUSMENTIONNÉES ET SONT PAR LES PRÉSENTES REJETÉES ET EXCLUES DU PRÉSENT ACCORD. MARLEY ENGINEERED PRODUCTS NE DOIT PAS ÊTRE TENU RESPONSABLE DES DOMMAGES DE CONSÉQUENCE DÉCOULANT DE L'UTILISATION DU PRODUIT, QUE CE SOIT PAR NÉGLIGENCE, RESPONSABILITÉ, RESPONSABILITÉ STRICTE OU CONTRAT.

Certains Etats/provinces ne permettent pas l'exclusion ou la limitation de dommages incidentels ou consécutiels. L'exclusion ou la limitation ci-haut peuvent ne pas s'appliquer dans votre cas. Cette garantie vous octroie des droits juridiques spécifiques.

Vous pourriez avoir d'autres droits variant d'un Etat/province à l'autre. Communiquez avec Marley Engineered Products à Bennettsville, SC, au 1 800 642-4328. Les produits retournés à l'usine doivent être accompagnés d'une autorisation de retour et d'une étiquette d'identification de service. Les deux sont disponibles de Marley Engineered Products. Lors de la demande d'une autorisation de retour, indiquez tous les numéros de catalogue illustrés sur les produits.

COMMENT OBTENIR DU SERVICE ET DES PIÈCES DANS LE CADRE DE LA GARANTIE ET DES INFORMATIONS GÉNÉRALES SUR LES PRODUITS

1. Service et pièces sous garantie 1-800-642-4328
2. Pièces détachées achetées 1-800-654-3545
3. Informations générales sur les produits www.marleymep.com

Remarque - Pour obtenir le service sous garantie vous devez toujours avoir préparé :

1. Référence de modèle du produit
2. Date de fabrication
3. Numéro ou description de pièce



Marley
Engineered Products

470 Beauty Spot Rd. East
Bennettsville, SC 29512 USA