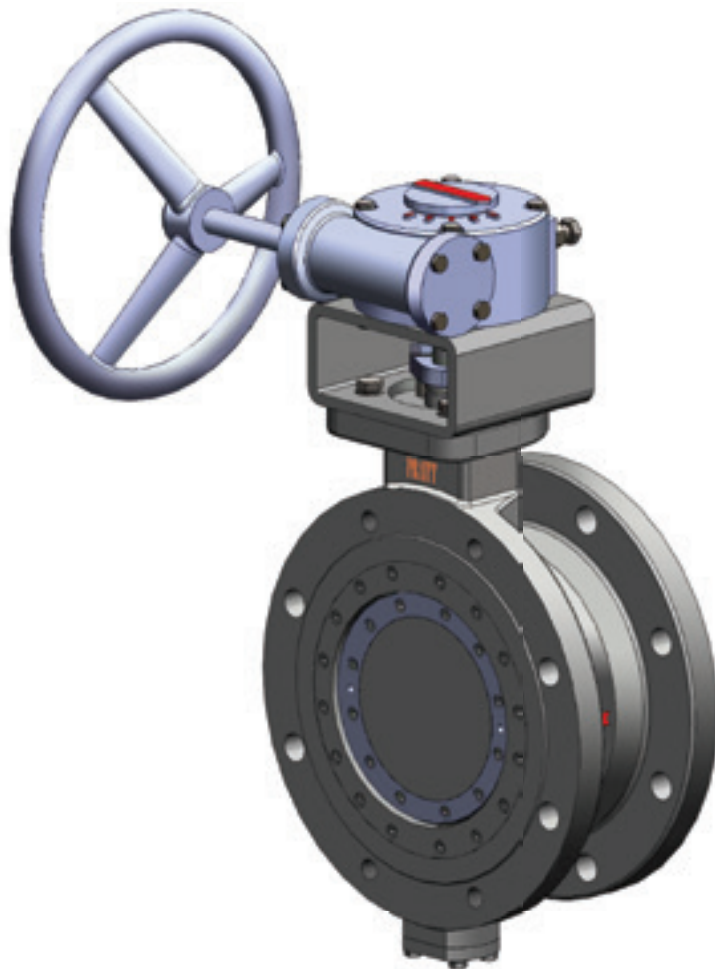


PRATT[®]
INDUSTRIAL

TE Series Triple Offset Butterfly Valves



Engineering Creative Solutions
for Fluid Systems Since 1901

TRIPLE OFFSET BUTTERFLY VALVE STANDARD FEATURES

Introduction

Pratt Industrial Triple Offset Butterfly Valve is from the family of quarter-turn valves. This valve is designed and manufactured to meet API 609 and ASME B16.34 specifications. The Pratt Industrial Triple Offset Butterfly valve offers a metal-to metal seating design that can provide the user with an alternate design to the traditional gate valve while offering the user:

- Lower weight solution w/zero leakage shut off to API 598
- Less weight
- Easy to automate
- Can be used to modulate the process for level, flow, temperature and pressure

Description of Valve

- Sizes: from 3" (80mm) to 48" (1200mm) as standard with additional sizes considered upon request.
- Pressure Class: #150, #300 & #600 Class
- ASME rated valves are standard with higher pressure class valves considered upon request.
- Temperature Range: -50°F to 750°F
- Seats; Disc Seat is 316SS w/graphite; disc seat 316SS as standard; other designs available upon request
- Face to Face: standard F/F dimensions are per AMSE B16.10, API 609, ISO 5752 and BS 5155. with API 598. Other testing standards such as ISO 5208 are available upon request.
- Flow Direction: all valves offer bidirectional flow capability while complying with API 598 for seat leak testing.
- Fire Safe: Triple Off Set Valves are inherently fire safe by design.
- Top Works: All Triple Off Set Valves bonnets are designed to ISO 5211 Standard bolt pattern and can be ordered bare stem, Gear Actuators can be supplied by request.

Applications

- Block/Isolation
- Modulating; manual, pneumatic, or electric motor operators.

Industries

- Refinery
- Chemical
- Petrochemical
- Power
- Steam Generation
- Water/Waste Water Treatment

Triple Offset Butterfly Valve

Features

- Anti-blow out proof stem
- Field replaceable Seats for the disc seat and the body seat
- Large bearing surfaces in bonnet
- Graphite packing as standard with alternative packing materials and configurations available upon request including live loaded packing, Fugitive Emissions qualified and lubricator designs are available
- Shaft Key and tangential disc pin provide for positive disc to shaft connection

Design

The Triple Offset Butterfly valve has been designed to answer the industries demand for an alternate solution to gate valves and ball valves where weight, space, performance, and the ability to modulate to the process flow were an issue. In regard to the "performance" aspect, Pratt Industrial Triple Offset Valve design provides for:

- Friction free seat design: this is accomplished by the design of the triple offset engineered solution. In the butterfly class of valves there are three basic families or designs; Concentric, Double Offset, otherwise known as High Performance and now the Triple Offset design. The drawback of the previous design is contact between the seat and the Disc surfaces which causes:
 1. Premature wear of the seat in general areas.
 2. Increased breakout, seating and run torques which increase actuator costs and degrade valve performance in modulating applications.
- Bidirectional flow provides leakage performance according to API 598 and exhibits the following advantages:
 1. The "torque seated-design" facilitates closing the valve using the fluid force. The sealing capacity of the sealing surface is directly proportional to the torque applied.
 2. The "concave" design of the disc on the opposing side of the shaft acts like a flow wing creating a "low pressure zone" which artificially increases the fluid dynamics of the valve, which enhances the valves flow capacity.

TRIPLE ECCENTRIC DISC-SHAFT

The Triple Offset Butterfly Valve Design:

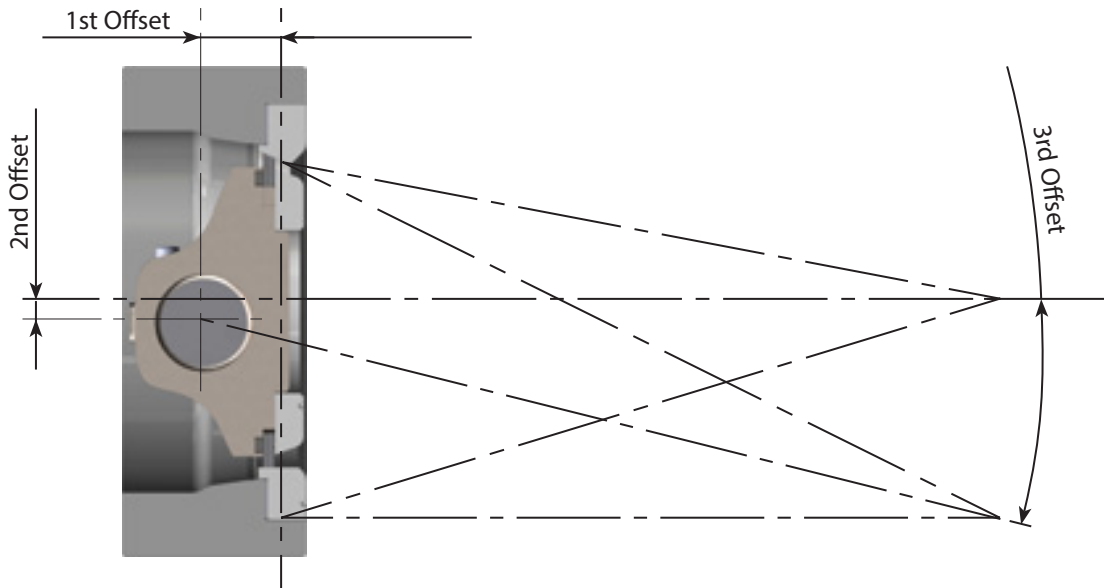
1st Offset: It is accomplished by moving the centerline of the shaft away from the seating plane.

2nd Offset: It is accomplished by moving the centerline of the shaft offset from the centerline bore of the valve.

These two design features cause the disc to open and close relative to the body seat in a “camming” action and effectuate the position seated valve design which is typical of the High Performance Butterfly Valve, however there is still contact between the disc and the seat in the first several degrees of opening and closing which can cause premature wear of the seat in the general areas.

In order to achieve an API 598 Shut Off classification a 3rd offset needed to be introduced to make the valve a “torque seated” design with graphite and metal seating surfaces.

3rd Offset: It is accomplished by adjusting the cone angle created by the 1st and 2nd offset angles at some point downstream of the valve in the center of the piping to the adjacent piping wall as depicted in the illustration below “Sticking tendency”. By incorporating the 3 offsets into one design typical of gate valves is eliminated with seat contact throughout the entire stroke reducing run torques and improving actuator modulating performance at the same time.

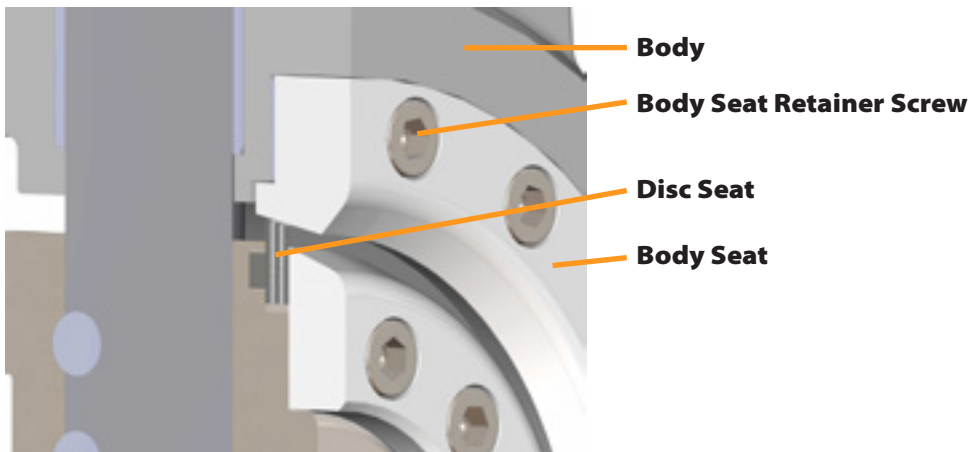
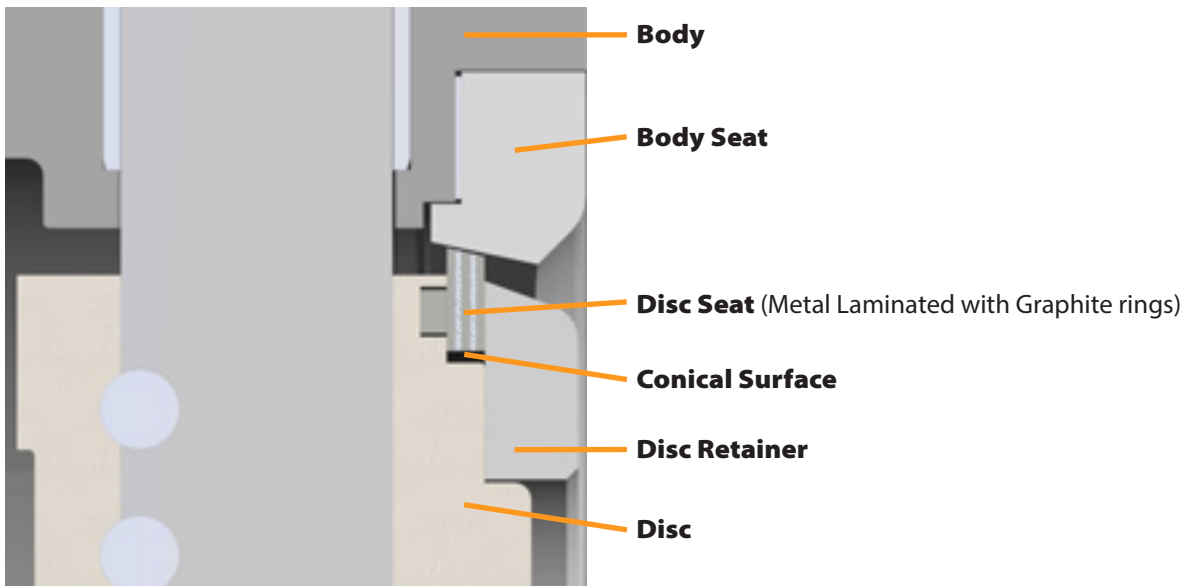


LAMINATED DISC SEAT

- Metallic Seat are laminated with graphite.

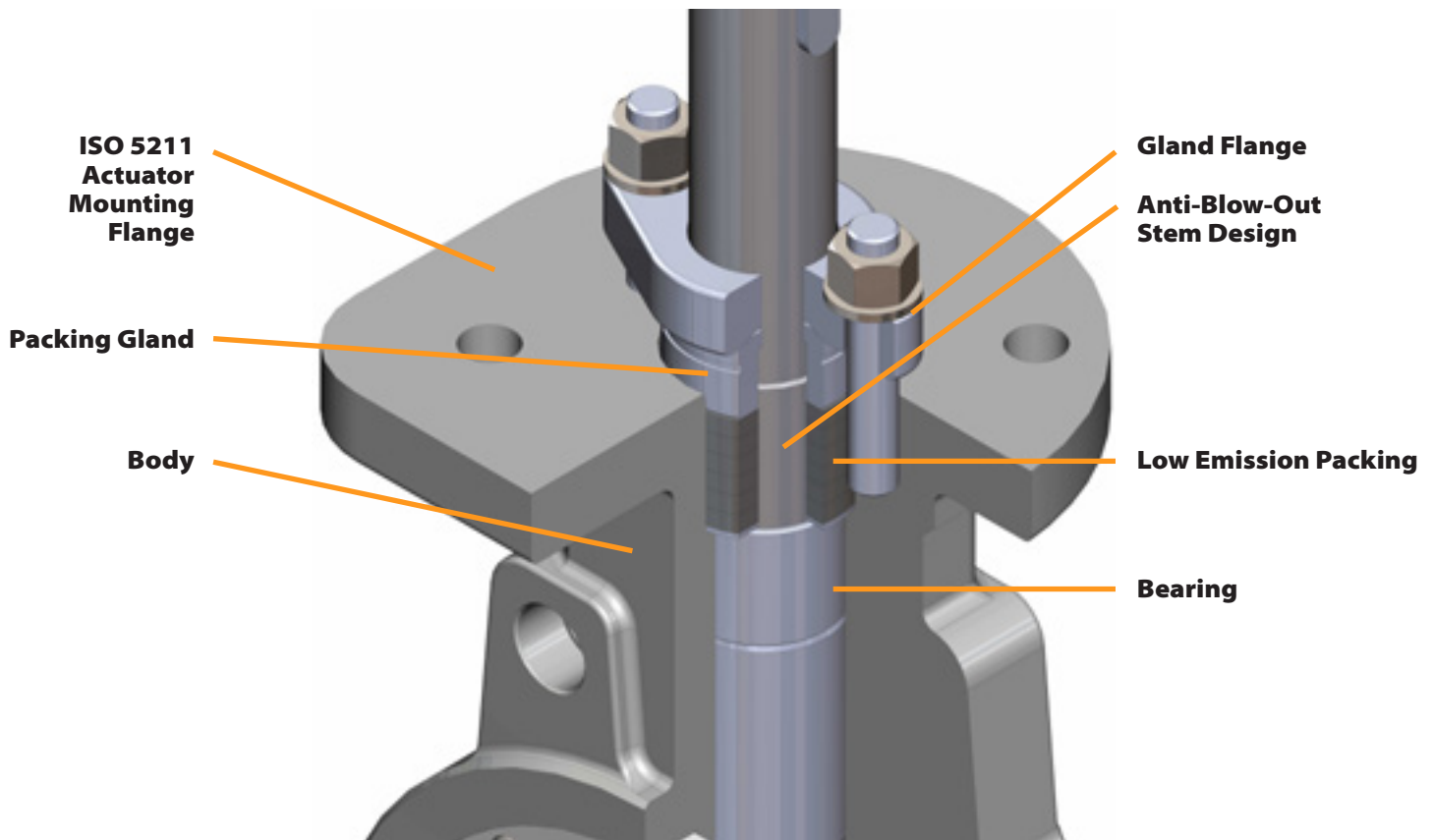
BLOW-OUT PROOF SEAT

- TE Series Triple Offset Butterfly Valve has a unique seat and seat retainer design to minimize the seat movement.
- The seat retainer is bolted to the body holding the seat in the seat pocket, thus avoiding a blow-out.
- The Valve design is suitable for dead-end service with shaft downstream and in the lug or double flange configuration.



STANDARD FEATURES

Blow-out Proof Stem and Low Emission Packing



BLOW-OUT PROOF STEM

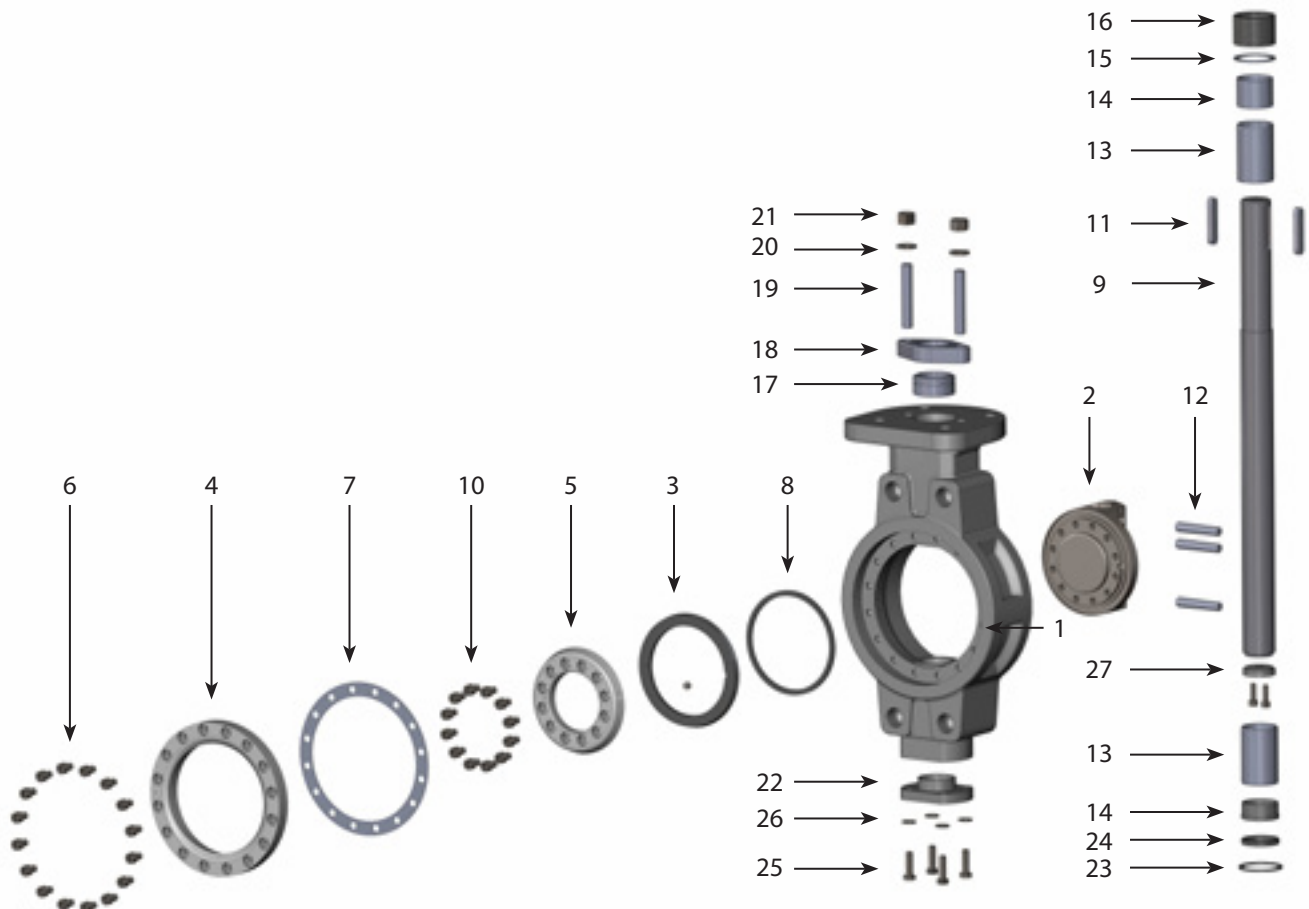
- The stem is fitted with a “Retainer Ring” which restricts the shaft from a “blowout” in case of body leakage. This design is compliant with API 609 and relevant piping codes.
- Low Emissions Packing complies with industry standards down to 100 ppm.

DIRECT ACTUATOR MOUNTING

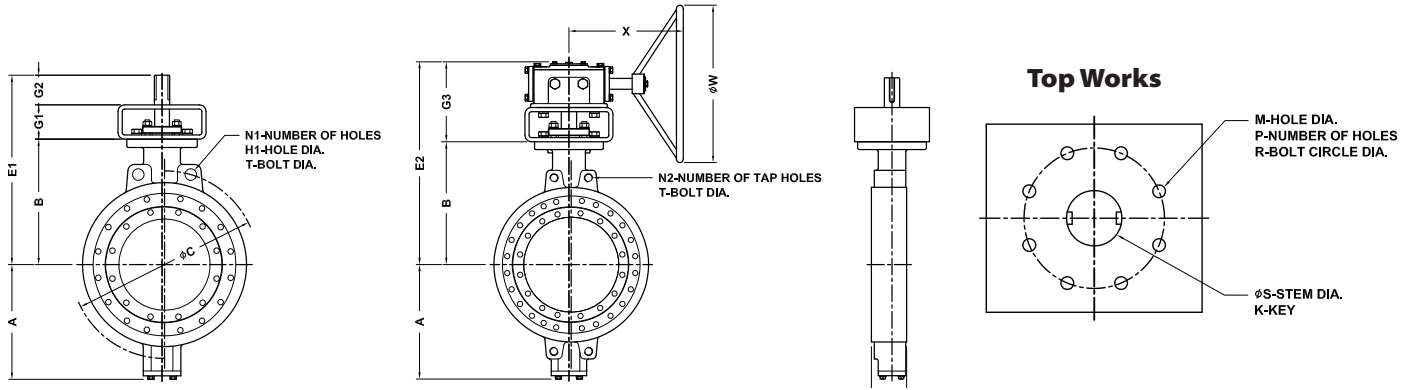
- TE Series Triple Offset Butterfly Valve bonnet flanges are manufactured in compliance with Pratt Standards and will accept standard mounting bracket designs accordingly.
- The Mounting Flange is drilled with ISO 5211 hole pattern.

STANDARD PARTS & MATERIALS

No.	Part Name	Standard	Standard
1	Body	A216-WCB	A351-CF8M
2	Disc	A216-WCB	A351-CF8M
3	Disc Seat	Stainless Steel 316	Stainless Steel 316
4	Body Seat	Laminated Stainless Steel Duplex/Graphite	Laminated Stainless Steel Duplex/Graphite
5	Seat Retainer	Stainless Steel 316	Stainless Steel 316
6	Seat Retainer Screw	Stainless Steel	Stainless Steel
7	Body Seat Gasket	Graphite	Graphite
8	Disc Seat Gasket	Graphite	Graphite
9	Stem	A564-630 H1100	A564-630 H1100
10	Disc Seat Screw	Stainless Steel	Stainless Steel
11	Key	630SS	630SS
12	Disc Pin	Stainless Steel 316	Stainless Steel 316
13	Stem Bearing	Stainless Steel 304 + Nitr. or Hcr.	Stainless Steel 304 + Nitr. or Hcr.
14	Collar	Stainless Steel 304	Stainless Steel 316
15	Packing Retainer	Stainless Steel 316	Stainless Steel 316
16	Packing	Graphite	Graphite
17	Packing Gland	Stainless Steel 304	Stainless Steel 316
18	Gland Flange	Stainless Steel 304	Stainless Steel 316
19	Stud Bolt	Stainless Steel	Stainless Steel
20	Spring Washer	Stainless Steel	Stainless Steel
21	Nut	Stainless Steel	Stainless Steel
22	End Cap	Steel	Stainless Steel 316
23	End Gasket	Graphite	Graphite
24	Shaft Retainer	Stainless Steel 316	Stainless Steel 316
25	End Cap Bolt	Stainless Steel	Stainless Steel
26	Spring Washer	Stainless Steel	Stainless Steel
27	Thrust Bearing	Stainless Steel 304	Stainless Steel 316



TRIPLE OFFSET BUTTERFLY VALVE WAFER TYPE



Class 150 - Unit Inch

Size	A	B	G1	G2	G3	E1	E2	X	W	L1	L2	C	T	Flange Drilling			Top Works				
														N1	N2	H1	M	P	R	S	KEY
3	4.77	5.31	2.76	1.38	6.22	9.45	11.53	7.66	9.84	1.89	4.49	6.00	5/8"-11 UNC	2		3/4	0.43	4	4.02	0.75	0.24x0.24
4	5.87	6.30	2.76	1.38	6.22	10.44	12.52	7.66	9.84	2.13	5.00	7.50	5/8"-11 UNC	4		3/4	0.43	4	4.02	0.87	0.31x0.28
6	7.13	8.27	3.15	1.57	6.61	12.99	14.88	7.66	9.84	2.24	5.51	9.50	3/4"-10 UNC	2		7/8	0.43	4	4.02	1.02	0.31x0.28
8	8.11	9.25	3.15	1.97	7.11	14.37	16.36	9.67	11.81	2.52	5.98	11.75	3/4"-10 UNC	2		7/8	0.51	4	4.92	1.14	0.31x0.28
10	9.84	10.83	3.54	2.36	7.60	16.73	18.43	10.81	15.75	2.80	6.50	14.25	7/8"-9 UNC	4		1	0.67	4	5.51	1.38	0.39x0.31
12	10.90	11.61	3.54	2.36	8.32	17.51	19.93	12.54	19.69	3.19	7.01	17.00	7/8"-9 UNC	4		1	0.83	4	6.50	1.50	0.47x0.31
14	11.92	13.00	3.94	2.36	8.72	19.30	21.72	12.54	19.69	3.62	7.48	18.75	1"-8 UNC		4		0.83	4	6.50	1.50	0.47x0.31
16	13.74	14.76	4.72	2.95	9.56	22.43	24.32	13.86	22.05	4.02	8.50	21.25	1"-8 UNC		4		0.83	4	6.50	1.85	0.55x0.35
18	15.29	15.75	4.72	2.95	9.56	23.42	25.31	14.55	22.05	4.49	8.74	22.75	1 1/8"-8 UNC		4		0.83	4	6.50	2.05	0.63x0.39
20	16.47	17.13	4.72	2.95	9.56	24.80	26.69	14.55	22.05	5.00	9.02	25.00	1 1/8"-8 UNC		4		0.83	4	6.50	2.13	0.63x0.39
24	19.49	20.28	5.51	4.53	11.45	30.32	31.73	17.32	24.80	6.06	10.51	29.50	1 1/4"-8 UNC		4		0.67	8	10.00	2.76	0.79x0.47
26	21.46	21.85	5.51	4.53	11.69	31.89	33.54	19.92	27.95	6.50	11.50	31.75	1 1/4"-8 UNC		4		0.83	8	11.73	2.76	0.79x0.47
28	22.84	22.83	6.30	4.53	14.45	33.66	37.28	23.82	31.50	6.50	11.50	34.00	1 1/4"-8 UNC		4		1.22	8	14.02	3.15	0.87x0.55
30	23.23	24.21	6.30	5.12	14.45	35.63	38.66	23.82	31.50	7.48	12.52	36.00	1 1/4"-8 UNC		4		1.22	8	14.02	3.35	0.98x0.55
32	24.61	25.20	6.30	5.12	15.59	36.62	40.79	24.92	35.43	7.48	12.52	38.50	1 1/2"-8 UNC		4		1.50	8	15.98	3.54	0.98x0.55
34	27.36	27.17	6.30	5.12	15.59	38.59	42.76	24.96	35.43	7.99	12.99	40.50	1 1/2"-8 UNC		4		1.50	8	15.98	3.94	1.10x0.63
36	27.56	28.35	7.09	5.91	16.38	41.35	44.73	24.96	35.43	7.99	12.99	42.75	1 1/2"-8 UNC		4		1.50	8	15.98	3.94	1.10x0.63
40	28.74	29.92	7.09	6.30	16.38	43.31	46.30	24.96	35.43	8.50	16.14	47.25	1 1/2"-8 UNC		4		1.50	8	15.98	4.33	1.26x0.71
42	32.09	30.31	7.09	6.30	17.92	43.70	48.23	32.32	39.37	9.49	16.14	49.50	1 1/2"-8 UNC		4		1.50	12	19.02	4.33	1.26x0.71
46	35.04	33.07	7.09	6.30	17.92	46.46	50.99	32.32	39.37	10.00	18.50	53.75	1 1/2"-8 UNC		4		1.50	12	19.02	4.72	1.26x0.71
48	35.43	36.22	7.87	7.87	18.81	51.96	55.03	36.18	31.50	10.00	18.50	56.00	1 1/2"-8 UNC		4		1.50	12	19.02	5.51	1.42x0.79

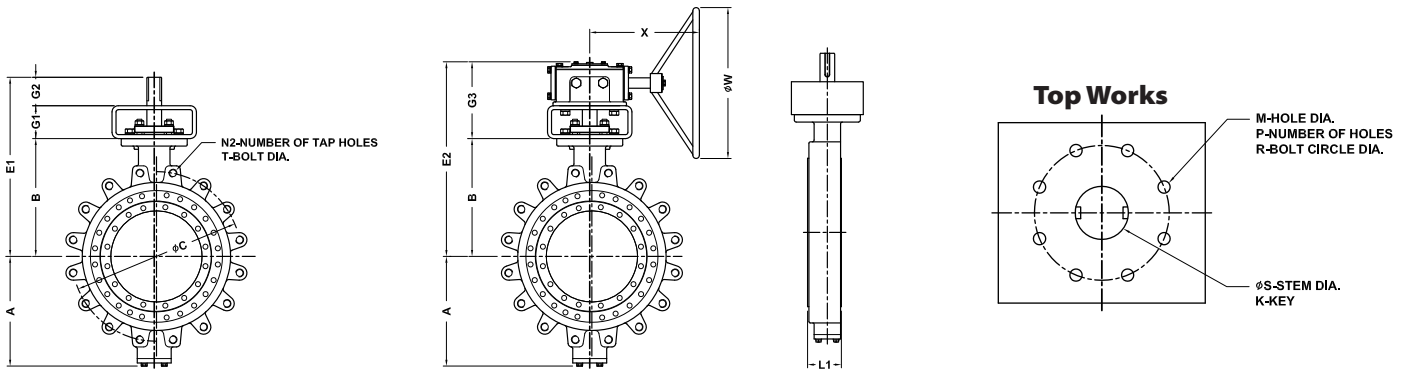
Class 300 - Unit Inch

Size	A	B	G1	G2	G3	E1	E2	X	W	L1	L2	C	T	Flange Drilling			Top Works				
														N1	N2	H1	M	P	R	S	KEY
3	4.77	5.31	2.76	1.38	6.22	9.45	11.53	7.66	9.84	1.89	4.49	6.62	3/4"-10 UNC	4		-	0.43	4	4.02	0.75	0.24x0.24
4	5.87	6.30	2.76	1.38	6.22	10.44	12.52	7.66	9.84	2.13	5.00	7.88	3/4"-10 UNC	4		7/8	0.43	4	4.02	0.87	0.31x0.28
6	7.59	8.86	3.15	1.97	7.11	13.98	15.97	9.67	11.81	2.32	5.51	10.62	3/4"-10 UNC		4		0.51	4	4.92	1.14	0.31x0.28
8	9.17	10.63	3.54	2.36	7.60	16.53	18.23	10.81	15.75	2.87	5.98	13.00	7/8"-9 UNC		4		0.67	4	5.51	1.38	0.39x0.31
10	10.43	11.22	3.94	2.36	8.72	17.52	19.94	12.54	19.69	3.27	6.50	15.25	1"-8 UNC		4		0.83	4	6.50	1.50	0.47x0.31
12	11.81	12.99	4.72	2.36	9.56	20.07	22.55	13.86	22.05	3.62	7.01	17.75	1 1/8"-8 UNC		4		0.83	4	6.50	1.65	0.47x0.31
14	13.76	14.57	4.72	2.95	9.56	22.24	24.13	14.55	22.05	4.61	7.48	20.25	1 1/8"-8 UNC		4		0.83	4	6.50	2.05	0.63x0.39
16	14.90	16.34	5.12	3.94	11.06	25.40	27.40	17.32	24.80	5.24	8.50	22.50	1 1/4"-8 UNC		4		0.67	8	10.00	2.36	0.71x0.43
18	16.54	18.11	5.51	4.53	11.81	28.15	29.92	18.50	27.95	5.87	8.74	24.75	1 1/4"-8 UNC		4		0.83	8	11.73	2.56	0.79x0.47
20	18.70	19.69	5.51	4.53	11.69	29.73	31.38	19.92	27.95	6.26	9.02	27.00	1 1/4"-8 UNC		4		0.83	8	11.73	2.76	0.79x0.47
24	21.07	22.05	6.30	5.12	14.45	33.47	36.50	23.82	31.50	7.13	10.51	32.00	1 1/2"-8 UNC		4		1.26	8	14.02	3.35	0.98x0.55
26	23.43	25.20	6.30	5.12	14.45	36.62	39.65	23.82	31.50	8.27	11.50	34.50	1 5/8"-8 UNC		4		1.22	8	14.02	3.54	0.98x0.55
28	25.59	25.98	6.30	5.12	15.59	37.40	41.57	24.96	35.43	9.02	11.50	37.00	1 5/8"-8 UNC		4		1.50	8	15.98	3.94	1.10x0.63
30	27.17	26.57	7.09	5.12	16.38	38.78	42.95	24.96	35.43	9.06	12.52	39.25	1 3/4"-8 UNC		4		1.50	8	15.98	4.33	1.26x0.71
32	28.15	27.95	7.09	5.12	16.38	40.16	44.33	24.96	35.43	9.49	12.52	41.50	1 7/8"-8 UNC		4		1.50	8	15.98	4.33	1.26x0.71
34	29.33	29.33	7.87	6.30	18.70	43.50	48.03	32.32	39.37	9.49	12.99	43.50	1 7/8"-8 UNC		4		1.50	12	19.02	4.72	1.26x0.71
36	30.11	30.91	7.87	7.87	18.81	46.65	49.72	36.18	31.50	10.75	12.99	46.00	2"-8 UNC		4		1.50	12	19.02	5.51	1.42x0.79

Class 600 - Unit Inch

Size	A	B	G1	G2	G3	E1	E2	X	W	L1	L2	C	T	Flange Drilling			Top Works				
														N1	N2	H1	M	P	R	S	KEY
4	6.61	7.68	3.15	1.97	7.11	12.80	14.79	9.67	11.81	2.51	7.48	8.50	7/8"-9 UNC		4		0.51	4	4.92	1.14	0.31x0.28
6	8.85	9.84	3.94	2.36	8.72	16.14	18.56	12.54	19.69	3.07	8.27	11.50	1"-8 UNC		4		0.83	4	6.50	1.50	0.47x0.31
8	10.04	10.83	4.72	2.95	9.56	18.50	20.39	13.86	22.05	4.02	9.06	13.75	1 1/8"-8 UNC		4		0.83	4	6.50	1.77	0.55x0.35
10	11.75	12.60	4.72	2.95	9.56	20.27	22.16	14.55	22.05	4.61	9.84	17.00	1 1/4"-8 UNC		4		0.83	4	6.50	2.13	0.63x0.39
12	13.58	14.57	5.12	4.53	11.06	24.22	25.63	17.32	24.80	5.51	10.63	19.25	1 1/4"-8 UNC		4		0.67	8	10.00	2.56	0.79x0.47
14	14.76	15.94	5.51	4.53	11.81	25.98	27.75	18.50	27.95	6.10	11.42	20.75	1 3/8"-8 UNC		4		0.83	8	11.73	2.76	0.79x0.47
16	16.93	17.91	6.30	5.12	12.48	29.33	30.39	19.92	27.95	7.01	12.20	23.75	1 1/2"-8 UNC		4		0.83	8	11.73	3.35	0.98x0.55
18	18.51	19.09	6.30	5.12	14.45	30.51	33.54	23.82	31.50	7.87	12.99	25.75	1 5/8"-8 UNC		4		1.22	8	14.02	3.54	0.98x0.55
20	20.48	20.08	6.30	5.12	14.45	31.50	34.53	23.82	31.50	8.50	13.78	28.50	1 5/8"-8 UNC		4		1.50	8	15.98	3.94	1.10x0.63
24	24.61	24.80	7.09	6.89	16.38	38.78	41.18	24.96	35.43	9.13	15.35	33.00	1 7/8"-8 UNC		4		1.50	8	15.98	4.92	1.26x0.71
26	26.58	26.77	7.09	9.06	17.16	42.92	43.93	24.92	35.43	10.75	15.35	36.00	1 7/8"-8 UNC		4		1.50	8	15.98	5.90	1.57x0.87
28	27.36	28.74	7.87	8.27	18.81	44.88	47.55	36.18	31.50	12.20	16.93	38.00	2"-8 UNC		4		1.50	12	19.02	5.90	1.57x0.87
30	28.94	29.92	7.87	8.86	20.11	46.65	50.03	37.76	35.43	13.00	17.72	40.25	2"-8 UNC		4		1.50	12	19.02	6.29	1.57x0.87

TRIPLE OFFSET BUTTERFLY VALVE LUG TYPE



Class 150 - Unit Inch

Size	A	B	G1	G2	G3	E1	E2	X	W	L1	L2	C	T	Flange Drilling		Top Works				
														N2	M	P	R	S	KEY	
3	4.77	5.31	2.76	1.38	6.22	9.45	11.53	7.66	9.84	1.89	4.49	6.00	5/8"-11 UNC	4	0.43	4	4.02	0.75	0.24x0.24	
4	5.87	6.30	2.76	1.38	6.22	10.44	12.52	7.66	9.84	2.13	5.00	7.50	5/8"-11 UNC	8	0.43	4	4.02	0.87	0.31x0.28	
6	7.13	8.27	3.15	1.57	6.61	12.99	14.88	7.66	9.84	2.24	5.51	9.50	3/4"-10 UNC	8	0.43	4	4.02	1.02	0.31x0.28	
8	8.11	9.25	3.15	1.97	7.11	14.37	16.36	9.67	11.81	2.52	5.98	11.75	3/4"-10 UNC	8	0.51	4	4.92	1.14	0.31x0.28	
10	9.84	10.83	3.54	2.36	7.60	16.73	18.43	10.81	15.75	2.80	6.50	14.25	7/8"-9 UNC	12	0.67	4	5.51	1.38	0.39x0.31	
12	10.90	11.61	3.54	2.36	8.32	17.51	19.93	12.54	19.69	3.19	7.01	17.00	7/8"-9 UNC	12	0.83	4	6.50	1.50	0.47x0.31	
14	11.92	13.00	3.94	2.36	8.72	19.30	21.72	12.54	19.69	3.62	7.48	18.75	1"-8 UNC	12	0.83	4	6.50	1.50	0.47x0.31	
16	13.74	14.76	4.72	2.95	9.56	22.43	24.32	13.86	22.05	4.02	8.50	21.25	1"-8 UNC	16	0.83	4	6.50	1.85	0.55x0.35	
18	15.29	15.75	4.72	2.95	9.56	23.42	25.31	14.55	22.05	4.49	8.74	22.75	1 1/8"-8 UNC	16	0.83	4	6.50	2.05	0.63x0.39	
20	16.47	17.13	4.72	2.95	9.56	24.80	26.69	14.55	22.05	5.00	9.02	25.00	1 1/8"-8 UNC	20	0.83	4	6.50	2.13	0.63x0.39	
24	19.49	20.28	5.51	4.53	11.45	30.32	31.73	17.32	24.80	6.06	10.51	29.50	1 1/4"-8 UNC	20	0.67	8	10.00	2.76	0.79x0.47	
26	21.46	21.85	5.51	4.53	11.69	31.89	33.54	19.92	27.95	6.50	11.50	31.75	1 1/4"-8 UNC	24	0.83	8	11.73	2.76	0.79x0.47	
28	22.84	22.83	6.30	4.53	14.45	33.66	37.28	23.82	31.50	6.50	11.50	34.00	1 1/4"-8 UNC	28	1.22	8	14.02	3.15	0.87x0.55	
30	23.23	24.21	6.30	5.12	14.45	35.63	38.66	23.82	31.50	7.48	12.52	36.00	1 1/4"-8 UNC	28	1.22	8	14.02	3.35	0.98x0.55	
32	24.61	25.20	6.30	5.12	15.59	36.62	40.79	24.92	35.43	7.48	12.52	38.50	1 1/2"-8 UNC	28	1.50	8	15.98	3.54	0.98x0.55	
34	27.36	27.17	6.30	5.12	15.59	38.59	42.76	24.96	35.43	7.99	12.99	40.50	1 1/2"-8 UNC	32	1.50	8	15.98	3.94	1.10x0.63	
36	27.56	28.35	7.09	5.91	16.38	41.35	44.73	24.96	35.43	7.99	12.99	42.75	1 1/2"-8 UNC	32	1.50	8	15.98	3.94	1.10x0.63	
40	28.74	29.92	7.09	6.30	16.38	43.31	46.30	24.96	35.43	8.50	16.14	47.25	1 1/2"-8 UNC	36	1.50	8	15.98	4.33	1.26x0.71	
42	32.09	30.31	7.09	6.30	17.92	43.70	48.23	32.32	39.37	9.49	16.14	49.50	1 1/2"-8 UNC	36	1.50	12	19.02	4.33	1.26x0.71	
46	35.04	33.07	7.09	6.30	17.92	46.46	50.99	32.32	39.37	10.00	18.50	53.75	1 1/2"-8 UNC	40	1.50	12	19.02	4.72	1.26x0.71	
48	35.43	36.22	7.87	7.87	18.81	51.96	55.03	36.18	31.50	10.00	18.50	56.00	1 1/2"-8 UNC	44	1.50	12	19.02	5.51	1.42x0.79	

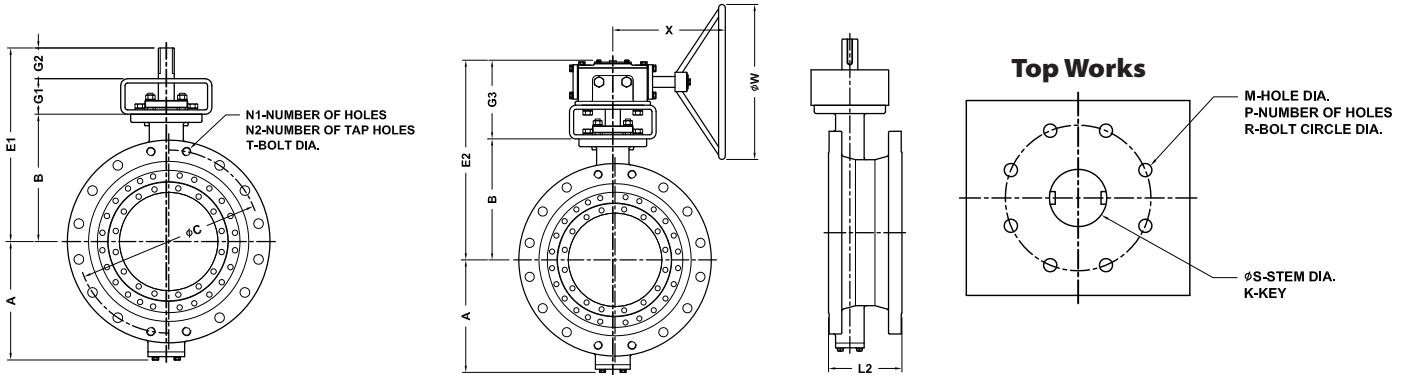
Class 300 - Unit Inch

Size	A	B	G1	G2	G3	E1	E2	X	W	L1	L2	C	T	Flange Drilling		Top Works				
														N2	M	P	R	S	KEY	
3	4.77	5.31	2.76	1.38	6.22	9.45	11.53	7.66	9.84	1.89	4.49	6.62	3/4"-10 UNC	8	0.43	4	4.02	0.75	0.24x0.24	
4	5.87	6.30	2.76	1.38	6.22	10.44	12.52	7.66	9.84	2.13	5.00	7.88	3/4"-10 UNC	8	0.43	4	4.02	0.87	0.31x0.28	
6	7.59	8.86	3.15	1.97	7.11	13.98	15.97	9.67	11.81	2.32	5.51	10.62	3/4"-10 UNC	12	0.51	4	4.92	1.14	0.31x0.28	
8	9.17	10.63	3.54	2.36	7.60	16.53	18.23	10.81	15.75	2.87	5.98	13.00	7/8"-9 UNC	12	0.67	4	5.51	1.38	0.39x0.31	
10	10.43	11.22	3.94	2.36	8.72	17.52	19.94	12.54	19.69	3.27	6.50	15.25	1"-8 UNC	16	0.83	4	6.50	1.50	0.47x0.31	
12	11.81	12.99	4.72	2.36	9.56	20.07	22.55	13.86	22.05	3.62	7.01	17.75	1 1/8"-8 UNC	16	0.83	4	6.50	1.65	0.47x0.31	
14	13.76	14.57	4.72	2.95	9.56	22.24	24.13	14.55	22.05	4.61	7.48	20.25	1 1/8"-8 UNC	20	0.83	4	6.50	2.05	0.63x0.39	
16	14.90	16.34	5.12	3.94	11.06	25.40	27.40	17.32	24.80	5.24	8.50	22.50	1 1/4"-8 UNC	20	0.67	8	10.00	2.36	0.71x0.43	
18	16.54	18.11	5.51	4.53	11.81	28.15	29.92	18.50	27.95	5.87	8.74	24.75	1 1/4"-8 UNC	24	0.83	8	11.73	2.56	0.79x0.47	
20	18.70	19.69	5.51	4.53	11.69	29.73	31.38	19.92	27.95	6.26	9.02	27.00	1 1/4"-8 UNC	24	0.83	8	11.73	2.76	0.79x0.47	
24	21.07	22.05	6.30	5.12	14.45	33.47	36.50	23.82	31.50	7.13	10.51	32.00	1 1/2"-8 UNC	24	1.26	8	14.02	3.35	0.98x0.55	
26	23.43	25.20	6.30	5.12	14.45	36.62	39.65	23.82	31.50	8.27	11.50	34.50	1 1/2"-8 UNC	28	1.22	8	14.02	3.54	0.98x0.55	
28	25.59	25.98	6.30	5.12	15.59	37.40	41.57	24.96	35.43	9.02	11.50	37.00	1 1/2"-8 UNC	28	1.50	8	15.98	3.94	1.10x0.63	
30	27.17	26.57	7.09	5.12	16.38	38.78	42.95	24.96	35.43	9.06	12.52	39.25	1 3/4"-8 UNC	28	1.50	8	15.98	4.33	1.26x0.71	
32	28.15	27.95	7.09	5.12	16.38	40.16	44.33	24.96	35.43	9.49	12.52	41.50	1 7/8"-8 UNC	28	1.50	8	15.98	4.33	1.26x0.71	
34	29.33	29.33	7.87	6.30	18.70	43.50	48.03	32.32	39.37	9.49	12.99	43.50	1 7/8"-8 UNC	28	1.50	12	19.02	4.72	1.26x0.71	
36	30.11	30.91	7.87	7.87	18.81	46.65	49.72	36.18	31.50	10.75	12.99	46.00	2"-8 UNC	32	1.50	12	19.02	5.51	1.42x0.79	

Class 600 - Unit Inch

Size	A	B	G1	G2	G3	E1	E2	X	W	L1	L2	C	T	Flange Drilling		Top Works				
														N2	M	P	R	S	KEY	
4	6.61	7.68	3.15	1.97	7.11	12.80	14.79	9.67	11.81	2.51	7.48	8.50	7/8"-9 UNC	8	0.51	4	4.92	1.14	0.31x0.28	
6	8.85	9.84	3.94	2.36	8.72	16.14	18.56	12.54	19.69	3.07	8.27	11.50	1"-8 UNC	12	0.83	4	6.50	1.50	0.47x0.31	
8	10.04	10.83	4.72	2.95	9.56	18.50	20.39	13.86	22.05	4.02	9.06	13.75	1 1/8"-8 UNC	12	0.83	4	6.50	1.77	0.55x0.35	
10	11.75	12.60	4.72	2.95	9.56	20.27	22.16	14.55	22.05	4.61	9.84	17.00	1 1/4"-8 UNC	16	0.83	4	6.50	2.13	0.63x0.39	
12	13.58	14.57	5.12	4.53	11.06	24.22	25.63	17.32	24.80	5.51	10.63	19.25	1 1/4"-8 UNC	20	0.67	8	10.00	2.56	0.79x0.47	
14	14.76	15.94	5.51	4.53	11.81	25.98	27.75	18.50	27.95	6.10	11.42	20.75	1 3/8"-8 UNC	20	0.83	8	11.73	2.76	0.79x0.47	
16	16.93	17.91	6.30	5.12	12.48	29.33	30.39	19.92	27.95	7.01	12.20	23.75	1 1/2"-8 UNC	20	0.83	8	11.73	3.35	0.98x0.55	
18	18.51	19.09	6.30	5.12	14.45	30.51	33.54	23.82	31.50	7.87	12.99	25.75	1 5/8"-8 UNC	20	1.22	8	14.02	3.54	0.98x0.55	
20	20.48	20.08	6.30	5.12	14.45	31.50	34.53	23.82	31.50	8.50	13.78	28.50	1 5/8"-8 UNC	24	1.50	8	15.98	3.94	1.10x0.63	
24	24.61	24.80	7.09	6.89	16.38	38.78	41.18	24.96	35.43	9.13	15.35	33.00	1 7/8"-8 UNC	24	1.50	8	15.98	4.92	1.26x0.71	
26	26.58	26.77	7.09	9.06	17.16	42.92	43.93	24.92	35.43	10.75	15.35	36.00	1 7/8"-8 UNC	28	1.50	8	15.98	5.90	1.57x0.87	
28	27.36	28.74	7.87	8.27	18.81	44.88	47.55	36.18	31.50	12.20	16.93	38.00	2"-8 UNC	28	1.50	12	19.02	5.90	1.57x0.87	
30	28.94	29.92	7.87	8.86	20.11	46.65	50.03	37.76	35.43	13.00	17.72	40.25	2"-8 UNC	28	1.50	12	19.02	6.29	1.57x0.87	

TRIPLE OFFSET BUTTERFLY VALVE FLANGE TYPE



Class 150 - Unit Inch

Size	A	B	G1	G2	G3	E1	E2	X	W	L1	L2	C	T	Flange Drilling		Top Works				
														N1	N2	M	P	R	S	KEY
3	4.77	5.31	2.76	1.38	6.22	9.45	11.53	7.66	9.84	1.89	4.49	6.00	5/8"-11 UNC	4	4	0.43	4	4.02	0.75	0.24x0.24
4	5.87	6.30	2.76	1.38	6.22	10.44	12.52	7.66	9.84	2.13	5.00	7.50	5/8"-11 UNC	4	4	0.43	4	4.02	0.87	0.31x0.28
6	7.13	8.27	3.15	1.57	6.61	12.99	14.88	7.66	9.84	2.24	5.51	9.50	3/4"-10 UNC	4	4	0.43	4	4.02	1.02	0.31x0.28
8	8.11	9.25	3.15	1.97	7.11	14.37	16.36	9.67	11.81	2.52	5.98	11.75	3/4"-10 UNC	4	4	0.51	4	4.92	1.14	0.31x0.28
10	9.84	10.83	3.54	2.36	7.60	16.73	18.43	10.81	15.75	2.80	6.50	14.25	7/8"-9 UNC	8	4	0.67	4	5.51	1.38	0.39x0.31
12	10.90	11.61	3.54	2.36	8.32	17.51	19.93	12.54	19.69	3.19	7.01	17.00	7/8"-9 UNC	8	4	0.83	4	6.50	1.50	0.47x0.31
14	11.92	13.00	3.94	2.36	8.72	19.30	21.72	12.54	19.69	3.62	7.48	18.75	1"-8 UNC	8	4	0.83	4	6.50	1.50	0.47x0.31
16	13.74	14.76	4.72	2.95	9.56	22.43	24.32	13.86	22.05	4.02	8.50	21.25	1"-8 UNC	12	4	0.83	4	6.50	1.85	0.55x0.35
18	15.29	15.75	4.72	2.95	9.56	23.42	25.31	14.55	22.05	4.49	8.74	22.75	1 1/8"-8 UNC	12	4	0.83	4	6.50	2.05	0.63x0.39
20	16.47	17.13	4.72	2.95	9.56	24.80	26.69	14.55	22.05	5.00	9.02	25.00	1 1/8"-8 UNC	16	4	0.83	4	6.50	2.13	0.63x0.39
24	19.49	20.28	5.51	4.53	11.45	30.32	31.73	17.32	24.80	6.06	10.51	29.50	1 1/4"-8 UNC	16	4	0.67	8	10.00	2.76	0.79x0.47
26	21.46	21.85	5.51	4.53	11.69	31.89	33.54	19.92	27.95	6.50	11.50	31.75	1 1/4"-8 UNC	20	4	0.83	8	11.73	2.76	0.79x0.47
28	22.84	22.83	6.30	4.53	14.45	33.66	37.28	23.82	31.50	6.50	11.50	34.00	1 1/4"-8 UNC	24	4	1.22	8	14.02	3.15	0.87x0.55
30	23.23	24.21	6.30	5.12	14.45	35.63	38.66	23.82	31.50	7.48	12.52	36.00	1 1/4"-8 UNC	20	8	1.22	8	14.02	3.35	0.98x0.55
32	24.61	25.20	6.30	5.12	15.59	36.62	40.79	24.92	35.43	7.48	12.52	38.50	1 1/2"-8 UNC	20	8	1.50	8	15.98	3.54	0.98x0.55
34	27.36	27.17	6.30	5.12	15.59	38.59	42.76	24.96	35.43	7.99	12.99	40.50	1 1/2"-8 UNC	24	8	1.50	8	15.98	3.94	1.10x0.63
36	27.56	28.35	7.09	5.91	16.38	41.35	44.73	24.96	35.43	7.99	12.99	42.75	1 1/2"-8 UNC	24	8	1.50	8	15.98	3.94	1.10x0.63
40	28.74	29.92	7.09	6.30	16.38	43.31	46.30	24.96	35.43	8.50	16.14	47.25	1 1/2"-8 UNC	28	8	1.50	8	15.98	4.33	1.26x0.71
42	32.09	30.31	7.09	6.30	17.92	43.70	48.23	32.32	39.37	9.49	16.14	49.50	1 1/2"-8 UNC	28	8	1.50	12	19.02	4.33	1.26x0.71
46	35.04	33.07	7.09	6.30	17.92	46.46	50.99	32.32	39.37	10.00	18.50	53.75	1 1/2"-8 UNC	32	8	1.50	12	19.02	4.72	1.26x0.71
48	35.43	36.22	7.87	7.87	18.81	51.96	55.03	36.18	31.50	10.00	18.50	56.00	1 1/2"-8 UNC	36	8	1.50	12	19.02	5.51	1.42x0.79

Class 300 - Unit Inch

Size	A	B	G1	G2	G3	E1	E2	X	W	L1	L2	C	T	Flange Drilling		Top Works				
														N1	N2	M	P	R	S	KEY
3	4.77	5.31	2.76	1.38	6.22	9.45	11.53	7.66	9.84	1.89	4.49	6.62	3/4"-10 UNC	4	4	0.43	4	4.02	0.75	0.24x0.24
4	5.87	6.30	2.76	1.38	6.22	10.44	12.52	7.66	9.84	2.13	5.00	7.88	3/4"-10 UNC	4	4	0.43	4	4.02	0.87	0.31x0.28
6	7.59	8.86	3.15	1.97	7.11	13.98	15.97	9.67	11.81	2.32	5.51	10.62	3/4"-10 UNC	8	4	0.51	4	4.92	1.14	0.31x0.28
8	9.17	10.63	3.54	2.36	7.60	16.53	18.23	10.81	15.75	2.87	5.98	13.00	7/8"-9 UNC	8	4	0.67	4	5.51	1.38	0.39x0.31
10	10.43	11.22	3.94	2.36	8.72	17.52	19.94	12.54	19.69	3.27	6.50	15.25	1"-8 UNC	12	4	0.83	4	6.50	1.50	0.47x0.31
12	11.81	12.99	4.72	2.36	9.56	20.07	22.55	13.86	22.05	3.62	7.01	17.75	1 1/8"-8 UNC	12	4	0.83	4	6.50	1.65	0.47x0.31
14	13.76	14.57	4.72	2.95	9.56	22.24	24.13	14.55	22.05	4.61	7.48	20.25	1 1/8"-8 UNC	16	4	0.83	4	6.50	2.05	0.63x0.39
16	14.90	16.34	5.12	3.94	11.06	25.40	27.40	17.32	24.80	5.24	8.50	22.50	1 1/4"-8 UNC	16	4	0.67	8	10.00	2.36	0.71x0.43
18	16.54	18.11	5.51	4.53	11.81	28.15	29.92	18.50	27.95	5.87	8.74	24.75	1 1/4"-8 UNC	16	8	0.83	8	11.73	2.56	0.79x0.47
20	18.70	19.69	5.51	4.53	11.69	29.73	31.38	19.92	27.95	6.26	9.02	27.00	1 1/4"-8 UNC	16	8	0.83	8	11.73	2.76	0.79x0.47
24	21.07	22.05	6.30	5.12	14.45	33.47	36.50	23.82	31.50	7.13	10.51	32.00	1 1/2"-8 UNC	16	8	1.26	8	14.02	3.35	0.98x0.55
26	23.43	25.20	6.30	5.12	14.45	36.62	39.65	23.82	31.50	8.27	11.50	34.50	1 5/8"-8 UNC	20	8	1.22	8	14.02	3.54	0.98x0.55
28	25.59	25.98	6.30	5.12	15.59	37.40	41.57	24.96	35.43	9.02	11.50	37.00	1 5/8"-8 UNC	20	8	1.50	8	15.98	3.94	1.10x0.63
30	27.17	26.57	7.09	5.12	16.38	38.78	42.95	24.96	35.43	9.06	12.52	39.25	1 3/4"-8 UNC	20	8	1.50	8	15.98	4.33	1.26x0.71
32	28.15	27.95	7.09	5.12	16.38	40.16	44.33	24.96	35.43	9.49	12.52	41.50	1 7/8"-8 UNC	20	8	1.50	8	15.98	4.33	1.26x0.71
34	29.33	29.33	7.87	6.30	18.70	43.50	48.03	32.32	39.37	9.49	12.99	43.50	1 7/8"-8 UNC	20	8	1.50	12	19.02	4.72	1.26x0.71
36	30.11	30.91	7.87	7.87	18.81	46.65	49.72	36.18	31.50	10.75	12.99	46.00	2"-8 UNC	24	8	1.50	12	19.02	5.51	1.42x0.79

Class 600 - Unit Inch

Size	A	B	G1	G2	G3	E1	E2	X	W	L1	L2	C	T	Flange Drilling		Top Works				
														N1	N2	M	P	R	S	KEY
4	6.61	7.68	3.15	1.97	7.11	12.80	14.79	9.67	11.81	2.51	7.48	8.50	7/8"-9 UNC	4	4	0.51	4	4.92	1.14	0.31x0.28
6	8.85	9.84	3.94	2.36	8.72	16.14	18.56	12.54	19.69	3.07	8.27	11.50	1"-8 UNC	8	4	0.83	4	6.50	1.50	0.47x0.31
8	10.04	10.83	4.72	2.95	9.56	18.50	20.39	13.86	22.05	4.02	9.06	13.75	1 1/8"-8 UNC	8	4	0.83	4	6.50	1.77	0.55x0.35
10	11.75	12.60	4.72	2.95	9.56	20.27	22.16	14.55	22.05	4.61	9.84	17.00	1 1/4"-8 UNC	12	4	0.83	4	6.50	2.13	0.63x0.39
12	13.58	14.57	5.12	4.53	11.06	24.22	25.63	17.32	24.80	5.51	10.63	19.25	1 1/4"-8 UNC	12	8	0.67	8	10.00	2.56	0.79x0.47
14	14.76	15.94	5.51	4.53	11.81	25.98	27.75	18.50	27.95	6.10	11.42	20.75	1 3/8"-8 UNC	12	8	0.83	8	11.73	2.76	0.79x0.47
16	16.93	17.91	6.30	5.12	12.48	29.33	30.39	19.92	27.95	7.01	12.20	23.75	1 1/2"-8 UNC	12	8	0.83	8	11.73	3.35	0.98x0.55
18	18.51	19.09	6.30	5.12	14.45	30.51	33.54	23.82	31.50	7.87	12.99	25.75	1 5/8"-8 UNC	12	8	1.22	8	14.02	3.54	0.98x0.55
20	20.48	20.08	6.30	5.12	14.45	31.50	34.53	23.82	31.50	8.50	13.78	28.50	1 5/8"-8 UNC	16	8	1.50	8	15.98	3.94	1.10x0.63
24	24.61	24.80	7.09	6.89	16.38	38.78	41.18	24.96	35.43	9.13	15.35	33.00	1 7/8"-8 UNC	16	8	1.50	8	15.98	4.92	1.26x0.71
26	26.58	26.77	7.09	9.06	17.16	42.92	43.93	24.92	35.43	10.75	15.35	36.00	1 7/8"-8 UNC	20	8	1.50	8	15.98	5.90	1.57x0.87
28	27.36	28.74	7.87	8.27	18.81	44.88	47.55	36.18	31.50	12.20	16.93	38.00	2"-8 UNC	20	8	1.50	12	19.02	5.90	1.57x0.87
30	28.94	29.92	7.87	8.86	20.11	46.65	50.03	37.76	35.43	13.00	17.72	40.25	2"-8 UNC	20	8	1.50	12	19.02	6.29	1.57x0.87

TRIPLE OFFSET BUTTERFLY - TABLE OF WEIGHTS

Weight - Unit (LBS)

Size (Inch)	DN (mm)	CLASS 150 - Unit (Lbs)				CLASS 300 - Unit (Lbs)				CLASS 600 - Unit (Lbs)			
		WAFER	LUG	FLANGED	Weight of Gear Box (Lbs)	WAFER	LUG	FLANGED	Weight of Gear Box (Lbs)	WAFER	LUG	FLANGED	Weight of Gear
		BARE STEM				BARE STEM				BARE STEM			
3	80	17.6	19.8	30.9	17.6	17.6	22.0	37.5	17.6	0.0	0.0	0.0	0.0
4	100	26.5	30.9	41.9	17.6	26.5	35.3	61.7	17.6	39.7	52.9	81.6	26.5
6	150	39.7	44.1	70.5	17.6	55.1	66.1	116.8	26.5	88.2	105.8	209.4	55.1
8	200	70.5	77.2	114.6	26.5	92.6	110.2	191.8	37.5	134.5	180.8	319.7	79.4
10	250	97.0	119.0	169.8	37.5	130.1	169.8	282.2	55.1	202.8	313.1	507.1	88.2
12	300	143.3	169.8	244.7	55.1	207.2	231.5	377.0	88.2	291.0	515.9	716.5	165.3
14	350	205.0	229.3	246.9	55.1	291.0	388.0	5115.0	88.2	370.4	604.1	842.2	242.5
16	400	224.9	319.7	436.5	79.4	423.3	537.9	652.6	165.3	727.5	996.5	1190.5	264.6
18	450	370.4	427.7	542.3	88.2	606.3	789.3	992.1	242.5	672.4	976.6	1327.2	463.0
20	500	476.2	564.4	674.6	88.2	705.5	974.4	1168.4	264.6	1256.6	1521.2	1896.0	408.5
24	600	793.7	961.2	1212.5	176.4	1115.5	1455.1	1741.7	463.0	2336.9	2666.0	3439.2	705.5

Notes:

Weight - Unit (KGS)

Size (Inch)	DN (mm)	CLASS 150 - Unit (Kgs)				CLASS 300 - Unit (Kgs)				CLASS 600 - Unit (Kgs)			
		WAFER	LUG	FLANGED	Weight of Gear Box (Lbs)	WAFER	LUG	FLANGED	Weight of Gear Box (Lbs)	WAFER	LUG	FLANGED	Weight of Gear
		BARE STEM				BARE STEM				BARE STEM			
3	80	8.0	9.0	14.0	8.0	8.0	10.0	17.0	8.0				
4	100	12.0	14.0	19.0	8.0	12.0	16.0	28.0	8.0	18.0	24.0	37.0	12.0
6	150	18.0	20.0	32.0	8.0	25.0	30.0	53.0	12.0	40.0	48.0	95.0	25.0
8	200	32.0	35.0	52.0	12.0	42.0	50.0	87.0	17.0	61.0	82.0	145.0	36.0
10	250	44.0	54.0	77.0	17.0	59.0	77.0	128.0	25.0	92.0	142.0	230.0	40.0
12	300	65.0	77.0	111.0	25.0	94.0	105.0	171.0	40.0	132.0	234.0	325.0	75.0
14	350	93.0	104.0	112.0	25.0	132.0	176.0	232.0	40.0	168.0	274.0	382.0	110.0
16	400	102.0	145.0	198.0	36.0	192.0	244.0	296.0	75.0	330.0	452.0	540.0	120.0
18	450	168.0	194.0	246.0	40.0	275.0	358.0	450.0	110.0	305.0	443.0	602.0	210.0
20	500	216.0	256.0	306.0	40.0	320.0	442.0	530.0	120.0	570.0	690.0	860.0	320.0
24	600	360.0	436.0	550.0	80.0	506.0	660.0	790.0	210.0	1060.0	1300.0	1560.0	320.0

Notes:

TRIPLE OFFSET CV VALUE

Class 150

SIZE		DEGREE OF OPENING								
Inch	mm	10°	20°	30°	40°	50°	60°	70°	80°	90°
3	80	16	29	45	62	79	95	102	99	92
4	100	30	55	86	118	151	180	194	189	175
6	150	51	108	182	276	394	536	654	719	695
8	200	79	170	303	488	715	980	1236	1422	1444
10	250	128	275	489	787	1152	1580	1992	2292	2327
12	300	210	451	803	1293	1893	2597	3274	3768	3825
14	350	271	581	1034	1665	2438	3344	4216	4851	4925
16	400	367	787	1401	2255	3303	4530	5711	6572	6672
18	450	494	1061	1888	3039	4450	6104	7695	8855	8990
20	500	605	1298	2310	3718	5445	7469	9416	10835	11000
22	550	822	1763	3137	5049	7394	10143	12787	14714	14938
24	600	1064	2283	4062	6539	9576	13135	16559	19055	19345
26	650	1331	2856	5082	8180	11979	16432	20715	23837	24200
28	700	1579	3388	6030	9706	14214	19498	24581	28285	28716
30	750	1861	3993	7107	11439	16752	22979	28970	33335	33843
32	800	2081	4465	7945	12788	18728	25690	32387	37267	37835
34	850	2309	4954	8816	14189	20780	28504	35935	41350	419870
36	900	3003	6443	11466	18455	27027	37073	46738	53781	54600
40	1000	3201	6868	12222	19672	28809	39518	49819	57327	58200
42	1050	4100	8796	15653	25195	36897	50613	63806	73422	74540
48	1200	4279	9180	16338	26296	38511	52826	66597	76633	77800

Class 300

SIZE		DEGREE OF OPENING								
Inch	mm	10°	20°	30°	40°	50°	60°	70°	80°	90°
3	80	16	29	45	62	79	95	102	99	92
4	100	30	55	86	118	151	180	194	189	175
6	150	44	93	157	238	340	463	565	620	600
8	200	67	143	255	410	600	823	1037	1194	1212
10	250	120	257	458	737	1079	1480	1866	2147	2180
12	300	188	402	716	1153	1688	2316	2920	3360	3411
14	350	248	532	947	1524	2232	3062	3861	4442	4510
16	400	327	702	1249	2010	2943	4037	5090	5857	5946
18	450	446	956	1702	2739	4012	5503	6938	7983	8105
20	500	548	1176	2094	3370	4935	6770	8534	9820	9970
24	600	759	1628	2898	4664	6831	9370	11813	13593	13800
26	650	976	2094	3726	5998	8784	12049	15190	17479	17745
28	700	1130	2425	4315	6945	10171	13951	17588	20239	20547
30	750	1332	2857	5084	8183	11984	16439	20725	23848	24211
32	800	1656	3552	6321	10174	14900	20438	25766	29649	30100
34	850	1887	4047	7203	11593	16979	23290	29361	33786	34300
36	900	2140	4590	8169	13148	19256	26413	33298	38317	38900

Class 600

SIZE		DEGREE OF OPENING								
Inch	mm	10°	20°	30°	40°	50°	60°	70°	80°	90°
6	150	41	87	147	223	318	433	528	580	561
8	200	52	111	197	318	465	638	805	926	940
10	250	88	189	336	540	791	1085	1368	1574	1598
12	300	146	313	557	896	1313	1801	2270	2612	2652
14	350	215	461	820	1320	1933	2651	3343	3846	3905
16	400	285	612	1089	1753	2567	3521	4438	5107	5185
18	450	392	840	1495	2407	3524	4834	6095	7013	7120
20	500	501	1074	1911	3076	4505	6179	7790	8964	9100
24	600	693	1487	2646	4259	6237	8555	10786	12411	12600

TE SERIES PART NUMBER ORDERING INFORMATION

Valve Model		ANSI Class		Size	Body	Body Seat	Disc	Disc Seat	Stem	OPTIONS							
XXX		XXX		XXX	X	X	X	X	X	XX							
TE1	TA WAFER	150	150#	030	3"	7	316SS / CF8M	9	316SS	6	CF8M	A	DUPLEX/GRAPHITE	7	DUPLEX	00	NO REQUIREMENTS
TE2	TA LUG	300	300#	040	4"	6	WCB	8	INCOLLOY	4	MONEL	E	316 S.S.	5	MONEL	02	SILICONE FREE
TE3	TA SHORT FLANGED	600	600#	050	5"	5	Incolloy	7	MONEL	3	HAST C 276	F	INCONEL	4	HAST. C 276	03	O2 CLEANED
TE4	TA LONG FLANGED			060	6"	4	MONEL	6	HAST. C	1	ALLOY 20	J	316/GRAPHITE	3	17-4	04	SPECIAL PAINTING
TE5	TA BUTTWELD			080	8"	3	Hastelloy C	5	SMO254	0	DUPLEX 2205	K	INCONEL/GRAPHITE	2	ALLOY 20	05	SPECIAL BOLTING
				100	10"	2	SMO254	4	SMO255	B	SUPER DUPLEX	L	DUPLEX	1	NITRONIC 50	06	ANTISTATIC
				120	12"	1	A20	3	ALLOY 20	C	304SS / CF8	M	SUPER DUPLEX	0		07	SPECIAL PACKING
				140	14"	0	Duplex 2205	2	DUPLEX 2205	D	304L SS / CF3	N	ALLOY 20	A		08	CRYOGENIC
				160	16"	A	Super Duplex 2507	1	SUPER DUPLEX	E	316L SS / CF3M	P	MONEL	B		09	STELLITE-6 ON DISC
				180	18"	F	SMO255	0	INCONEL	F	317SS / CF8G	S	AL6XN	C		10	STELLITE-21 ON DISC
				200	20"	G	WC6	A	316/STELLITE	H	SMO255	W	HASTALLOY	D	K500 MONEL	11	LONG PATTERN F/F
				240	24"	L	Inconel	Z	NI-AB/GRAPHITE	I	WCB	Y	INCOLOY	E		12	NACE
				260	26"	P	B148 C95800			L	B148 C95800	Z	NI-AB/GRAPHITE			13	GREASE INJECTOR
				280	28"												
				300	30"												
				320	32"												
				340	34"												
				360	36"												
				400	40"												
				420	42"												
				480	48"												
				540	54"												
				600	60"												
				720	72"												

TE Series Triple Offset Butterfly Valve Ordering Example

Example Part #: TE2-150-060-796A3

CF8M Body, 316SS Body Seat, CF8M Disc, 316/Graphite Disc Seat, 17-4 Stem

Options only show in the figure number if there is an option

PRATT[®]

INDUSTRIAL

Pratt Industrial

Emporia, Kansas

Tel. 620.208.8100

FAX 620.208.8111

prattindl.com