

PRATT INDUSTRIAL®

a MUELLER brand

PV SERIES PNEUMATIC ACTUATOR

Engineering Creative Solutions for Fluid Systems Since 1901



MUELLER

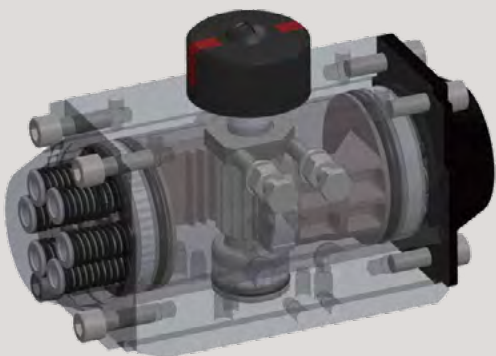
PRATT INDUSTRIAL®

a MUELLER brand

DESIGN AND CONSTRUCTION

PV Series pneumatic actuators represent an improved rack and pinion design that offers enhanced quality and reliability. It is always our mission to offer innovative products by combining many years of experience in product application and the latest production and material technology available in the market today. Our new design features the PV Series pneumatic actuators provide the following advantageous characteristics:

- Reliability
- High performance
- Innovations and patented solutions for a universal drive shaft
- Fully compliance with all the latest international standards
- Multifunction position indicator
- Compact and light



1. A single compact design utilizing identical body and end caps for both double acting and spring return models. This feature reduces inventory and allows field conversion, by adding or removing modular spring cartridges.
2. Full conformance to following latest specifications: ISO 5211, DIN 3337 and VDI/VDE 3845 for product interchangeability and easy mounting of solenoids, limit switches and other accessories.
3. Pratt piston rack and pinion design for compact construction, symmetric mounting position, high-cycle life and fast operation. Reverse rotation can be accomplished in the field by simply inverting the pistons.
4. Two independent external travel stop adjustments permit easy and precise adjustment of +/- 5° in both directions. This adjustment may be made in either the open or closed position and provides for accurate valve alignment.
5. Multiple bearings and guides on pistons and racks for precise operation, low friction, high cycle life and a blowout proof pinion shaft.
6. Electroless nickel-plated blowout resistant, bearing guided, one-piece pinion shaft for improved safety and maximum cycle life.
7. High precision teeth on piston racks and pinion shaft for accurate positioning, low backlash, and maximum engagement resulting in overall efficient operation.
8. Extruded aluminum body with both internal and external corrosion protections having a honed cylinder surface for longer life and a lower coefficient of friction.
9. Modular preloaded spring cartridges designed with coated springs for simple range versatility, greater safety and corrosion resistance.
10. Selected high quality bearings and seals that provide a wide operating temperature range, low friction, and high cycle life.
11. Internal and external Stainless Steel fasteners for long term corrosion resistance.
12. Multifunctional position indicator for visual position indication, and a direct, easy, economical way to mount popular sensors.

RANGE OF OPTIONS, QUALITY MANUFACTURING, AND ACCESSORIES

RANGE OF OPTIONS

A. Stainless Steel 304 or 316 drive shafts are available on request for all sizes no matter the type of corrosion protection selected.

B. For extremely high or low temperature applications, all models may be equipped with FPM or Silicon O-rings along with an Pratt tested and certified suitable lubricant.

QUALITY MANAGEMENT

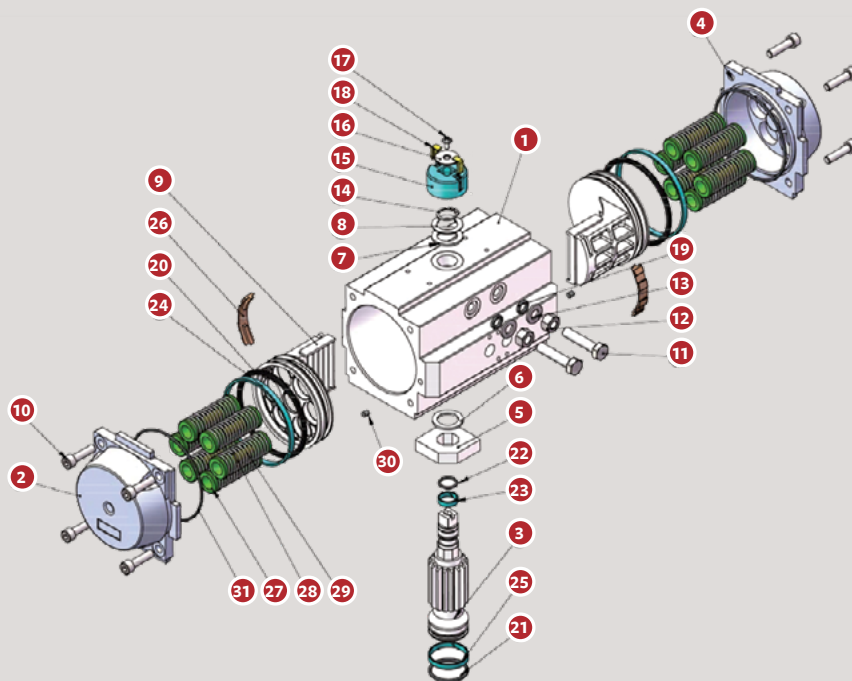
- Production conforms to ISO 9001-2015
- Each individual actuator are factory tested
- Each actuator is individually packed in a special cardboard carton for protection, with a product description label for easy identification and includes installation, operation and maintenance instructions

ACCESSORIES AVAILABLE

- Solenoid Valves
- Limit Switches
- Manual Overrides
- Bracket & Couplers

PARTS AND MATERIALS

Pratt Industrial® PV Series Pneumatic Actuator



ITEM #	PART DESCRIPTION	MATERIAL QUALITY	QTY	ITEM #	PART DESCRIPTION	MATERIAL QUALITY	QTY	ITEM #	PART DESCRIPTION	MATERIAL QUALITY	QTY
1	Body	Aluminium Alloy	1	12	Nut (Stop Screw)	Stainless Steel	2	23	Bearing (Pinion Top)	POM+PTFE	1
2	Left End Cap	Aluminium Alloy	1	13	Washer (Top Screw)	Stainless Steel	2	24	Bearing (Pinion Head)	POM+PTFE	2
3	Drive Shaft	Alloy Steel	1	14	Spring Clip	Spring Steel	1	25	Bearing (Pinion Bottom)	POM+PTFE	1
4	Right End Cap	Aluminium Alloy	1	15	Position Indicator	Nylon	1	26	Wear Band	Nylon	2
5	OCTI-CAM	Alloy Steel	1	16	Indicator Thrust Bearing	Stainless Steel	1	27	Spring Seat	Nylon	24
6	Thrust Bearing (Pinion Top)	POM+PTFE	1	17	Cap Screw	Stainless Steel	1	28	Spring	High-Carbon Steel	12
7	Thrust Bearing	POM+PTFE	1	18	Color Code	Nylon	2	29	Straining Beam	Copper Pipe	12
8	Thrust Washer	Stainless Steel	1	19	"O" Ring (Stop Screw)	NBR	2	30	Plug	NBR	2
9	Piston	Aluminium Alloy	2	20	"O" Ring (Piston)	NBR	2	31	"O" Ring (End Cap)	NBR	3
10	Cap Screw (End Cap)	Stainless Steel	8	21	"O" Ring (Pinion Bottom)	NBR	1				
11	Stop Top Screw	Stainless Steel	2	22	"O" Ring (Pinion Top)	NBR	1				

TECHNICAL DATA (METRIC UNIT)

MODEL TYPE A	PV 032		PV 050		PV 065		PV 075		PV 085		PV 095		PV 110		PV 125		PV 140		PV 160		PV 190		PV 210		PV 240		PV 270		PV 300		PV 350		PV 400	
	D	S	D	S	D	S	D	S	D	S	D	S	D	S	D	S	D	S	D	S	D	S	D	S	D	S	D	S	D	S	D	S	D	S
Diameter (mm)	32	50	65	75	85	95	110	125	140	160	190	210	240	270	300	350	400																	
Air Volume Opening (L)	0.03	0.09	0.19	0.30	0.44	0.88	0.83	1.41	1.76	2.85	4.75	6.60	11.40	15.80	19.09	27.65	42.81																	
Air Volume Closing (L)	0.04	0.15	0.32	0.50	0.66	1.17	1.27	2.13	2.72	4.08	7.20	10.29	15.10	18.80	28.23	44.10	62.05																	
Opening Time (sec)	0.3	0.3	0.9	0.4	0.9	0.4	0.9	0.9	1.0	0.9	1.4	0.9	1.4	1.3	2.4	1.3	2.8	2.0	4.8	2.2	2.4	2.9	3.4	3.2	3.8	4.4	5.0	5.0	6.0	6.2	7.4	7.5	9.6	
Closing Time (sec)	0.4	0.4	0.7	0.4	0.8	0.4	0.9	0.9	1.2	1.0	1.4	1.0	1.6	1.4	2.4	1.4	3.0	2.4	4.9	2.6	3.0	3.8	4.1	3.7	4.0	4.9	5.5	6.0	6.8	7.2	8.4	8.5	10.6	
Weight (Kg)hai	0.47	0.59	1.13	1.25	1.97	2.21	2.93	3.29	3.78	4.26	5.14	5.86	6.09	7.17	10.86	12.54	13.77	15.93	20.15	23.75	28.41	33.81	40.03	48.43	52.60	77.76	73.64	90.6	108.0	135.6	146.7	188.1	220.5	283.5

1. FOR MODEL 32-160

(1) Room temperature (2) Actuator stroke 90° (3) Solenoid valve with orifice of 4mm and a flow capacity Qn400L/min (4) Inside pipe diameter 6 mm (5) Medium clean air (6) Air supply pressure 5.5 bar (7) Actuator without external resistance load

2. FOR MODEL 190-400

(1) Room temperature (2) Actuator stroke 90° (3) Solenoid valve with orifice of 12mm and a flow capacity Qn5100L/min (6) Air supply pressure 5.5 bar (7) Actuator without external resistance load (4) Inside pipe diameter 8mm

Field applications when one or more of the above parameter are different, the moving time will also be different.

Air consumption rest with the air supply, air volume and action cycle times. Formula: L/min=Air volume(opening air volume+closing air volume) X {Air Supply (Kpa) +101.3} X Action times (/min) 101.3

IMPERIAL TORQUE RATINGS

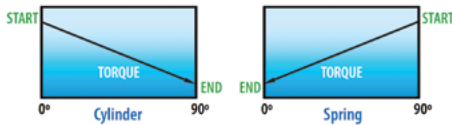
Pratt Industrial® PV Series Pneumatic Actuator

DOUBLE ACTING TORQUE RATINGS (IN-LBS)

Torque Diagram Double Acting Actuators



Torque Diagram Spring Return Actuators



SUPPLY PRESSURE (UNIT-PSIG)

MODEL	35	40	50	55	60	70	80	90	100	110
PV 032	26	30	35	41	47	52	58	63	73	84
PV 040	50	61	72	83	94	104	115	127	148	170
PV 050	76	92	109	126	142	158	175	191	225	258
PV 065	154	188	221	254	288	321	355	389	455	522
PV 075	239	291	343	396	447	499	551	604	707	812
PV 085	351	428	504	581	657	733	809	886	1038	1191
PV 095	493	601	708	815	922	1030	1137	1244	1459	1674
PV 110	637	790	939	1067	1206	1345	1483	1622	1899	2176
PV 125	1139	1412	1660	1907	2154	2402	2650	2898	3393	3888
PV 140	1735	2098	2461	2823	3186	3549	3912	4275	5001	5727
PV 160	2332	2891	3398	3905	4412	4919	5427	5934	6948	7963
PV 190	3793	4585	5375	6166	6956	7747	8538	9328	10909	12490
PV 210	5295	6401	7505	8608	9712	10816	11919	13022	15230	17437
PV 240	8216	9931	11639	13347	15064	16773	18490	20198	23623	27049
PV 270	11551	13958	16365	18773	21180	23588	25995	28403	33218	38033
PV 300	14857	17962	21059	24156	27253	30350	33447	36544	42737	48931
PV 350	22061	26657	31254	35850	40446	45042	49638	54235	63426	72619
PV 400	33617	40621	47625	54628	61632	68635	75639	82643	96650	110657

SINGLE ACTING TORQUE RATINGS (IN-LBS)

SUPPLY PRESSURE (UNIT PSIG)

MODEL	SPRING STROKE		35		40		50		55		60		70		80		90		100		110				
	START	END	START	END	START	END	START	END	START	END	START	END	START	END	START	END	START	END	START	END	START	END			
PV 040 SR 04	50	34																							
PV 040 SR 05	63	42						38	22	49	33		41	20		63	42	73	53	85	64	106	86	128	107
PV 040 SR 06	76	50														54	28	65	40	76	50	97	73	119	94
PV 050 SR 05	46	31	45	30	61	47	78	64	95	80	111	96	127	113	144	129	160	146	194	179	227	212			
PV 050 SR 06	55	37	39	21	55	38	72	54	89	71	104	88	121	104	138	120	154	137	188	170	220	203			
PV 050 SR 07	63	43			49	28		65	45	82	62	98	78	115	95	132	112	148	127	181	161	214	194		
PV 050 SR 08	73	50						59	36	76	52	92	69	109	86	126	102	142	119	175	151	208	185		
PV 050 SR 09	82	56								70	43	86	60	103	76	119	93	135	110	169	143	202	175		
PV 050 SR 10	91	62										80	50	96	67	113	84	129	100	163	134	196	166		
PV 050 SR 11	100	68												90	58	107	74	123	91	157	124	189	158		
PV 050 SR 12	110	74														101	65	117	82	150	115	183	148		
PV 065 SR 05	116	77	77	38	111	72	144	105	177	138	211	172	244	205	278	239	312	273	378	339	445	406			
PV 065 SR 06	139	92	62	15	95	49	128	81	162	115	196	149	229	182	263	216	296	250	363	316	430	383			
PV 065 SR 07	162	108			80	25	113	58	147	92	181	126	213	159	247	193	281	226	348	293	414	360			
PV 065 SR 08	186	123						97	35	131	69	165	103	198	136	232	169	266	203	332	270	399	337		
PV 065 SR 09	209	139								116	46	150	80	183	112	216	146	250	180	317	247	384	313		
PV 065 SR 10	232	154										134	56	167	89	201	123	235	157	301	223	368	290		
PV 065 SR 11	255	169												152	66	186	100	219	134	286	200	353	267		
PV 065 SR 12	278	185													170	77	204	110	271	177	337	244			
PV 075 SR 05	150	95	144	90	196	142	249	194	301	246	352	298	404	350	457	402	509	454	612	558	717	662			
PV 075 SR 06	179	113	126	60	178	112	229	165	281	216	334	268	386	320	437	373	489	424	594	528	697	632			
PV 075 SR 07	289	133			158	82	211	135	263	187	315	238	366	290	419	343	471	395	574	498	679	603			
PV 075 SR 08	239	151					192	104	243	157	296	209	348	260	400	312	451	365	556	469	659	573			
PV 075 SR 09	268	171							225	127	277	179	328	231	381	283	433	335	537	439	641	543			
PV 075 SR 10	298	189										258	149	310	201	362	253	414	305	518	409	622	513		
PV 075 SR 11	328	208												291	171	343	223	395	275	499	379	603	483		
PV 075 SR 12	358	227														324	193	376	245	480	350	584	453		
PV 085 SR 05	231	147	205	121	281	197	358	273	434	350	510	426	587	503	663	571	739	655	892	808	1044	960			
PV 085 SR 06	277	176	175	74	251	150	328	227	404	304	481	380	557	456	634	533	710	609	862	761	1015	914			
PV 085 SR 07	323	205			222	104	299	181	375	258	481	334	528	410	605	487	681	563	833	715	986	868			
PV 085 SR 08	369	235					269	135	346	212	422	288	498	364	574	440	651	517	804	669	957	822			
PV 085 SR 09	415	264							317	166	393	242	469	318	545	394	622	471	774	623	928	776			
PV 085 SR 10	461	293										364	196	440	272	516	348	593	425	745	577	898	730		
PV 085 SR 11	507	322												411	226	487	302	563	478	716	531	868	683		
PV 085 SR 12	553	351														458	256	534	332	687	485	839	63		
PV 095 SR 05	309	196	297	185	405	292	512	399	620	507	727	614	835	721	942	828	1049	936	1236	1151	1478	1365			
PV 095 SR 06	370	235	258	123	366	231	474	338	581	445	688	552	796	629	903	767	1010	874	1224	1089	1439	1304			
PV 095 SR 07	432	273			327	169	435	276	542	383	649	490	756	598	863	705	971	813	1185	1028	1399	1242			
PV 095 SR 08	494	313					395	214	503	322	610	429	717	536	824	643	931	751	1146	966	1360	1180			
PV 095 SR 09	555	352							463	260	571	367	678	474	785	582	892	689	1107	904	1321	1119			
PV 095 SR 10	617	391									531	305	639	413	746	520	853	628	1067	842	1283	1057			
PV 095 SR 11	679	430											599	351	707	458	814	566	1028	781	1244	995			
PV 095 SR 12	740	469													667	397	775	505	990	790	1204	933			
PV 110 SR 05	406	253	384	232	537	384	676	523	814	662	953	800	1092	939	1230	1078	1369	1216	1646	1494	1923	1771			
PV 110 SR 06	487	304	334	150	487	304	625	442	764	580	903	720	1041	858	1180	997	1319	1136	1596	1413	1873	1690			
PV 110 SR 07	568	354			436	222	574	361	713	499	851	638	990	777	1129	915	1267	1054	1545	1331	1822	1609			
PV 110 SR 08	650	405					524	280	663	419	801	557	940	696	1079	835	1217	973	1495	1251	1772	1528			
PV 110 SR 09	730	426							612	337	751	476	890	614	1028	753	1167	892	1444	1169	1722	1446			
PV 110 SR 10	812	506									700	395	839	534	977	672	1116	811	1393	1088	1670	1365			
PV 110 SR 11	893	557												788	452	927	590	1066	729	1343	1006	1620	1284		
PV 110 SR 12	974	607														876	510	1014	648	1292	926	1569	1203		

IMPERIAL TORQUE RATINGS

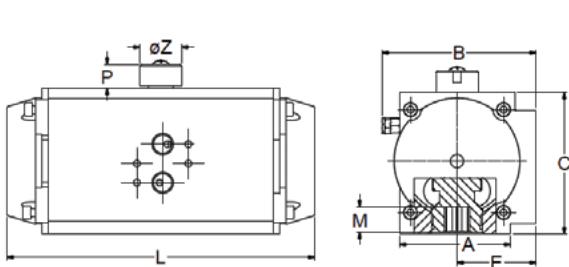
Pratt Industrial® PV Series Pneumatic Actuator

SINGLE ACTING TORQUE RATINGS (IN-LBS)

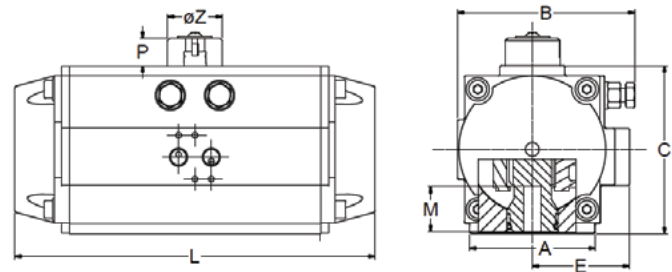
MODEL	SUPPLY PRESSURE (UNIT PSIG)																					
	SPRING STROKE		35		40		50		55		60		70		80		90		100		110	
	START	END	START	END	START	END	START	END	START	END	START	END	START	END	START	END	START	END	START	END	START	END
PV 125 SR 05	713	451	688	427	960	698	1208	946	1455	1194	1703	1442	1951	1690	2199	1937	2446	2184	2941	2680	3437	3175
PV 125 SR 06	856	542	597	283	870	556	1118	804	1365	1051	1613	1299	1860	1546	2108	1794	2356	2042	2851	2538	3347	3032
PV 125 SR 07	998	632			780	413	1028	661	1275	909	1522	1157	1770	1404	2048	1652	2266	1899	2761	2538	3256	2890
PV 125 SR 08	1141	722					937	519	1184	766	1432	1013	1680	1261	1928	1509	2176	1757	2670	2252	3166	2747
PV 125 SR 09	1283	813							1094	642	1342	871	1590	1119	1837	1367	2085	1614	2580	2109	3076	2645
PV 125 SR 10	1426	903									1252	728	1499	976	1747	1224	1995	1472	2490	1967	2985	2462
PV 125 SR 11	1568	996											1409	834	1657	1082	1905	1329	2400	1824	2895	2320
PV 125 SR 12	1711	1083													1567	939	1814	1186	2309	1682	2805	3062
PV 140 SR 05	1083	728	1011	656	1373	1018	1736	1381	2098	1743	2460	2105	2822	2467								
PV 140 SR 06	1299	874	865	439	1228	802	1590	1164	1952	1526	2315	1888	2677	2251	3090	2613						
PV 140 SR 07	1516	1020			1082	585	1444	947	1806	1309	2168	1672	2531	2034	2893	2396	3255	2758				
PV 140 SR 08	1733	1165					1298	730	1660	1093	2023	1455	2385	1817	2747	2179	3109	2542	3834	3266		
PV 140 SR 09	1949	1311							1515	876	1877	1238	2239	1601	2602	1963	2964	2325	3688	3050	4413	3774
PV 140 SR 10	2166	1456									1732	1022	2094	1384	2456	1746	2818	2108	3543	2833	4267	3557
PV 140 SR 11	2383	1602											1948	1167	2311	1529	2673	1892	3397	2616	4122	3341
PV 140 SR 12	2599	1747													2165	1313	2527	1675	3252	2400	3976	3124
PV 160 SR 05	1437	974	1359	897	1917	1455	2424	1962	2931	2469	3429	2977	3946	3484	4453	3991	4960	4498	5974	5512	6990	6527
PV 160 SR 06	1723	1168	1164	609	1722	1167	2230	1675	2737	2182	3244	2689	3751	3196	4258	3703	4765	4210	5780	5225	6795	6240
PV 160 SR 07	2011	1363			1528	881			2347	1895	3049	2402	3556	2909	4063	3416	4571	3924	5426	4938	6600	5952
PV 160 SR 08	2298	1558					1840	1100		2347	1607	2854	2115	3362	2622	3869	3129	4376	3636	5390	4650	6405
PV 160 SR 09	2585	1732							2153	1321	2660	1828	3167	2335	3674	2842	4181	3349	5196	4640	6211	5378
PV 160 SR 10	2872	1947									2465	1540	2972	2047	3479	2554	3986	3062	5001	4076	6016	5091
PV 160 SR 11	3160	2142											2777	1760	3285	2268	3792	2775	4806	3789	5821	4803
PV 160 SR 12	3447	2337													3090	1980	3597	2487	4611	3501	5627	4517
PV 190 SR 05	2312	1609	2184	1482	2977	2274	3767	3064	4557	3855	5348	4645	6138	5435								
PV 190 SR 06	2274	1930	1862	1019	2654	1811	3445	2601	4235	3393	5026	4183	5817	4973	6607	5764						
PV 190 SR 07	3236	2253			2094	1349			3124	2139	3914	2930	4704	3720	5495	4510	6285	5302	7075	6092		
PV 190 SR 08	3698	2574					2801	1757		3592	2467	4382	3258	5173	4048	5964	4839	6899	5629	8335	7221	
PV 190 SR 09	4161	2896							3270	2002	4061	2796	4851	3586	5642	4377	6595	5167	8013	6748	9594	8330
PV 190 SR 10	4623	3217											3739	2333	5320	3915	6292	4705	7692	6286	9272	7867
PV 190 SR 11	5085	3540													4208	2661	4998	3452	5989	4242	7369	5824
PV 190 SR 12	5566	3866													4677	2990	5685	3780	7048	5361	8629	6943
PV 210 SR 05	3178	2172	3123	2116	4229	3233	5333	4326	6436	5430	7540	6543	8644	7638	9747	8740	10850	9844	13058	12050	15265	14259
PV 210 SR 06	3814	2607	2688	1481	3794	2587	4898	3691	6002	4795	7106	5898	8209	7001	9313	8105	10417	9209	12623	11050	14831	13623
PV 210 SR 07	4449	3041			3360	1952	4464	3055	5567	4158	6671	5263	7775	6366	8878	7469	9982	8573	12190	10781	14396	12988
PV 210 SR 08	5086	3475					4030	2419		5133	3523	6236	4626	7340	5730	8444	6834	9548	7938	11755	10145	13962
PV 210 SR 09	5721	3909							4699	2887	5803	3991	6906	5095	8328	6198	9113	7302	11320	9509	13528	11716
PV 210 SR 10	6357	4344									5368	3355	6472	4459	7575	5562	8678	6666	10886	8873	13093	11081
PV 210 SR 11	6992	4779											6037	3823	7141	4926	8245	6030	10451	8238	12659	10445
PV 210 SR 12	7628	5213													6706	4291	7810	5395	10018	7602	12224	9810
PV 240 SR 05	4903	3633	4583	3313	6295	5025	8007	6736	9718	8447	11430	10160	13142	11872								
PV 240 SR 06	5884	4360	3856	2332	5568	4044	7280	5756	8992	7468	10704	9179	12415	10891	14127	12603						
PV 240 SR 07	6865	5087			4841	3063	6553	4775	8265	6487	9977	8199	11689	9910	13400	11622	15112	13334				
PV 240 SR 08	7846	5813					5827	3794	7538	5506	9250	7218	10962	8930	12674	10642	14386	12353	17809	15777		
PV 240 SR 09	8826	6540							6812	4526	8524	6237	10235	7949	11947	9661	13659	11373	17082	14796	20506	18220
PV 240 SR 10	9807	7267									7797	5257	9509	6968	11220	8480	12932	10392	16356	13816	19779	17239
PV 240 SR 11	10779	7993											8782	5988	10494	7699	12206	9411	15629	12835	19053	16258
PV 240 SR 12	11768	8720													9767	6719	11479	8431	14902	11854	18326	15278
PV 270 SR 05	6957	4952	6602	4597	9009	7005	11417	9412	13823	11819	16231	14226	18638	16633								
PV 270 SR 06	8348	5943	5612	3206	8019	5613	10426	8021	12833	10427	15241	12437	17647	15241	19975	17649						
PV 270 SR 07	9740	6933			7029	4222	10321	6629	11743	9036	14250	11443	16657	13850	19064	16258	21472	18665				
PV 270 SR 08	11131	7923					8446	5238	10852	7645	13260	10052	15666	12459	18074	14866	20481	17274	25295	22088		
PV 270 SR 09	12522	8914							9862	6253	12269	8661	14676	11067	17083	13475	19491	15882	24305	20696	29119	25510
PV 270 SR 10	13914	9904									11279	7269	13685	9676	16093	12083	18500	14491	23314	19305	28128	24119
PV 270 SR 11	15305	10895											12695	8285	15102	10692	17510	13099	22324	17914	27138	22728
PV 270 SR 12	16697	11885													14112	9301	16520	11708	26148	16522	26418	21336
PV 300 SR 05	9133	6117	8740	5724	11845	8829	14942	11926	18039	15023	21136	18120	24233	21217	27330	24314	30427	27411	36620	33604	42814	39798
PV 300 SR 06	10960	7340	7517	3897	10622	7002	13719	10099	16816	13196	19913	16293	23009	19390	26106	22487	29203	25584	35397	31778	41591	37972
PV 300 SR 07	12883	8563			9399	5175	12495	8272		15592	11369	18689	14466	23379	17563	24885	20660	27980	23757	34174	29951	40368
PV 300 SR 08	14613	9787							14369	9542	17466	12639	20563	15736	23660	18833	26757	21930	32951	28124	39144	34318
PV 300 SR 09	16440	11011							13146	7716	16242	10819	19339	13909	22410	17006	25533	20103	31727	26297	37921	32491
PV 300 SR 10	18267	12234									15019	8986	18116	12083	21213	15180	24310	18277	30503	24470	36697	30664
PV 300 SR 11	20094	13457											16892	10257	19989	13354	23086	16450	29260	22644	35474	28838
PV 300 SR 12	21920	14680																				

DIMENSIONS

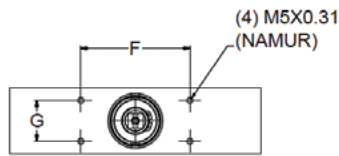
Pratt Industrial® PV Series Pneumatic Actuator



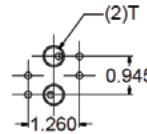
PV32



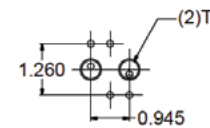
PV40 ~ PV160



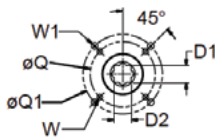
PV32 ~ PV160
TOP MOUNT



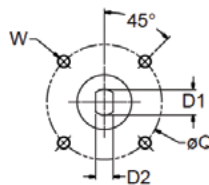
PV32
SIDE MOUNT



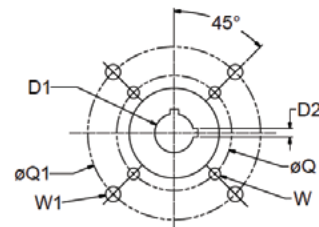
PV40 ~ PV160
SIDE MOUNT



PV32 ~ PV50
BOTTOM MOUNT



PV65 ~ PV95
BOTTOM MOUNT

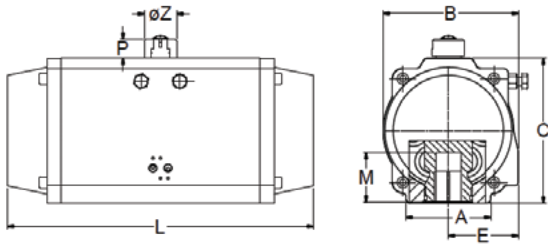


PV110 ~ PV160
BOTTOM MOUNT

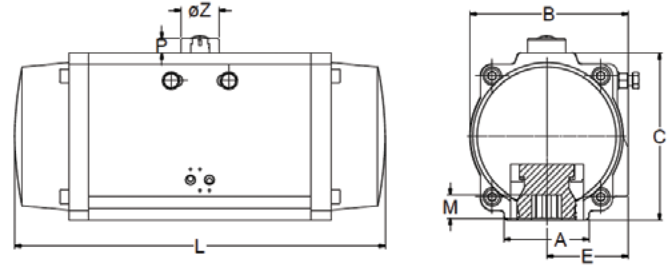
MODEL	A	B	C	E	F	G	P	ØZ	L	M	FLANGE	Q	Q1	W	W1	D1	D2	T 1/8"
PV 032	1.46	1.85	1.97	1.06	1.97	.18	0.79	1.57	4.33	0.39	F03	1.42		4-M5 X 9		0.354	0.354	NPT
PV 040	1.89	2.56	2.36	1.44	1.97	1.18	0.79	1.57	4.80	0.47	F03/05	1.42	1.97	4-M6 X 9	4-M5 X 8	0.433	0.433	1/4" NPT
PV 050	1.77	2.78	2.75	1.63	3.15	1.18	0.79	1.57	6.26	0.47	F03/05	1.42	1.97	4-M5 X 7.5	4-M6 X 9	0.433	0.433	1/4" NPT
PV 065	3.07	3.60	3.50	2.03	3.15	1.18	0.79	1.57	7.44	1.30		3.25		3/8"-16UNC x 0.59		0.562	0.375	1/4" NPT
PV 075	3.11	4.04	3.94	2.32	3.15	1.18	0.79	1.57	8.27	1.30		3.25		3/8"-16UNC x 0.59		0.75	0.50	1/4" NPT
PV 085	3.07	4.50	4.45	2.50	3.15	1.18	0.79	1.57	9.02	1.30		3.25		3/8"-16UNC x 0.59		0.75	0.50	1/4" NPT
PV 095	3.62	5.12	4.84	3.03	3.15	1.18	0.79	1.57	10.39	1.30		3.25		3/8"-16UNC x 0.59		0.75	0.50	1/4" NPT
PV 110	3.66	5.45	5.35	3.01	3.15	1.18	0.79	1.57	10.47	1.30		3.25		3/8"-16UNC x 0.59		1.125	1/4" Key	1/4" NPT
PV 125	4.57	6.50	6.34	3.35	3.15	1.18	1.18	2.20	13.27	2.10		3.25	5.00	3/8"-16UNC x 0.59	1/2"-13UNC x 0.71	1.125	1/4" Key	1/4" NPT
PV 140	4.57	7.24	7.01	3.82	3.15	1.18	1.18	2.21	14.84	2.10		3.25	5.00	3/8"-16UNC x 0.59	1/2"-13UNC x 0.71	1.125	1/4" Key	1/4" NPT
PV 160	4.57	7.72	7.87	4.17	5.12	1.18	1.18	2.21	16.22	2.10		3.25	5.00	3/8"-16UNC x 0.59	1/2"-13UNC x 0.71	1.125	1/4" Key	1/4" NPT

DIMENSIONS

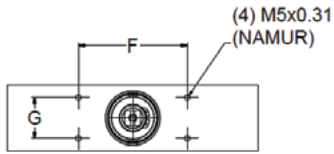
Pratt Industrial® PV Series Pneumatic Actuator



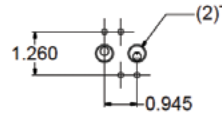
PV190 ~ PV270



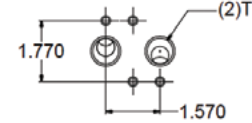
PV300 ~ PV400



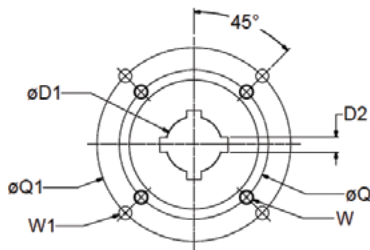
PV190 ~ PV400
TOP MOUNT



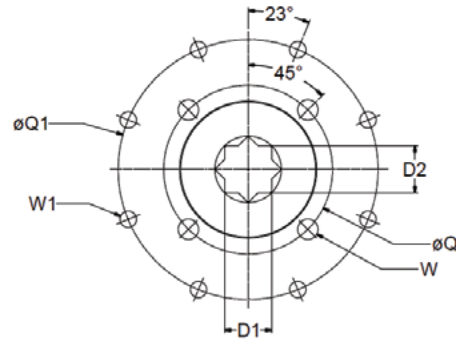
PV190 ~ PV210
SIDE MOUNT



PV240 ~ PV400
SIDE MOUNT



PV190 ~ PV270
BOTTOM MOUNT



PV300 ~ PV400
BOTTOM MOUNT

MODEL	A	B	C	E	F	G	P	ØZ	L	M	FLANGE	Q	Q1	W	W1	D1	D2	T
PV 190	5.35	8.52	9.13	4.41	5.12	1.18	1.18	2.21	19.21	3.11		5.00		½"-13UNC x 0.71		1.375	⅝" Key	¼" NPT
PV 210	5.51	9.27	10.04	4.72	5.12	1.18	1.18	3.15	21.65	4.11		5.00	6.50	½"-13UNC x 0.71	¾"-10UNC x 0.98	1.875	½" Key	¼" NPT
PV 240	6.26	10.31	11.50	5.16	5.12	1.18	1.18	3.15	23.70	4.11		5.00	6.50	½"-13UNC x 0.71	¾"-10UNC x 1.18	1.875	½" Key	½" NPT
PV 270	6.26	11.61	13.03	5.81	5.12	1.18	1.18	3.15	23.70	4.11		5.00	6.50	½"-13UNC x 0.71	¾"-10UNC x 1.18	1.875	½" Key	½" NPT
PV 300	7.07	13.19	13.94	6.81	5.12	1.18	1.18	3.15	30.87	1.97	F16	6.50		4-M20 X 1.1		1.81	1.81	½" NPT
PV 350	10.63	15.16	16.14	7.68	5.12	1.18	1.18	3.15	33.27	1.97	F16/25	6.50	10.00	4-M20 X 1.1	8-M16 X 1.26	1.81	1.81	½" NPT
PV 400	11.42	20.47	18.35	10.24	5.12	1.18	1.18	3.15	37.64	2.36	F25	-	10.00	8-M16 X 1.26		2.16	2.16	½" NPT

ORDERING INFORMATION

Pratt Industrial® PV Series Pneumatic Actuator

Series		Actuator Size		Action		Spring	
XX		XXX		XX		XX	
PV	PNEUMATIC	032	32	DA	DOUBLE ACTING	05	TOTAL NUMBER OF SPRING
		040	40	SR	SPRING RETURN	06	TOTAL NUMBER OF SPRING
		050	50			07	TOTAL NUMBER OF SPRING
		065	65			08	TOTAL NUMBER OF SPRING
		075	75			09	TOTAL NUMBER OF SPRING
		085	85			10	TOTAL NUMBER OF SPRING
		095	95			11	TOTAL NUMBER OF SPRING
		110	110			12	TOTAL NUMBER OF SPRING
		125	125				
		140	140				
		160	160				
		190	190				
		210	210				
		240	240				
		270	270				
		300	300				
		350	350				
		400	400				

Pneumatic Actuator Ordering Examples

Example P/N: PV-075-SR10

PV Series actuator, Model 75 with five springs per side

Note: Standard Spring Configuration is "SR 10"

Discover the Right Industrial-use Valves and Actuators for your Market Needs. Scan the QR Code to Get Started



For more information about us or to view our full line of water products, please visit prattindl.com or call Mueller customer service at 1.800.423.1323.

Mueller refers to one or more of Mueller Water Products, Inc. a Delaware corporation ("MWP"), and its subsidiaries. MWP and each of its subsidiaries are legally separate and independent entities when providing products and services. MWP does not provide products or services to third parties. MWP and each of its subsidiaries are liable only for their own acts and omissions and not those of each other. MWP brands include Mueller®, Echologics®, Hydro Gate®, Hydro-Guard®, HYMAX®, i2O®, Jones®, Krausz®, Mi.Net®, Milliken®, Pratt®, Pratt Industrial®, Sentryx®, Singer®, and U.S. Pipe Valve & Hydrant. Please see muellerwp.com/brands to learn more.

© 2023 CAM Valve and Automotive, LLC. All Rights Reserved. The trademarks, logos and service marks displayed in this document are the property of Mueller Water Products, Inc., its affiliates or other third parties. Products above marked with a section symbol (§) are subject to patents or patent applications. For details visit www.mwppat.com. Please contact your Mueller Sales or Customer Service Representative concerning any other application(s).

