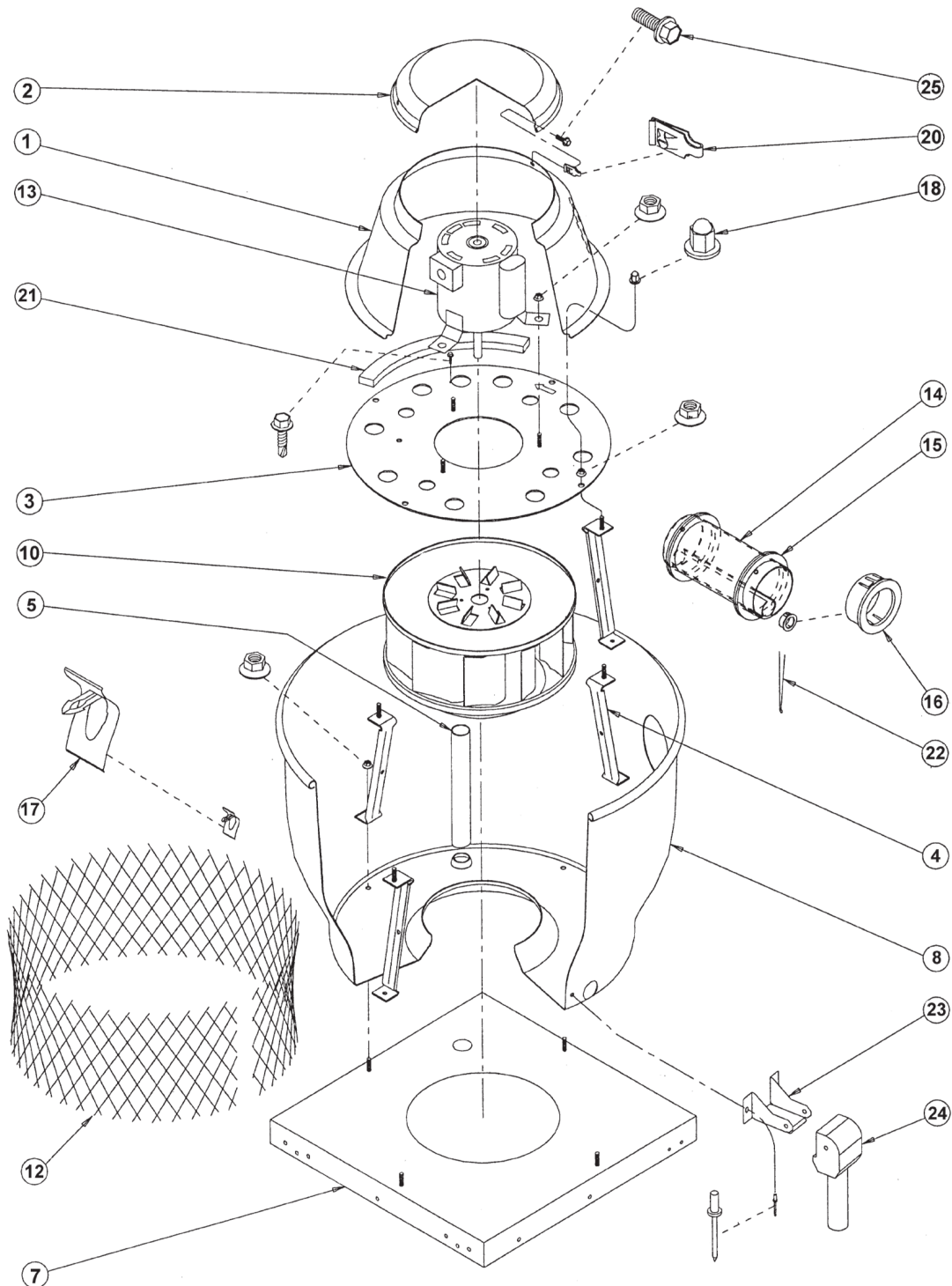


Models: FX13SVR(FT) and FX13Q(FT)



- | | | | |
|-------------------|--------------------|-------------------------|-------------------|
| 1. Hood | 8. Discharge Apron | 15. Cooling Tube Gasket | 22. Cotter Pin |
| 2. Hood Top | 9. Apron Venturi | 16. Bushing | 23. Drain Spout |
| 3. Top Plate | 10. Wheel | 17. Screen Clip | 24. Down Spout |
| 4. Vertical Brace | 11. --- | 18. Acorn Nut | 25. 1/4 - 20 Bolt |
| 5. Conduit Pipe | 12. Screen | 19. 1/4 - 20 Nut | |
| 6. Base / Venturi | 13. Motor | 20. Clip | |
| 7. Base | 14. Cooling Tube | 21. Gasket | |