



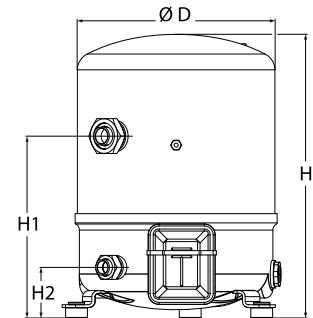
Datasheets

Maneurop[®] Reciprocating compressors MT / MTZ / MPZ / NTZ

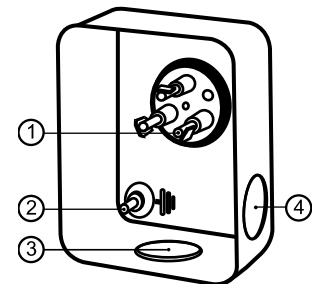


General Characteristics

Model number (on compressor nameplate)		MTZ56HL3B
Code number for Industrial pack**		MTZ56-3M
Drawing number		8502014e
Suction and discharge connections		Rotolock
Suction connection		1-3/4 " Rotolock
Discharge connection		1-1/4 " Rotolock
Suction connection with supplied sleeve		7/8 " ODF
Discharge connection with supplied sleeve		3/4 " ODF
Oil sight glass		None
Oil equalization connection		None
Oil drain connection		None
LP gauge port		Schrader
IPR valve		435 psi / 115 psi
Cylinders		2
Swept volume		5.87 in ³ /rev
Displacement @ Nominal speed		713 cfh @ 3500 rpm
Net weight		86 lbs
Oil charge		61 oz, POE - 160PZ
Maximum system test pressure Low Side / High side		363 psi / 435 psi
Maximum differential test pressure		435 psi
Maximum number of starts per hour		12
Refrigerant charge limit		11 lbs
Approved refrigerants		R404A, R507A, R134a, R407C

Dimensions


D=11.3 inch, H=16.3 inch,
H1=10.4 inch, H2=2.9 inch

Terminal box


IP55 (with cable gland)

- 1: Spade connectors 1/4"
- 2: Earth M4-12
- 3: Knock-out Ø 21 mm (0.83")
- 4: Hole Ø 21 mm (0.83")

Electrical Characteristics

Nominal voltage	200-230V/3/60Hz
Voltage range	180-253 V
Winding resistance (between phases) +/- 7% at 77°F	0.55 #
Maximum Continuous Current (MCC)	24 A
Locked Rotor Amps (LRA)	130 A
Motor protection	Internal overload protector

Recommended Installation torques

Oil sight glass	0 ft.lbs
Power connections / Earth connection	ft.lbs / 1 ft.lbs
Mounting bolts	11 ft.lbs

Parts shipped with compressor

Mounting kit with grommets, bolts, nuts, sleeves and washers
Initial oil charge
Installation instructions

Approvals : CE certified, UL certified (file SA6873), -

*Singlepack: Compressor in cardboard box

**Industrial pack: 6 Unboxed compressors on pallet (order per multiples of 6)

Rotolock accessories, suction side
Code no.

Solder sleeve, P07 (1-3/4" Rotolock, 7/8" ODF)	8153013
Angle adapter, C07 (1-3/4" Rotolock, 7/8" ODF)	8168008
Rotolock valve, V07 (1-3/4" Rotolock, 7/8" ODF)	8168032
Gasket, 1-3/4"	8156132

Rotolock accessories, discharge side
Code no.

Solder sleeve, P04 (1-1/4" Rotolock, 3/4" ODF)	8153008
Angle adapter, C04 (1-1/4" Rotolock, 3/4" ODF)	8168006
Rotolock valve, V04 (1-1/4" Rotolock, 3/4" ODF)	8168029
Gasket, 1-1/4"	8156131

Rotolock accessories, sets
Code no.

Angle adapter set, C07 (1-3/4"~7/8"), C04 (1-1/4"~3/4")	7703013
Valve set, V07 (1-3/4"~7/8"), V04 (1-1/4"~3/4")	7703006
Gasket set, 1", 1-1/4", 1-3/4", OSG gaskets black & white	8156009

Oil / lubricants
Code no.

POE lubricant, 160PZ, 1 liter can	7754019
POE lubricant, 160PZ, 2 liter can	7754020

Crankcase heaters
Code no.

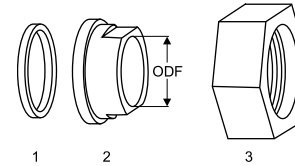
PTC heater 27W, CE mark, UL	120Z0459
Belt type crankcase heater, 65 W, 110 V, CE mark, UL	7773109
Belt type crankcase heater, 65 W, 230 V, CE mark, UL	7773107

Miscellaneous accessories
Code no.

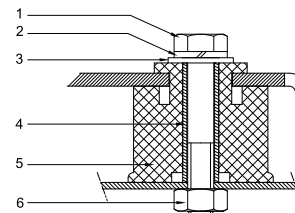
Acoustic hood for 2 cylinder compressor	120Z0472
---	----------

Spare parts
Code no.

Mounting kit for 1 and 2 cylinder compressor, including 3 grommets, 3 bolts	8156001
Service kit for terminal box 80 x 96 mm, including 1 cover, 1 clamp	8156134

Gaskets, sleeves and nuts


- 1: Gasket
- 2: Solder sleeve
- 3: Rotolock nut

Mounting kit


- 1: Bolt (3x)
- 2: Lock washer (3x)
- 3: Flat washer (3x)
- 4: Sleeve (3x)
- 5: Grommet (3x)
- 6: Nut (3x)

Performance data at 60 Hz, ARI rating conditions

R407C

Cond. temp. in °F (tc)	Evaporating temperature in °F (to)								
	10	20	25	30	35	40	45	50	55

Cooling capacity in Btu/h

100	28 011	37 630	43 222	49 387	56 162	63 586	71 696	80 530	90 127
110	25 253	34 238	39 457	45 211	51 538	58 476	66 063	74 337	83 336
120	-	30 858	35 701	41 041	46 917	53 367	60 428	68 138	76 536
130	-	27 509	31 973	36 896	42 318	48 276	54 807	61 951	69 745
140	-	-	28 289	32 793	37 757	43 220	49 219	55 794	62 980
150	-	-	-	-	33 252	38 217	43 681	49 682	56 259

Power input in W

100	3 334	3 684	3 837	3 978	4 110	4 236	4 356	4 474	4 591
110	3 465	3 890	4 078	4 251	4 412	4 564	4 708	4 847	4 984
120	-	4 065	4 293	4 504	4 700	4 885	5 059	5 226	5 388
130	-	4 201	4 475	4 729	4 967	5 191	5 401	5 602	5 795
140	-	-	4 615	4 920	5 206	5 474	5 727	5 968	6 198
150	-	-	-	-	5 407	5 727	6 029	6 315	6 589

Current consumption in A

100	0.00	0.00	0.00	0.00	0.00	0.00	0.00	0.00	0.00
110	0.00	0.00	0.00	0.00	0.00	0.00	0.00	0.00	0.00
120	-	0.00	0.00	0.00	0.00	0.00	0.00	0.00	0.00
130	-	0.00	0.00	0.00	0.00	0.00	0.00	0.00	0.00
140	-	-	0.00	0.00	0.00	0.00	0.00	0.00	0.00
150	-	-	-	-	0.00	0.00	0.00	0.00	0.00

Mass flow in lbs/h

100	368	486	554	628	708	795	889	992	1 102
110	350	465	531	604	682	768	860	961	1 069
120	-	443	508	578	655	739	830	928	1 034
130	-	419	482	551	627	708	797	893	997
140	-	-	456	523	596	676	762	856	958
150	-	-	-	-	564	642	726	818	916

Energy Efficiency Ratio (E.E.R.)

100	8.40	10.22	11.27	12.41	13.66	15.01	16.46	18.00	19.63
110	7.29	8.80	9.68	10.64	11.68	12.81	14.03	15.34	16.72
120	-	7.59	8.32	9.11	9.98	10.93	11.94	13.04	14.21
130	-	6.55	7.15	7.80	8.52	9.30	10.15	11.06	12.04
140	-	-	6.13	6.66	7.25	7.90	8.59	9.35	10.16
150	-	-	-	-	6.15	6.67	7.25	7.87	8.54

Nominal performance at to = 45 °F, tc = 130 °F

Cooling capacity	54 807	Btu/h	Current consumption	0.00	A
Power input	5 401	W	Mass flow	797	lbs/h
E.E.R.	10.15				

Pressure switch settings

Maximum HP switch setting	426	psi(g)
Minimum LP switch setting	3	psi(g)
LP pump down setting	19	psi(g)

T 0 : Evaporating temperature at dew point

T C : Condensing temperature at dew point

Rating conditions : Superheat = 20 °F , Subcooling = 15 °F

All performance data +/- 5%

Sound power data

Sound power level	0	dB(A)
With accoustic hood	0	dB(A)

Danfoss can accept no responsibility for possible errors in catalogues, brochures and other printed material. Danfoss reserves the right to alter its products without notice. This also applies to products already on order provided that such alternations can be made without subsequential changes being necessary in specifications already agreed. All trademarks in this material are property of the respective companies. Danfoss, the Danfoss logotype and Maneurop are trademarks of Danfoss A/S. All rights reserved.

Performance data at 60 Hz, ARI rating conditions

R134a

Cond. temp. in °F (tc)	Evaporating temperature in °F (to)								
	10	20	30	40	45	50	55	60	65

Cooling capacity in Btu/h

100	16 848	23 968	32 672	43 174	49 166	55 689	62 768	70 431	78 704
110	15 109	21 941	30 258	40 272	45 984	52 200	58 948	66 254	74 146
120	13 221	19 735	27 634	37 130	42 545	48 439	54 840	61 775	69 270
130	11 216	17 382	24 831	33 779	38 881	44 438	50 478	57 025	64 108
140	-	14 913	21 883	30 250	35 025	40 230	45 892	52 037	58 692
150	-	-	-	26 577	31 009	35 846	41 114	46 842	53 054
160	-	-	-	-	-	31 317	36 178	41 472	47 226

Power input in W

100	2 349	2 646	2 893	3 091	3 173	3 244	3 303	3 351	3 389
110	2 395	2 747	3 047	3 295	3 401	3 494	3 576	3 646	3 705
120	2 411	2 825	3 184	3 489	3 621	3 742	3 849	3 944	4 027
130	2 388	2 871	3 295	3 663	3 827	3 977	4 113	4 237	4 348
140	-	2 875	3 373	3 810	4 008	4 191	4 360	4 515	4 657
150	-	-	-	3 921	4 156	4 375	4 580	4 771	4 947
160	-	-	-	-	-	4 521	4 766	4 995	5 209

Current consumption in A

100	9.45	9.90	10.28	10.60	10.74	10.86	10.97	11.06	11.14
110	9.54	10.08	10.54	10.94	11.12	11.28	11.43	11.56	11.68
120	9.58	10.23	10.81	11.32	11.55	11.76	11.96	12.14	12.31
130	9.53	10.31	11.03	11.67	11.97	12.25	12.51	12.76	12.99
140	-	10.28	11.15	11.96	12.34	12.69	13.04	13.36	13.67
150	-	-	-	12.13	12.60	13.05	13.49	13.91	14.31
160	-	-	-	-	-	13.28	13.82	14.34	14.85

Mass flow in lbs/h

100	246	343	457	590	665	746	833	926	1 026
110	233	330	445	579	654	734	821	914	1 013
120	216	314	429	563	638	718	804	896	995
130	194	293	409	542	617	696	782	873	971
140	-	268	383	516	590	669	754	845	942
150	-	-	-	485	558	637	721	810	906
160	-	-	-	-	-	598	681	770	864

Energy Efficiency Ratio (E.E.R.)

100	7.17	9.06	11.29	13.97	15.49	17.17	19.00	21.02	23.22
110	6.31	7.99	9.93	12.22	13.52	14.94	16.48	18.17	20.01
120	5.48	6.99	8.68	10.64	11.75	12.95	14.25	15.66	17.20
130	4.70	6.05	7.54	9.22	10.16	11.17	12.27	13.46	14.75
140	-	5.19	6.49	7.94	8.74	9.60	10.53	11.52	12.60
150	-	-	-	6.78	7.46	8.19	8.98	9.82	10.72
160	-	-	-	-	-	6.93	7.59	8.30	9.07

Nominal performance at to = 45 °F, tc = 130 °F

Cooling capacity	38 881	Btu/h	Current consumption	11.97	A
Power input	3 827	W	Mass flow	617	lbs/h
E.E.R.	10.16				

Pressure switch settings

Maximum HP switch setting	328	psi(g)
Minimum LP switch setting	3	psi(g)
LP pump down setting	7	psi(g)

T 0 : Evaporating temperature at dew point

T C : Condensing temperature at dew point

Rating conditions : Superheat = 20 °F , Subcooling = 15 °F

All performance data +/- 5%

Sound power data

Sound power level	0	dB(A)
With acoustic hood	0	dB(A)

Danfoss can accept no responsibility for possible errors in catalogues, brochures and other printed material. Danfoss reserves the right to alter its products without notice. This also applies to products already on order provided that such alternations can be made without subsequential changes being necessary in specifications already agreed. All trademarks in this material are property of the respective companies. Danfoss, the Danfoss logotype and Maneurop are trademarks of Danfoss A/S. All rights reserved.

Performance data at 60 Hz, ARI rating conditions

R404A

Cond. temp. in °F (tc)	Evaporating temperature in °F (to)							
	-20	-10	0	10	20	30	40	45

Cooling capacity in Btu/h

90	13 572	19 683	27 176	36 225	47 004	59 685	74 444	82 657	91 454
100	11 282	16 967	23 914	32 300	42 296	54 078	67 818	75 477	83 691
110	8 998	14 215	20 577	28 259	37 433	48 275	60 956	68 042	75 652
120	6 753	11 463	17 200	24 138	32 451	42 312	53 895	60 387	67 374
130	-	8 748	13 820	19 974	27 385	36 226	46 670	52 548	58 892
140	-	6 105	10 472	15 802	22 271	30 052	39 318	44 562	50 243

Power input in W

90	2 768	3 250	3 662	4 024	4 354	4 669	4 988	5 155	5 330
100	2 724	3 293	3 780	4 202	4 578	4 926	5 265	5 437	5 613
110	2 612	3 283	3 858	4 355	4 792	5 188	5 562	5 745	5 930
120	2 418	3 206	3 884	4 470	4 983	5 441	5 863	6 066	6 267
130	-	3 047	3 842	4 532	5 135	5 670	6 156	6 385	6 609
140	-	2 791	3 719	4 527	5 235	5 862	6 424	6 688	6 942

Current consumption in A

90	10.05	11.07	12.04	12.91	13.66	14.23	14.59	14.68	14.70
100	10.02	11.15	12.23	13.23	14.11	14.81	15.31	15.47	15.57
110	9.87	11.15	12.39	13.55	14.59	15.47	16.15	16.40	16.59
120	9.55	11.02	12.45	13.81	15.05	16.14	17.04	17.40	17.69
130	-	10.69	12.36	13.95	15.43	16.77	17.91	18.40	18.83
140	-	10.11	12.04	13.91	15.67	17.29	18.73	19.36	19.94

Mass flow in lbs/h

90	281	396	531	688	869	1 076	1 312	1 442	1 580
100	254	370	505	662	842	1 047	1 282	1 410	1 546
110	223	340	475	631	810	1 014	1 247	1 374	1 509
120	187	304	439	595	773	976	1 207	1 333	1 467
130	-	263	398	554	731	933	1 161	1 286	1 419
140	-	215	351	506	683	883	1 110	1 233	1 365

Energy Efficiency Ratio (E.E.R.)

90	4.90	6.06	7.42	9.00	10.80	12.78	14.92	16.03	17.16
100	4.14	5.15	6.33	7.69	9.24	10.98	12.88	13.88	14.91
110	3.44	4.33	5.33	6.49	7.81	9.30	10.96	11.84	12.76
120	2.79	3.58	4.43	5.40	6.51	7.78	9.19	9.95	10.75
130	-	2.87	3.60	4.41	5.33	6.39	7.58	8.23	8.91
140	-	2.19	2.82	3.49	4.25	5.13	6.12	6.66	7.24

Nominal performance at to = 20 °F, tc = 120 °F

Cooling capacity	32 451	Btu/h	Current consumption	15.05	A
Power input	4 983	W	Mass flow	773	lbs/h
E.E.R.	6.51				

Pressure switch settings

Maximum HP switch setting	402	psi(g)
Minimum LP switch setting	3	psi(g)
LP pump down setting	13	psi(g)

T 0 : Evaporating temperature at dew point

T C : Condensing temperature at dew point

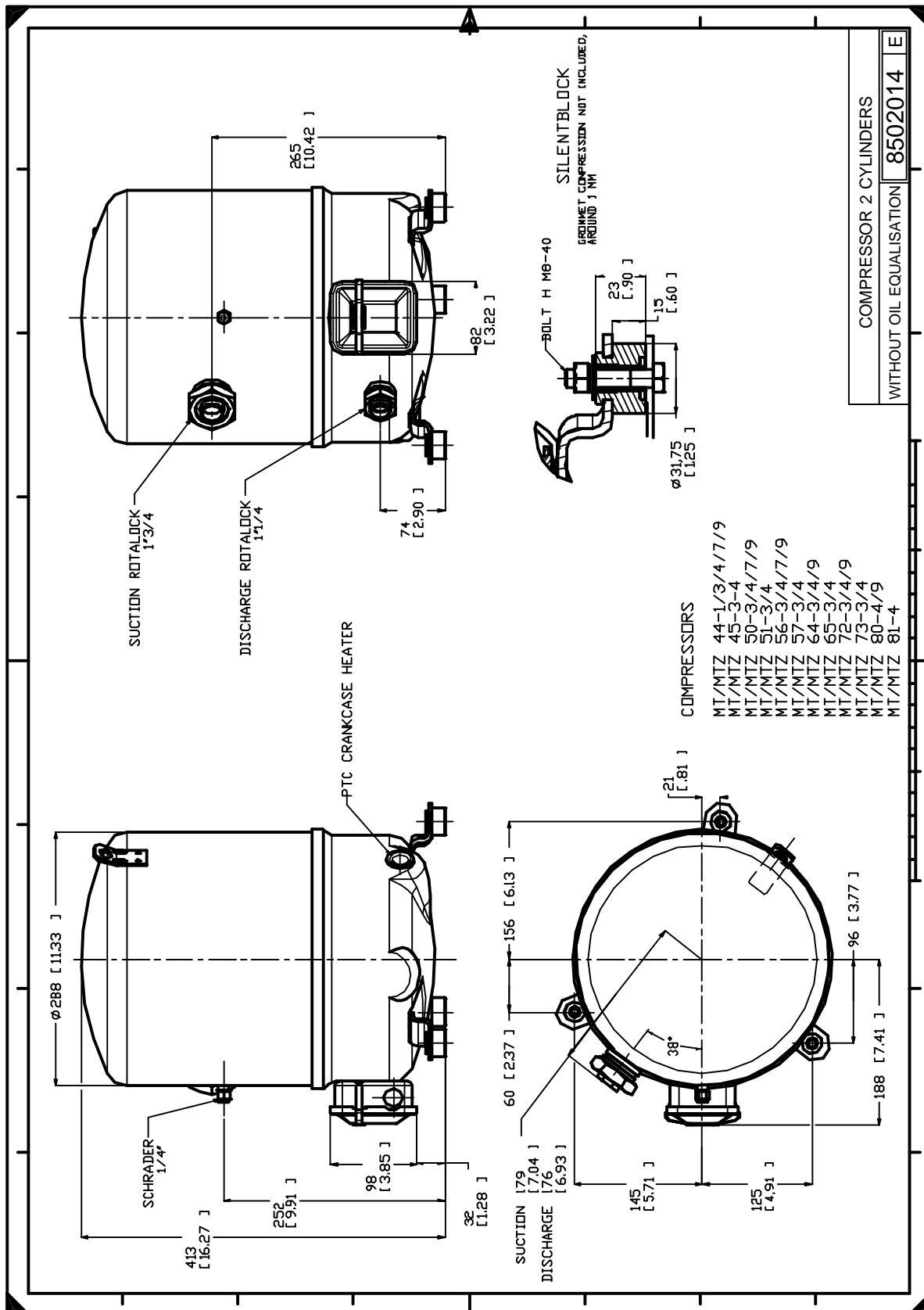
Rating conditions : Superheat = 20 °F , Subcooling = 0 °F

All performance data +/- 5%

Sound power data

Sound power level	81	dB(A)
With acoustic hood	74	dB(A)

Danfoss can accept no responsibility for possible errors in catalogues, brochures and other printed material. Danfoss reserves the right to alter its products without notice. This also applies to products already on order provided that such alternations can be made without subsequent changes being necessary in specifications already agreed. All trademarks in this material are property of the respective companies. Danfoss, the Danfoss logotype and Maneurop are trademarks of Danfoss A/S. All rights reserved.

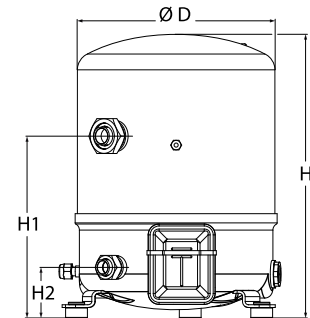


Danfoss can accept no responsibility for possible errors in catalogues, brochures and other printed material. Danfoss reserves the right to alter its products without notice. This also applies to products already on order provided that such alternations can be made without subsequential changes being necessary in specifications already agreed. All trademarks in this material are property of the respective companies. Danfoss, the Danfoss logotype and Maneurop are trademarks of Danfoss A/S. All rights reserved.

General Characteristics

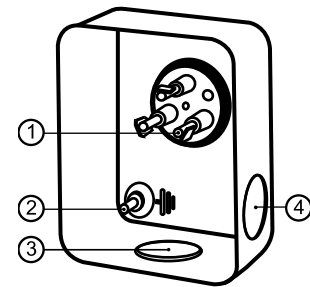
Model number (on compressor nameplate)		MTZ56HL3BVE
Code number for Singlepack*		MTZ56-3VI
Code number for Industrial pack**		MTZ56-3VM
Drawing number		8502012g
Suction and discharge connections		Rotolock
Suction connection		1-3/4 " Rotolock
Discharge connection		1-1/4 " Rotolock
Suction connection with supplied sleeve		7/8 " ODF
Discharge connection with supplied sleeve		3/4 " ODF
Oil sight glass		Threaded
Oil equalization connection		3/8" flare SAE
Oil drain connection		None
LP gauge port		Schrader
IPR valve		435 psi / 115 psi
Cylinders		2
Swept volume		5.87 in3/rev
Displacement @ Nominal speed		713 cfh @ 3500 rpm
Net weight		86 lbs
Oil charge		61 oz. POE - 160PZ
Maximum system test pressure Low Side / High side		363 psi / 435 psi
Maximum differential test pressure		435 psi
Maximum number of starts per hour		12
Refrigerant charge limit		11 lbs
Approved refrigerants		R404A, R507A, R134a, R407C

Dimensions



D=11.3 inch, H=16.3 inch,
H1=10.4 inch, H2=2.9 inch

Terminal box



IP55 (with cable gland)

- 1: Spade connectors 1/4"
- 2: Earth M4-12
- 3: Knock-out Ø 21 mm (0.83")
- 4: Hole Ø 21 mm (0.83")

Electrical Characteristics

Nominal voltage	200-230V/3/60Hz
Voltage range	180-253 V
Winding resistance (between phases) +/- 7% at 77°F	0.55 #
Maximum Continuous Current (MCC)	24 A
Locked Rotor Amps (LRA)	130 A
Motor protection	Internal overload protector

Recommended Installation torques

Oil sight glass	37 ft.lbs
Power connections / Earth connection	ft.lbs / 1 ft.lbs
Mounting bolts	11 ft.lbs

Parts shipped with compressor

Mounting kit with grommets, bolts, nuts, sleeves and washers
Suction & Discharge solder sleeves, rotolock nuts and gaskets (shipped with rotolock version only)
Initial oil charge
Installation instructions

Approvals : CE certified, UL certified (file SA6873), -

*Singlepack: Compressor in cardboard box

**Industrial pack: 6 Unboxed compressors on pallet (order per multiples of 6)

Danfoss can accept no responsibility for possible errors in catalogues, brochures and other printed material. Danfoss reserves the right to alter its products without notice. This also applies to products already on order provided that such alternations can be made without subsequential changes being necessary in specifications already agreed. All trademarks in this material are property of the respective companies. Danfoss, the Danfoss logotype and Maneurop are trademarks of Danfoss A/S. All rights reserved.

Rotolock accessories, suction side
Code no.

Solder sleeve, P07 (1-3/4" Rotolock, 7/8" ODF)	8153013
Angle adapter, C07 (1-3/4" Rotolock, 7/8" ODF)	8168008
Rotolock valve, V07 (1-3/4" Rotolock, 7/8" ODF)	8168032
Gasket, 1-3/4"	8156132

Rotolock accessories, discharge side
Code no.

Solder sleeve, P04 (1-1/4" Rotolock, 3/4" ODF)	8153008
Angle adapter, C04 (1-1/4" Rotolock, 3/4" ODF)	8168006
Rotolock valve, V04 (1-1/4" Rotolock, 3/4" ODF)	8168029
Gasket, 1-1/4"	8156131

Rotolock accessories, sets
Code no.

Angle adapter set, C07 (1-3/4"~7/8"), C04 (1-1/4"~3/4")	7703013
Valve set, V07 (1-3/4"~7/8"), V04 (1-1/4"~3/4")	7703006
Gasket set, 1", 1-1/4", 1-3/4", OSG gaskets black & white	8156009

Oil / lubricants
Code no.

POE lubricant, 160PZ, 1 liter can	7754019
POE lubricant, 160PZ, 2 liter can	7754020

Crankcase heaters
Code no.

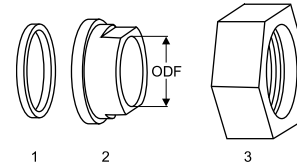
PTC heater 27W, CE mark, UL	120Z0459
Belt type crankcase heater, 65 W, 110 V, CE mark, UL	7773109
Belt type crankcase heater, 65 W, 230 V, CE mark, UL	7773107

Miscellaneous accessories
Code no.

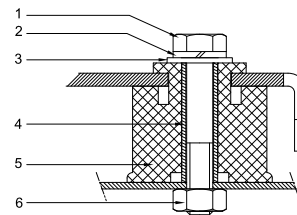
Acoustic hood for 2 cylinder compressor	120Z0472
Oil equalisation nut	8153127

Spare parts
Code no.

Mounting kit for 1 and 2 cylinder compressor, including 3 grommets, 3 bolts	8156001
Oil sight glass with gaskets (black & white)	8156019
Gasket for oil sight glass (black chloroprene)	8156145
Service kit for terminal box 80 x 96 mm, including 1 cover, 1 clamp	8156134

Gaskets, sleeves and nuts


- 1: Gasket
- 2: Solder sleeve
- 3: Rotolock nut

Mounting kit


- 1: Bolt (3x)
- 2: Lock washer (3x)
- 3: Flat washer (3x)
- 4: Sleeve (3x)
- 5: Grommet (3x)
- 6: Nut (3x)

Performance data at 60 Hz, ARI rating conditions

R407C

Cond. temp. in °F (tc)	Evaporating temperature in °F (to)								
	10	20	25	30	35	40	45	50	55

Cooling capacity in Btu/h

100	28 011	37 630	43 222	49 387	56 162	63 586	71 696	80 530	90 127
110	25 253	34 238	39 457	45 211	51 538	58 476	66 063	74 337	83 336
120	-	30 858	35 701	41 041	46 917	53 367	60 428	68 138	76 536
130	-	27 509	31 973	36 896	42 318	48 276	54 807	61 951	69 745
140	-	-	28 289	32 793	37 757	43 220	49 219	55 794	62 980
150	-	-	-	-	33 252	38 217	43 681	49 682	56 259

Power input in W

100	3 334	3 684	3 837	3 978	4 110	4 236	4 356	4 474	4 591
110	3 465	3 890	4 078	4 251	4 412	4 564	4 708	4 847	4 984
120	-	4 065	4 293	4 504	4 700	4 885	5 059	5 226	5 388
130	-	4 201	4 475	4 729	4 967	5 191	5 401	5 602	5 795
140	-	-	4 615	4 920	5 206	5 474	5 727	5 968	6 198
150	-	-	-	-	5 407	5 727	6 029	6 315	6 589

Current consumption in A

100	0.00	0.00	0.00	0.00	0.00	0.00	0.00	0.00	0.00
110	0.00	0.00	0.00	0.00	0.00	0.00	0.00	0.00	0.00
120	-	0.00	0.00	0.00	0.00	0.00	0.00	0.00	0.00
130	-	0.00	0.00	0.00	0.00	0.00	0.00	0.00	0.00
140	-	-	0.00	0.00	0.00	0.00	0.00	0.00	0.00
150	-	-	-	-	0.00	0.00	0.00	0.00	0.00

Mass flow in lbs/h

100	368	486	554	628	708	795	889	992	1 102
110	350	465	531	604	682	768	860	961	1 069
120	-	443	508	578	655	739	830	928	1 034
130	-	419	482	551	627	708	797	893	997
140	-	-	456	523	596	676	762	856	958
150	-	-	-	-	564	642	726	818	916

Energy Efficiency Ratio (E.E.R.)

100	8.40	10.22	11.27	12.41	13.66	15.01	16.46	18.00	19.63
110	7.29	8.80	9.68	10.64	11.68	12.81	14.03	15.34	16.72
120	-	7.59	8.32	9.11	9.98	10.93	11.94	13.04	14.21
130	-	6.55	7.15	7.80	8.52	9.30	10.15	11.06	12.04
140	-	-	6.13	6.66	7.25	7.90	8.59	9.35	10.16
150	-	-	-	-	6.15	6.67	7.25	7.87	8.54

Nominal performance at to = 45 °F, tc = 130 °F

Cooling capacity	54 807	Btu/h	Current consumption	0.00	A
Power input	5 401	W	Mass flow	797	lbs/h
E.E.R.	10.15				

Pressure switch settings

Maximum HP switch setting	426	psi(g)
Minimum LP switch setting	3	psi(g)
LP pump down setting	19	psi(g)

T 0 : Evaporating temperature at dew point

T C : Condensing temperature at dew point

Rating conditions : Superheat = 20 °F , Subcooling = 15 °F

All performance data +/- 5%

Sound power data

Sound power level	0	dB(A)
With accoustic hood	0	dB(A)

Performance data at 60 Hz, ARI rating conditions

R134a

Cond. temp. in °F (tc)	Evaporating temperature in °F (to)								
	10	20	30	40	45	50	55	60	65

Cooling capacity in Btu/h

100	16 848	23 968	32 672	43 174	49 166	55 689	62 768	70 431	78 704
110	15 109	21 941	30 258	40 272	45 984	52 200	58 948	66 254	74 146
120	13 221	19 735	27 634	37 130	42 545	48 439	54 840	61 775	69 270
130	11 216	17 382	24 831	33 779	38 881	44 438	50 478	57 025	64 108
140	-	14 913	21 883	30 250	35 025	40 230	45 892	52 037	58 692
150	-	-	-	26 577	31 009	35 846	41 114	46 842	53 054
160	-	-	-	-	-	31 317	36 178	41 472	47 226

Power input in W

100	2 349	2 646	2 893	3 091	3 173	3 244	3 303	3 351	3 389
110	2 395	2 747	3 047	3 295	3 401	3 494	3 576	3 646	3 705
120	2 411	2 825	3 184	3 489	3 621	3 742	3 849	3 944	4 027
130	2 388	2 871	3 295	3 663	3 827	3 977	4 113	4 237	4 348
140	-	2 875	3 373	3 810	4 008	4 191	4 360	4 515	4 657
150	-	-	-	3 921	4 156	4 375	4 580	4 771	4 947
160	-	-	-	-	-	4 521	4 766	4 995	5 209

Current consumption in A

100	9.45	9.90	10.28	10.60	10.74	10.86	10.97	11.06	11.14
110	9.54	10.08	10.54	10.94	11.12	11.28	11.43	11.56	11.68
120	9.58	10.23	10.81	11.32	11.55	11.76	11.96	12.14	12.31
130	9.53	10.31	11.03	11.67	11.97	12.25	12.51	12.76	12.99
140	-	10.28	11.15	11.96	12.34	12.69	13.04	13.36	13.67
150	-	-	-	12.13	12.60	13.05	13.49	13.91	14.31
160	-	-	-	-	-	13.28	13.82	14.34	14.85

Mass flow in lbs/h

100	246	343	457	590	665	746	833	926	1 026
110	233	330	445	579	654	734	821	914	1 013
120	216	314	429	563	638	718	804	896	995
130	194	293	409	542	617	696	782	873	971
140	-	268	383	516	590	669	754	845	942
150	-	-	-	485	558	637	721	810	906
160	-	-	-	-	-	598	681	770	864

Energy Efficiency Ratio (E.E.R.)

100	7.17	9.06	11.29	13.97	15.49	17.17	19.00	21.02	23.22
110	6.31	7.99	9.93	12.22	13.52	14.94	16.48	18.17	20.01
120	5.48	6.99	8.68	10.64	11.75	12.95	14.25	15.66	17.20
130	4.70	6.05	7.54	9.22	10.16	11.17	12.27	13.46	14.75
140	-	5.19	6.49	7.94	8.74	9.60	10.53	11.52	12.60
150	-	-	-	6.78	7.46	8.19	8.98	9.82	10.72
160	-	-	-	-	-	6.93	7.59	8.30	9.07

Nominal performance at to = 45 °F, tc = 130 °F

Cooling capacity	38 881	Btu/h	Current consumption	11.97	A
Power input	3 827	W	Mass flow	617	lbs/h
E.E.R.	10.16				

Pressure switch settings

Maximum HP switch setting	328	psi(g)
Minimum LP switch setting	3	psi(g)
LP pump down setting	7	psi(g)

T 0 : Evaporating temperature at dew point

T C : Condensing temperature at dew point

Rating conditions : Superheat = 20 °F , Subcooling = 15 °F

All performance data +/- 5%

Sound power data

Sound power level	0	dB(A)
With acoustic hood	0	dB(A)

Danfoss can accept no responsibility for possible errors in catalogues, brochures and other printed material. Danfoss reserves the right to alter its products without notice. This also applies to products already on order provided that such alternations can be made without subsequential changes being necessary in specifications already agreed. All trademarks in this material are property of the respective companies. Danfoss, the Danfoss logotype and Maneurop are trademarks of Danfoss A/S. All rights reserved.

Performance data at 60 Hz, ARI rating conditions

R404A

Cond. temp. in °F (tc)	Evaporating temperature in °F (to)							
	-20	-10	0	10	20	30	40	45

Cooling capacity in Btu/h

90	13 572	19 683	27 176	36 225	47 004	59 685	74 444	82 657	91 454
100	11 282	16 967	23 914	32 300	42 296	54 078	67 818	75 477	83 691
110	8 998	14 215	20 577	28 259	37 433	48 275	60 956	68 042	75 652
120	6 753	11 463	17 200	24 138	32 451	42 312	53 895	60 387	67 374
130	-	8 748	13 820	19 974	27 385	36 226	46 670	52 548	58 892
140	-	6 105	10 472	15 802	22 271	30 052	39 318	44 562	50 243

Power input in W

90	2 768	3 250	3 662	4 024	4 354	4 669	4 988	5 155	5 330
100	2 724	3 293	3 780	4 202	4 578	4 926	5 265	5 437	5 613
110	2 612	3 283	3 858	4 355	4 792	5 188	5 562	5 745	5 930
120	2 418	3 206	3 884	4 470	4 983	5 441	5 863	6 066	6 267
130	-	3 047	3 842	4 532	5 135	5 670	6 156	6 385	6 609
140	-	2 791	3 719	4 527	5 235	5 862	6 424	6 688	6 942

Current consumption in A

90	10.05	11.07	12.04	12.91	13.66	14.23	14.59	14.68	14.70
100	10.02	11.15	12.23	13.23	14.11	14.81	15.31	15.47	15.57
110	9.87	11.15	12.39	13.55	14.59	15.47	16.15	16.40	16.59
120	9.55	11.02	12.45	13.81	15.05	16.14	17.04	17.40	17.69
130	-	10.69	12.36	13.95	15.43	16.77	17.91	18.40	18.83
140	-	10.11	12.04	13.91	15.67	17.29	18.73	19.36	19.94

Mass flow in lbs/h

90	281	396	531	688	869	1 076	1 312	1 442	1 580
100	254	370	505	662	842	1 047	1 282	1 410	1 546
110	223	340	475	631	810	1 014	1 247	1 374	1 509
120	187	304	439	595	773	976	1 207	1 333	1 467
130	-	263	398	554	731	933	1 161	1 286	1 419
140	-	215	351	506	683	883	1 110	1 233	1 365

Energy Efficiency Ratio (E.E.R.)

90	4.90	6.06	7.42	9.00	10.80	12.78	14.92	16.03	17.16
100	4.14	5.15	6.33	7.69	9.24	10.98	12.88	13.88	14.91
110	3.44	4.33	5.33	6.49	7.81	9.30	10.96	11.84	12.76
120	2.79	3.58	4.43	5.40	6.51	7.78	9.19	9.95	10.75
130	-	2.87	3.60	4.41	5.33	6.39	7.58	8.23	8.91
140	-	2.19	2.82	3.49	4.25	5.13	6.12	6.66	7.24

Nominal performance at to = 20 °F, tc = 120 °F

Cooling capacity	32 451	Btu/h	Current consumption	15.05	A
Power input	4 983	W	Mass flow	773	lbs/h
E.E.R.	6.51				

Pressure switch settings

Maximum HP switch setting	402	psi(g)
Minimum LP switch setting	3	psi(g)
LP pump down setting	13	psi(g)

T 0 : Evaporating temperature at dew point

T C : Condensing temperature at dew point

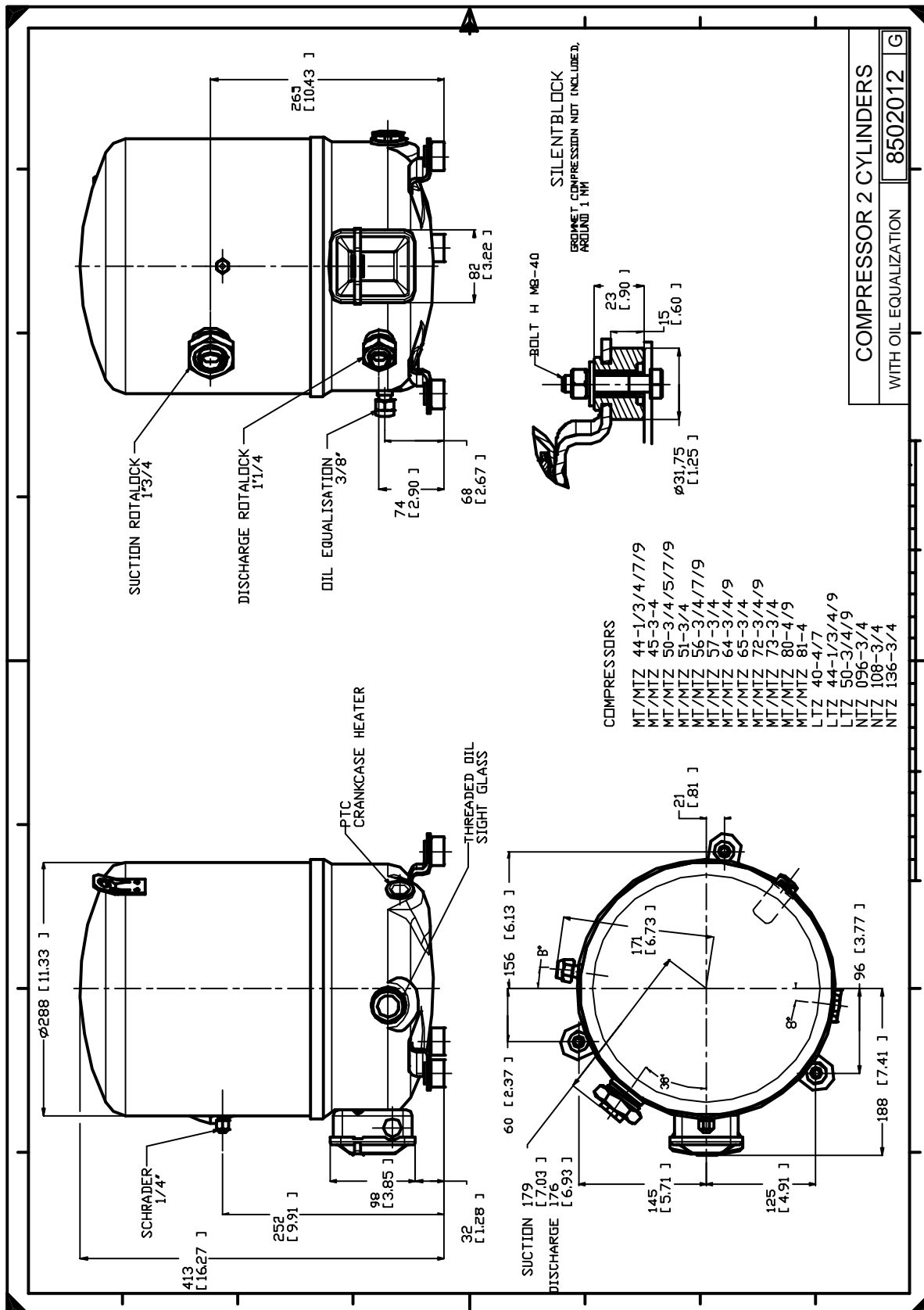
Rating conditions : Superheat = 20 °F , Subcooling = 0 °F

All performance data +/- 5%

Sound power data

Sound power level	81	dB(A)
With acoustic hood	74	dB(A)

Danfoss can accept no responsibility for possible errors in catalogues, brochures and other printed material. Danfoss reserves the right to alter its products without notice. This also applies to products already on order provided that such alternations can be made without subsequential changes being necessary in specifications already agreed. All trademarks in this material are property of the respective companies. Danfoss, the Danfoss logotype and Maneurop are trademarks of Danfoss A/S. All rights reserved.



Danfoss can accept no responsibility for possible errors in catalogues, brochures and other printed material. Danfoss reserves the right to alter its products without notice. This also applies to products already on order provided that such alternations can be made without subsequential changes being necessary in specifications already agreed. All trademarks in this material are property of the respective companies. Danfoss, the Danfoss logotype and Maneurop are trademarks of Danfoss A/S. All rights reserved.