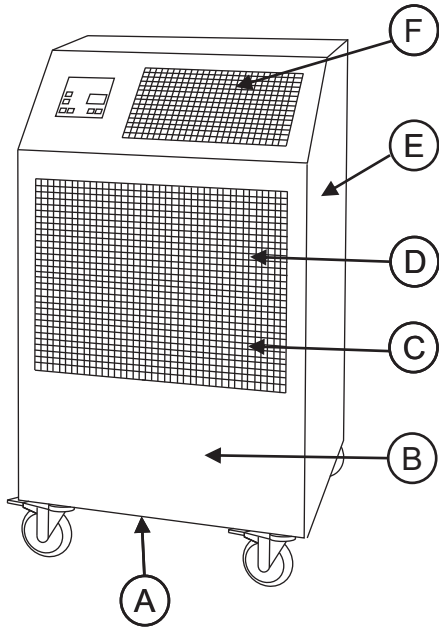
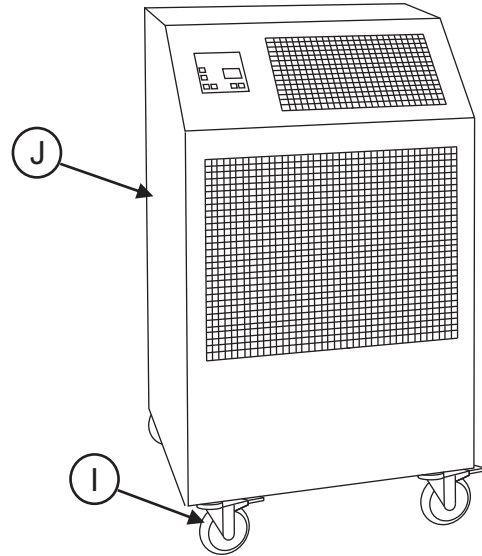


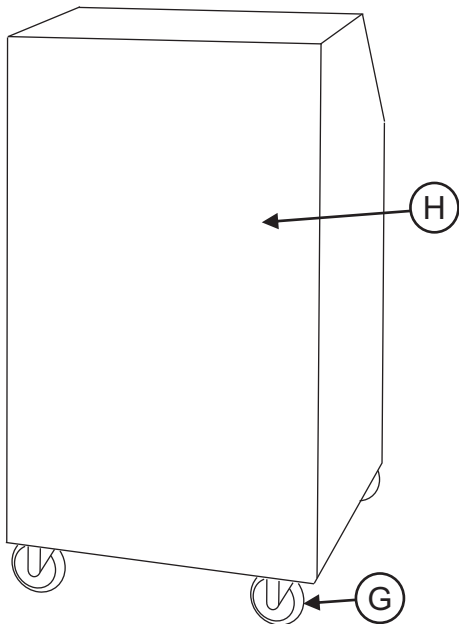
EXTERIOR PANEL DIAGRAM - OWC1811



FRONT/RIGHT SIDE



FRONT/LEFT SIDE



REAR/LEFT SIDE

* PART NUMBER	DESCRIPTION
A SA076-146	BASE PAN
B SA076-132-18	FRONT PANEL
C 038-015	EVAPORATOR RETURN GRILLE
D 030-012	EVAPORATOR FILTER (BEHIND GRILLE)
E SA076-074	RIGHT SIDE PANEL
F 038-012	DISCHARGE GRILLE
G 011-006	4" SWIVEL CASTER
H SA076-206	BACK PANEL
I 011-005	4" SWIVEL CASTER WITH BRAKE
J SA076-073	LEFT SIDE PANEL