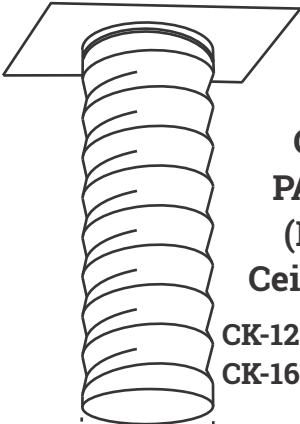


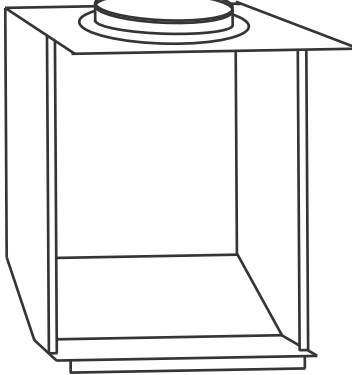
Optional ACCESSORIES

CONDENSER
RETURN



**CEILING
PANEL KIT
(Duct and
Ceiling Panel)**

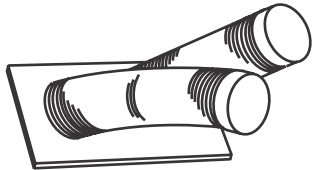
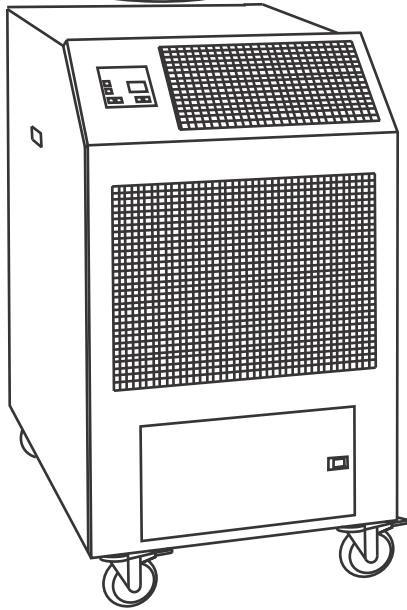
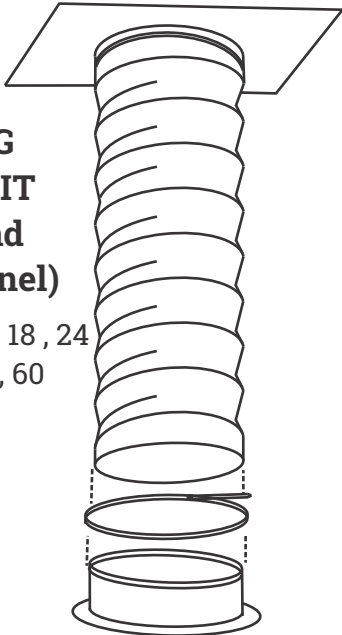
CK-12 size 12, 18, 24
CK-16 size 36, 60



**CONDENSER RETURN
AIR PLENUM**

2DCP-1 12" for size 12
2DCP-2 12" for size 18, 24
DCP-5 16" for size 36, 60

CONDENSER
DISCHARGE

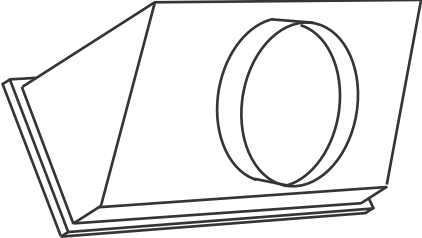


NOZZLE KIT

for Directional

Cooling/Heating

2NK-1 2 x 4" for size 12
2NK-2 2 X 6" for size 18, 24
2NK-3 2 X 8" for size 36, 60

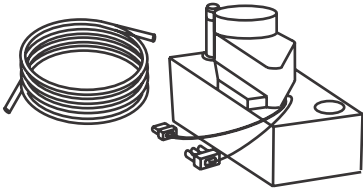


DISCHARGE DUCT ADAPTER

for Extended

Single Duct Length

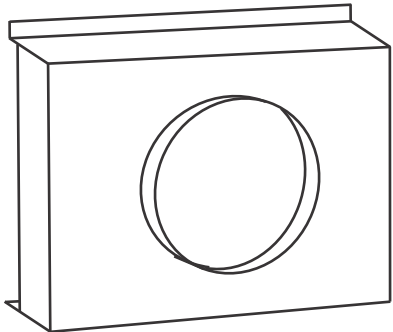
2DDA-6 6" for size 12
2DDA-10 10" for size 18, 24
2DDA-16 16" for size 36, 60



**UNIVERSAL CONDENSATE
PUMP KIT**

for Unattended Operation

UPK-115 115V for size 12, 18
UPK-230 230V for size 24, 36



**EVAPORATOR RETURN
AIR PLENUM**

DEP-10 10" for size 12
2DEP-12 12" for size 18, 24
DEP-16 16" for size 36, 60