

## Junction Box & Thermostat Selection

The Norseman™ XPA heaters come standard with an XJB-4 junction box and a 50°F (10°C) pre-set thermostat. Other junction boxes and thermostat options are available as shown in TABLE 13.

**TABLE 13 - Available Junction Box & Thermostat Options**

Junction Box	Standard (S) or Optional (O)	Hazardous Classification	Hazardous Groups	NEMA 4	Adjustable Thermostat (Range °C)	Provided with Pre-Set Thermostat	Special Features
XJB-4	S	Cl I, Div 1	A,B,C,D	Y	N	Y *	Side Conduit Entry
XJB-7	O	Cl I, Div 1	A,B,C,D	N	N	Y *	Rear Conduit Entry
XTWA	O	Cl I, Div 1	A,B,C,D	Y	Y (-18 to 40)	N	<b>x-Max®</b> Housing
XT-311	O	Cl I, Div 1	C,D	N	Y (2 to 28)	N	Small Bandwidth for Adjustment
XT-411	O	Cl I, Div 1	C, D	N	Y (5 to 30)	N	Suitable for Robust Applications

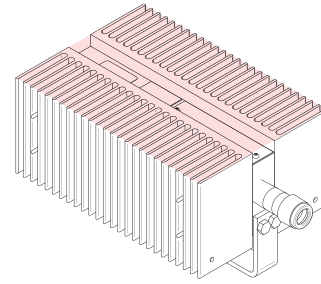
**Note:**

\* Pre-set thermostats are available in the following ranges:  
 0 = 32°F (0°C) on / 46°F (8°C) off  
 10 = 10°C (50°F) on / 64°F (18°C) off  
 20 = 20°C (68°F) on / 82°F (28°C) off  
 30 = 30°C (86°F) on / 100°F (38°C) off  
 Other set points available upon request

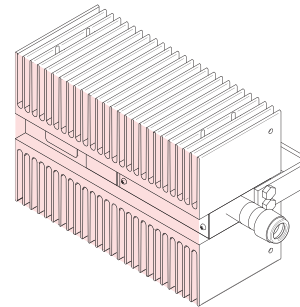
## Installation

All Norseman™ XPA heaters must be installed with junction boxes and/or conduit, as required by applicable local and national codes.

The Norseman™ XPAL & XPAS heater may be mounted in the side or horizontal orientations shown in Figure 18. “Horizontal Only” XPAL Models are available to allow maximum wattage application at given temperature codes. See TABLE 14 for “Horizontal Only” applications. The Norseman™ XPAR may only be mounted in the vertical orientation as shown in Figure 18.



XPAS/XPAL Horizontal Mount



XPAS/XPAL Side Mount



XPAR Vertical Mount

Figure 18 Installation Orientations