

**STANDARD FEATURES**

- CSA C/US Certified for Class I, Group D and Class II, Groups F & G, Divisions 1 & 2. Optional marking for Class I, Zone 1 & 2, Group IIA
- low watt density extra heavy wall tubular steel finned heating elements with nickel plated finish
- glycol-free design allows the heater to be tilted at 30° below the horizontal
- Caloritech's patented *x-Max*® housing with track and trolley system simplifies installation and servicing
- heavy duty 16 ga. stainless steel casing
- terminals for remote thermostat connection
- dual automatic reset high limits
- contactor derated for extended service life
- isolated supply connection housing eliminates the need for field installed conduit seals for many Div. 2, Zone 1 & Zone 2 installations. Consult the electrical code
- 120V control circuit voltage
- inlet wire guard.
- minimum clearance from floor 610mm (24")

**MOTORS**

- explosion proof with built-in thermal overload
- approved for Class I, Group D; Class II, Groups F & G
- double shielded ball bearings
- 1725 rpm
- 1/12 hp

**THERMOSTATS**

- optional built-in externally adjustable bulb type thermostats field convertible to tamper-proof
- optional remote mounting 'XT' model thermostat

**OPTIONAL FACTORY INSTALLED FEATURES**  
(included if checked)

- (a) built-in, externally adjustable thermostat
- (b) disconnect switch
- (c) moisture resistant construction
- (d) auto/off/fan switch
- (e) pilot light
- (f) manual reset high limit

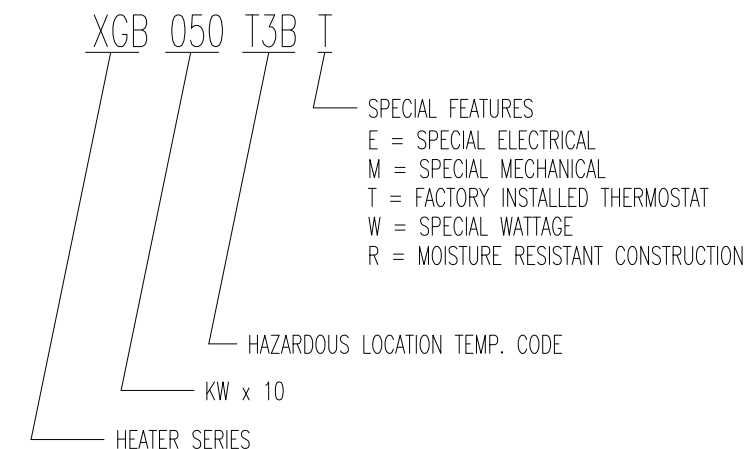
**OPTIONAL ACCESSORIES**  
(included if checked)

- (g) CM-01 ceiling mount kit
- (h) WM-01 wall mount kit
- (i) PM-01 post mount kit
- (j) FMS-01 floor stand kit

UNIT SUPPLIED AS CHECKED

TABLE 1 - SPECIFICATIONS

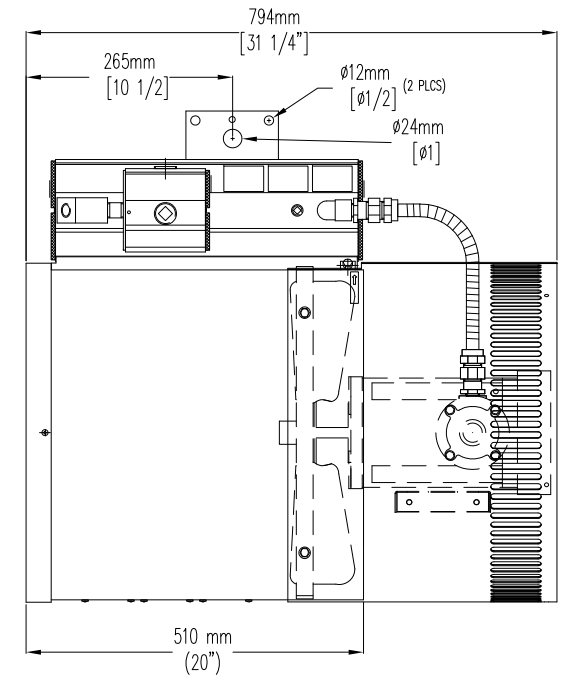
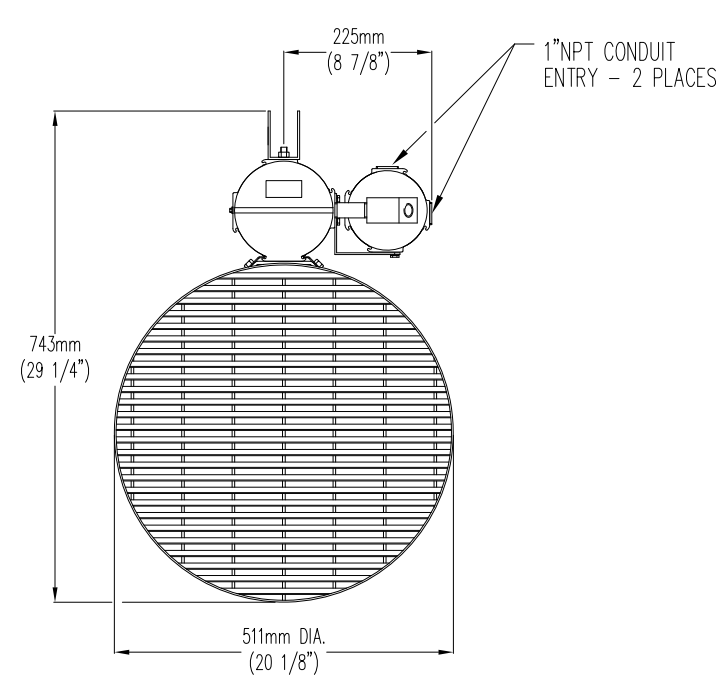
KW (BTU/HR)	VOLTS	PHASE	HAZARDOUS LOCATIONS RATING	TEMP CODE			APPROX AIR FLOW CFM (litres/s)	APPROX TEMP RISE F° (C°)	APPROX WEIGHT LBS (KG)	CATALOG NO.	BASIC UNIT	WITH THERMOSTAT
				T2C	T3A	T3B						
3.75 (12795)	208	1 OR 3		✓	✓	✓	850 (400)	13 (7.4)	100 (45)	XGB038T3B	<input type="checkbox"/>	<input type="checkbox"/>
	240	1 OR 3	CL. I, GR. D;	✓	✓	✓						
	480	3	CL. II, GR. F&G	✓	✓	✓						
5 (17060)	208	1 OR 3		✓	✓	✓	850 (400)	18 (9.8)	100 (45)	XGB050T3B	<input type="checkbox"/>	<input type="checkbox"/>
	240	1 OR 3	CL. I, GR. D;	✓	✓	✓						
	480	3	CL. II, GR. F&G	✓	✓	✓						
7.5 (25590)	208	1 OR 3		✓	✓	-	1000 (470)	23 (12.5)	100 (45)	XGB075T3A	<input type="checkbox"/>	<input type="checkbox"/>
	240	1 OR 3	CL. I, GR. D	✓	✓	-						
	480	3		✓	✓	-						
10 (34120)	208	3		✓	-	-	1000 (470)	30 (16.7)	100 (45)	XGB100T2C	<input type="checkbox"/>	<input type="checkbox"/>
	240	1 OR 3	CL. I, GR. D	✓	-	-						
	480	3		✓	-	-						
	600	3		✓	-	-				XGB100T2C	<input type="checkbox"/>	<input type="checkbox"/>



ITEM NO.	CATALOG NO.	VOLTS	PHASE	KW	OPTIONAL FEATURES/ACCESSORIES

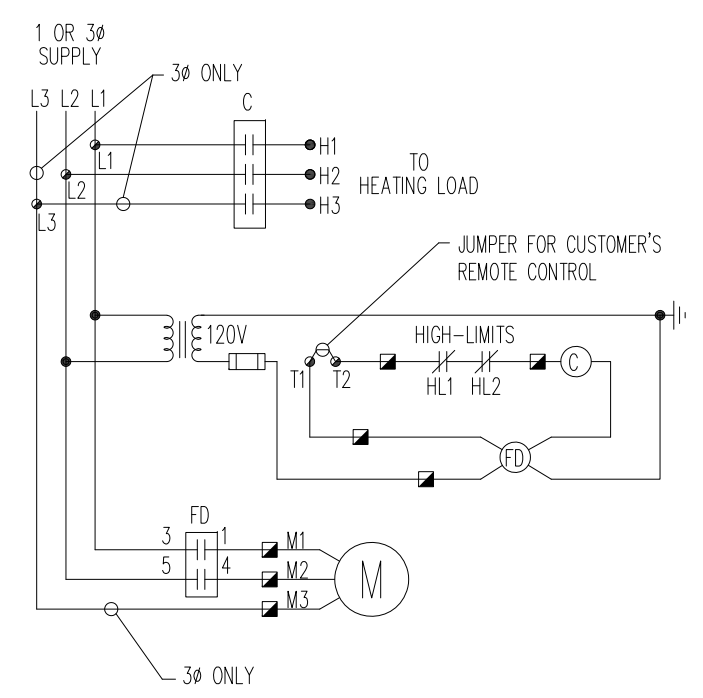
TITLE APPROVAL DATA SHEET NORSEMAN™ EXPLOSION-RESISTANT UNIT HEATER SMALL UNIT - 3.75 TO 10KW	
DWG B14300A	REV. 5
CUSTOMER	P.O.
PROJECT	





OUTLET END

SIDE VIEW



SCHEMATIC WIRING DIAGRAM  
- ALL 1 OR 3 PHASE UNITS W/ CONTINUOUS FAN OPTION

ITEM NO.	CATALOG NO.	VOLTS	PHASE	KW	OPTIONAL FEATURES/ACCESSORIES
----------	-------------	-------	-------	----	-------------------------------

**STANDARD FEATURES**

- CSA C/US Certified for Class I, Groups C & D and Class II, Groups E, F & G, Divisions 1 & 2. Optional marking for Class I, Zone 1 & 2, Group IIA & IIB
- \* Optional Rating Class I, Div. II, Groups B, C & D. (Available only in the large cabinet heater)
- low watt density extra heavy wall tubular steel finned heating elements with nickel plated finish
- glycol-free design allows the heater to be tilted at 30° below the horizontal
- louvred outlet provides maximum range for outlet flow direction (air can be directed almost vertically)
- Caloritech's patented *x-Max* housing with track and trolley system simplifies installation and servicing
- heavy duty 16 ga. stainless steel casing
- terminals for remote thermostat connection
- dual automatic reset high limits
- contactor derated for extended service life
- isolated supply connection housing eliminates the need for field installed conduit seals for many Div. 2, Zone 1 & Zone 2 installations. Consult the electrical code
- 120V control circuit voltage
- 18 ga. stainless steel inlet guard.
- minimum clearance from floor 610mm (24")

**MOTORS**

- explosion proof with built-in thermal overload
- approved for Class I, Groups C & D; Class II, Groups E, F & G
- double shielded ball bearings
- 1725 rpm
- 1/2 hp

**THERMOSTATS**

- optional built-in externally adjustable bulb type thermostats field convertible to tamper-proof
- optional remote mounting 'XT' model thermostat

**OPTIONAL FACTORY INSTALLED FEATURES**  
(included if checked)

- (a) built-in, externally adjustable thermostat
- (b) disconnect switch
- (c) moisture resistant construction
- (d) auto/off/fan switch
- (e) pilot light
- (f) manual reset high limit

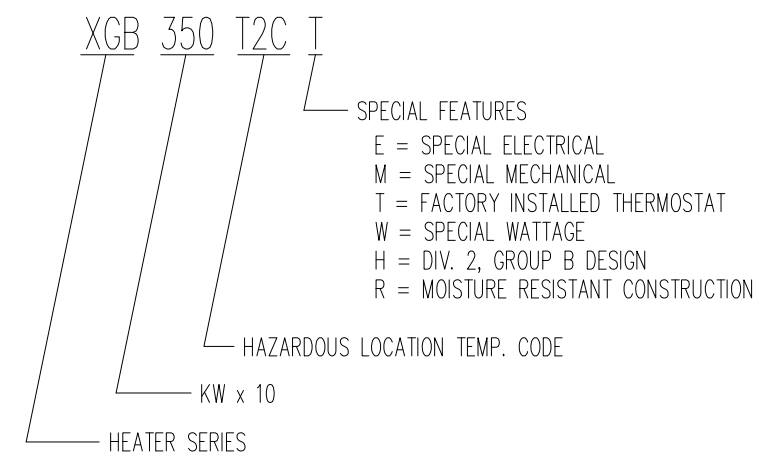
**OPTIONAL ACCESSORIES**  
(included if checked)

- (g) CM-01 ceiling mount kit
- (h) WM-01 wall mount kit
- (i) PM-01 post mount kit
- (j) FMS-01 floor stand kit

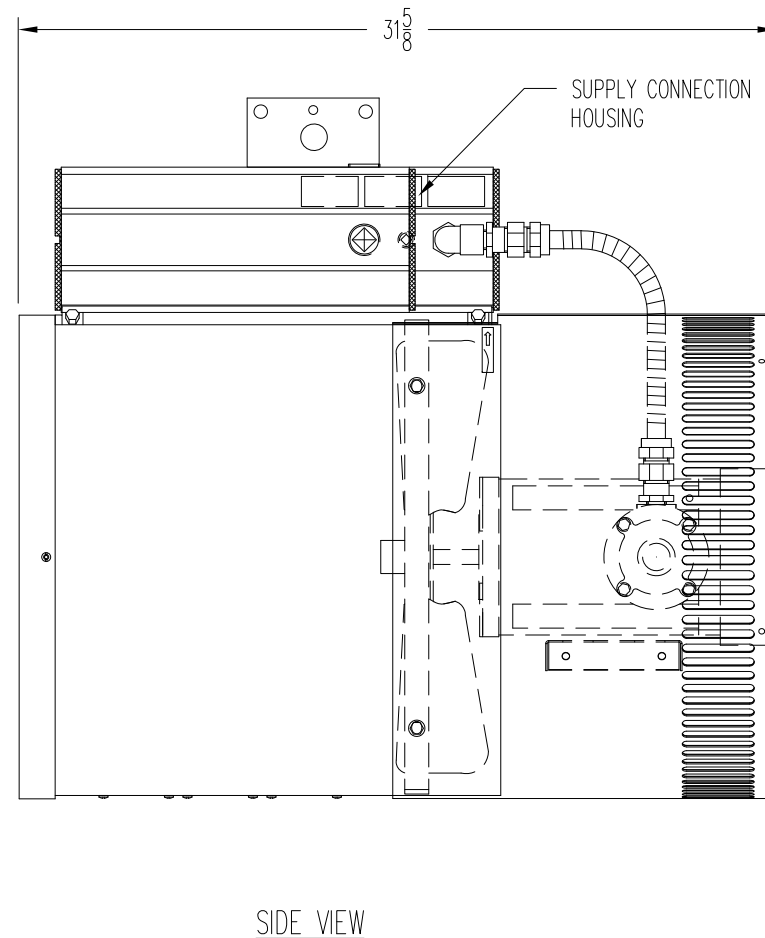
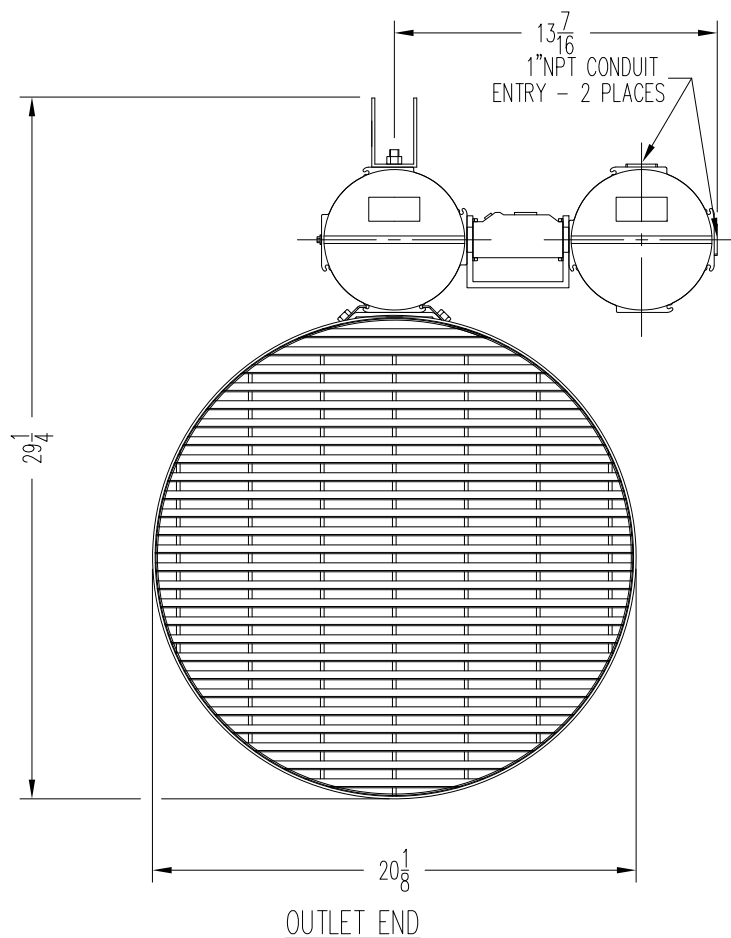
UNIT SUPPLIED AS CHECKED

TABLE 1 - SPECIFICATIONS

KW (BTU/HR)	VOLTS	PHASE	HAZARDOUS LOCATIONS RATING	TEMP CODE				APPROX AIR FLOW CFM (litres/s)	APPROX TEMP RISE F° (C°)	APPROX WEIGHT LBS (KG)	CATALOG NO.	BASIC UNIT	WITH THERMOSTAT
				T2C	T2D	T3A	T3B						
10 (34120)	208	3		✓	✓	✓	✓	1850 (870)	16 (9.0)	145 (66)	XGB100T3B	<input type="checkbox"/>	<input type="checkbox"/>
	240	1 OR 3	CL. I, GR. C&D;	✓	✓	✓	✓				XGB100T3B	<input type="checkbox"/>	<input type="checkbox"/>
	480	3	CL. II, GR. E,F&G	✓	✓	✓	✓				XGB100T3B	<input type="checkbox"/>	<input type="checkbox"/>
15 (51180)	208	3		✓	✓	✓	✓	1850 (870)	24 (13.5)	145 (66)	XGB150T3B	<input type="checkbox"/>	<input type="checkbox"/>
	240	3	CL. I, GR. C&D;	✓	✓	✓	✓				XGB150T3B	<input type="checkbox"/>	<input type="checkbox"/>
	480	3	CL. II, GR. E,F&G	✓	✓	✓	✓				XGB150T3B	<input type="checkbox"/>	<input type="checkbox"/>
20 (68240)	208	3		✓	✓	✓	✓	1850 (870)	32 (17.8)	185 (84)	XGB200T3B	<input type="checkbox"/>	<input type="checkbox"/>
	480	3	CL. I, GR. C&D;	✓	✓	✓	✓				XGB200T3B	<input type="checkbox"/>	<input type="checkbox"/>
	600	3	CL. II, GR. E,F&G	✓	✓	✓	✓				XGB200T3B	<input type="checkbox"/>	<input type="checkbox"/>
22.5 (76770)	480	3	CL. I, GR. C&D;	✓	✓	✓	✓	1850 (870)	36 (20.0)	185 (84)	XGB225T3B	<input type="checkbox"/>	<input type="checkbox"/>
	600	3	CL. II, GR. E,F&G	✓	✓	✓	✓				XGB225T3B	<input type="checkbox"/>	<input type="checkbox"/>
	25 (85300)	480	3	CL. I, GR. C&D	✓	✓	✓				-	XGB250T3A	<input type="checkbox"/>
30 (102360)	480	3	CL. I, GR. C&D	✓	✓	-	-	1850 (870)	49 (27.2)	185 (84)	XGB300T2D	<input type="checkbox"/>	<input type="checkbox"/>
	600	3	CL. I, GR. C&D	✓	✓	-	-				XGB300T2D	<input type="checkbox"/>	<input type="checkbox"/>
	35 (119420)	480	3	CL. I, GR. C&D	✓	-	-				-	XGB350T2C	<input type="checkbox"/>
	600	3	CL. I, GR. C&D	✓	-	-	-	1850 (870)	57 (31.5)	185 (84)	XGB350T2C	<input type="checkbox"/>	<input type="checkbox"/>



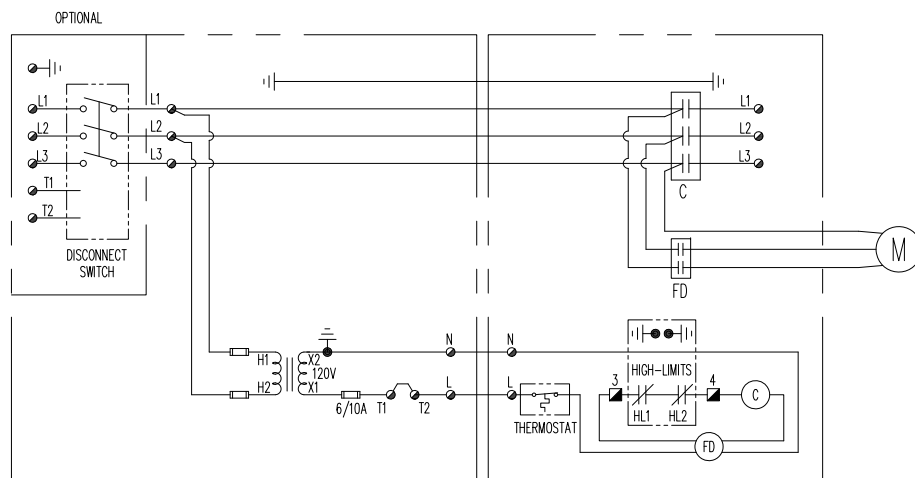
TITLE		APPROVAL DATA SHEET NORSEMAN™ EXPLOSION-RESISTANT UNIT HEATER LARGE UNIT - 10 TO 35KW	
DWG	B14600A	REV.	0
CUSTOMER		P.O.	
PROJECT			



UNIT SUPPLIED AS CHECKED

TABLE 1 - SPECIFICATIONS

KW (BTU/HR)	VOLTS	PHASE	HAZARDOUS LOCATIONS RATING	TEMP CODE				APPROX AIR FLOW CFM (litres/s)	APPROX TEMP RISE F° (C°)	APPROX WEIGHT LBS (KG)	CATALOG NO.	BASIC UNIT	WITH THERMOSTAT
				T2C	T2D	T3A	T3B						
7.5 (25590)	480 600	3	CL. I, GR. C&D	✓	✓	-	-	1850 (870)	12 (6.7)	145 (66)	XGB075T2DM	<input type="checkbox"/>	<input type="checkbox"/>
10 (34120)	208 480 600	3	CL. I, GR. C&D	✓	✓	-	-	1850 (870)	16 (9.0)	145 (66)	XGB100T2DM	<input type="checkbox"/>	<input type="checkbox"/>
15 (51180)	480 600	3	CL. I, GR. C&D; CL. II, GR. E,F&G	✓	✓	✓	✓	1850 (870)	24 (13.5)	145 (66)	XGB150T3BM	<input type="checkbox"/>	<input type="checkbox"/>
20 (68240)	480 600	3	CL. I, GR. C&D	✓	✓	-	-	1850 (870)	32 (17.8)	185 (84)	XGB225T2DM	<input type="checkbox"/>	<input type="checkbox"/>
22.5 (76770)	480 600	3	CL. I, GR. C&D	✓	✓	-	-	1850 (870)	36 (20.0)	185 (84)	XGB225T2DM	<input type="checkbox"/>	<input type="checkbox"/>
25 (85300)	480 600	3	CL. I, GR. C&D	✓	✓	✓	-	1850 (870)	41 (22.8)	185 (84)	XGB250T3AM	<input type="checkbox"/>	<input type="checkbox"/>
30 (102360)	480 600	3	CL. I, GR. C&D	✓	✓	-	-	1850 (870)	49 (27.2)	185 (84)	XGB300T2DM	<input type="checkbox"/>	<input type="checkbox"/>
35 (119420)	480 600	3	CL. I, GR. C&D	✓	-	-	-	1850 (870)	57 (31.5)	185 (84)	XGB350T2CM	<input type="checkbox"/>	<input type="checkbox"/>



SCHEMATIC WIRING DIAGRAM

ITEM NO.	CATALOG NO.	VOLTS	PHASE	KW	OPTIONAL FEATURES/ACCESSORIES

**ARCTIC DUTY FEATURES**

- Suitable for ambient temperatures: -40°C TO +40°C
- Color coded wiring
- Fused control circuit (USM3 holder)
- Stainless steel hardware
- Special side mounted housing
- EYS-216 conduit seal
- Gaskets/orings on joints
- Special supply housing brackets
- Special motor mount bracket

**STANDARD FEATURES**

- CSA C/US Certified for Class I, Groups C & D and Class II, Groups E, F & G, Divisions 1 & 2.
- Low watt density extra heavy wall tubular steel finned heating elements with nickel plated finish
- Heater can be tilted at 30° below the horizontal
- Louvred outlet provides maximum range for outlet flow direction (air can be directed almost vertically)
- Caloritech's patented *x-Max*® housing with track and trolley system simplifies installation and servicing
- Heavy duty 16 ga. stainless steel casing
- Terminals for remote thermostat connection
- Dual automatic reset high limits
- Contactor derated for extended service life
- Isolated supply connection housing eliminates the need for field installed conduit seals for many Div. 2, Zone 1 & Zone 2 installations. Consult the electrical code
- 120V control circuit voltage
- Inlet wire guard.
- Minimum clearance from floor 2440mm (96")

**MOTORS**

- 1/2 HP lubricated w/ Mobil 28 (-65°F) grease
- Explosion proof with built-in thermal overload
- Approved for Class I, Groups C & D; Class II, Groups E, F & G; T-CODE T3B
- Double shielded ball bearings
- 1725 rpm
- 1/2 hp

**THERMOSTATS**

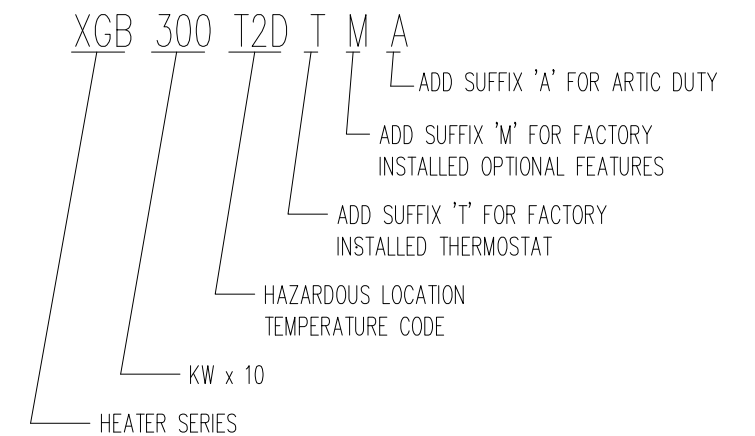
- Optional built-in externally adjustable bulb type thermostats field convertible to tamper-proof
- Optional remote mounting 'XT' model thermostat

**OPTIONAL FACTORY INSTALLED FEATURES**  
(included if checked)

- (a) Built-in, externally adjustable thermostat
- (b) Disconnect switch
- (c) Auto/off/fan switch
- (d) Pilot light

**OPTIONAL ACCESSORIES**  
(included if checked)

- (g) CM-01 ceiling mount kit
- (h) WM-01 wall mount kit
- (i) PM-01 post mount kit
- (j) FMS-01 floor stand kit



TITLE APPROVAL DATA SHEET NORSEMAN™ EXPLOSION-RESISTANT UNIT HEATER ARCTIC DUTY XGB UNIT - 7.5 TO 35KW	
DWG B15100A	REV. 2
CUSTOMER	P.O.
PROJECT	