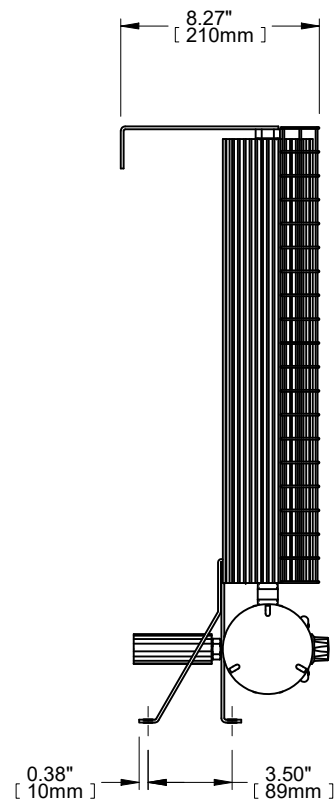
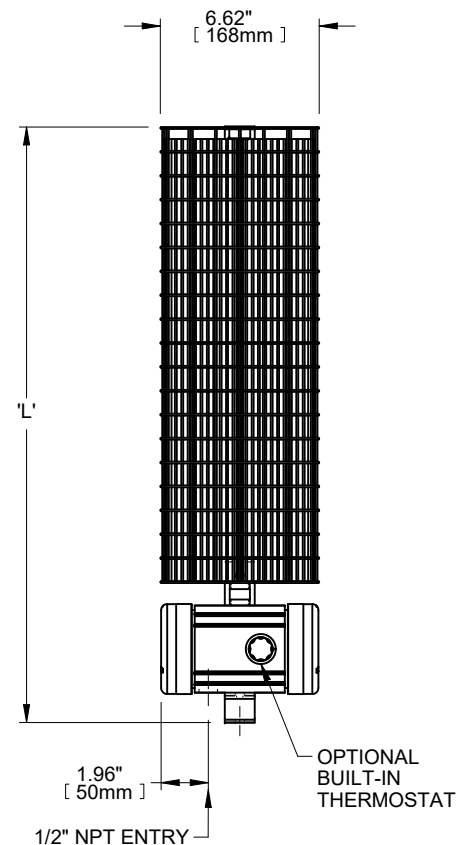


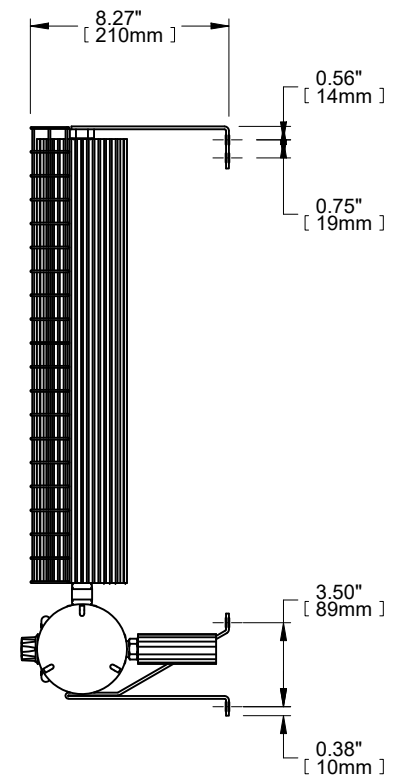
TABLE 1 - SPECIFICATIONS								
WATTS	VOLTS	PHASE	'L' DIM.	APPROX WEIGHT	CATALOG No.	BASIC UNIT	WITH THERMOSTAT	
50	120	1	10.0" (254mm)	10lbs (4.5Kg)	XB1-1005T4A11	<input type="checkbox"/>	<input type="checkbox"/>	
100	120				XB1-1010T3C11	<input type="checkbox"/>	<input type="checkbox"/>	
175	120				XB1-1017T3C11	<input type="checkbox"/>	<input type="checkbox"/>	
200	120		XB1-6020T4A11	30.1" (765mm)	25lbs (11.3Kg)	XB1-6020T4A11	<input type="checkbox"/>	<input type="checkbox"/>
	208		XB1-6020T4A11			<input type="checkbox"/>	<input type="checkbox"/>	
	240		XB1-6020T4A11			<input type="checkbox"/>	<input type="checkbox"/>	
300	120		XB1-1030T311	10.0" (254mm)	10lbs (4.5Kg)	XB1-1030T311	<input type="checkbox"/>	<input type="checkbox"/>
450	120		XB1-6045T3C11	30.1" (765mm)	25lbs (11.3Kg)	XB1-6045T3C11	<input type="checkbox"/>	<input type="checkbox"/>
	208		XB1-6045T3C11			<input type="checkbox"/>	<input type="checkbox"/>	
	240		XB1-6045T3C11			<input type="checkbox"/>	<input type="checkbox"/>	
	480		XB1-6045T3C11			<input type="checkbox"/>	<input type="checkbox"/>	
	600		XB1-6045T3C11			<input type="checkbox"/>	<input type="checkbox"/>	
475	120	XB1-3047T311	16.7" (424mm)	15lbs (6.8Kg)	XB1-3047T311	<input type="checkbox"/>	<input type="checkbox"/>	
	208	XB1-3047T311			<input type="checkbox"/>	<input type="checkbox"/>		
	240	XB1-3047T311			<input type="checkbox"/>	<input type="checkbox"/>		



FLOOR MOUNTED



HEATER ASSEMBLY



WALL MOUNTED

**STANDARD FEATURES**

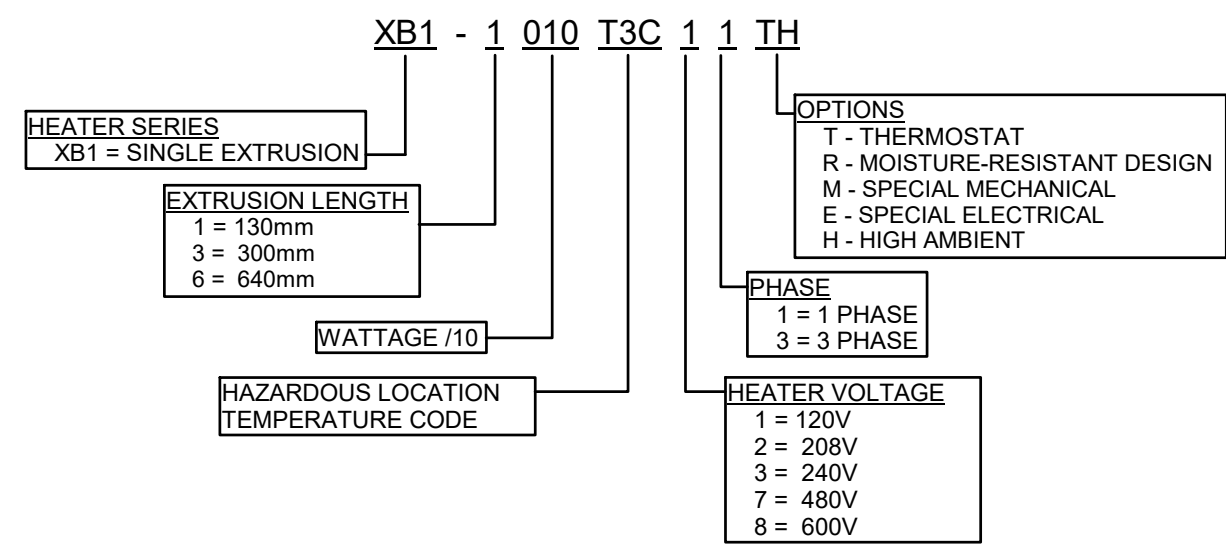
- SUITABLE FOR CLASS I, GROUPS A, B, C & D; SOME MODELS AVAILABLE WITH CLASS I, GROUPS A, B, C & D, CLASS II, GROUPS E, F & G, CLASS III (DEPENDING ON TEMPERATURE CODE).
- SUITABLE FOR TEMPERATURE CODES T3, T3C OR T4A DEPENDING ON UNIT SPECIFIED.
- HIGH SURFACE AREA BLACK ANODIZED HEAT EMITTER WITH INTEGRAL TUBULAR HEATING ELEMENTS.
- PATENTED X-MAX HOUSING WITH SLIDE OUT TERMINAL BLOCK TROLLEY SIMPLIFIES INSTALLATION AND SERVICING.
- NICKEL PLATED WIRE GUARDS ON ALL MODELS.
- 304SS UNIVERSAL SUPPORT LEG FOR WALL OR FLOOR MOUNTING.
- MAXIMUM AMBIENT OPERATING TEMPERATURE: 70°C / 158°F

**THERMOSTAT**

- OPTIONAL BUILT-IN, EXTERNALLY ADJUSTABLE, BULB TYPE THERMOSTAT. FIELD CONVERTIBLE TO TAMPER-PROOF.

**OPTIONAL ACCESSORIES**  
(INCLUDED IF CHECKED)

- (A) BUILT-IN, EXTERNALLY ADJUSTABLE THERMOSTAT.
- (B) REMOTE MOUNTING 'XT' MODEL THERMOSTAT.



REV.	REVISION DESCRIPTION	DATE	BY
TITLE: XB1 SERIES HEATER, HIGH AMBIENT			
DWG NO.: 52159-B SHEET: 1 OF 1		TOLERANCE UNLESS NOTED OTHERWISE	
PART NO.: SEE TABLE		± 1/2" ANGULAR	± 0.04" DECIMAL
SCALE: 1:8		± 1/16" FRACTIONAL	± 1 mm METRIC
DRN BY: nsanchez		11 Jan 2018	
CHKD BY: LB			
APPD. BY:			



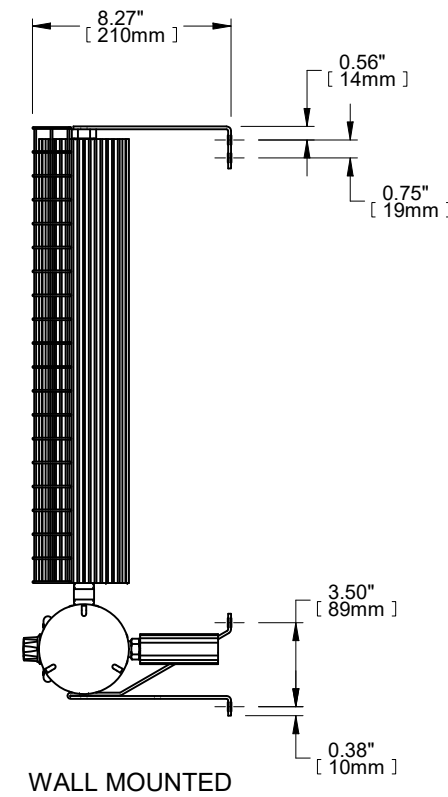
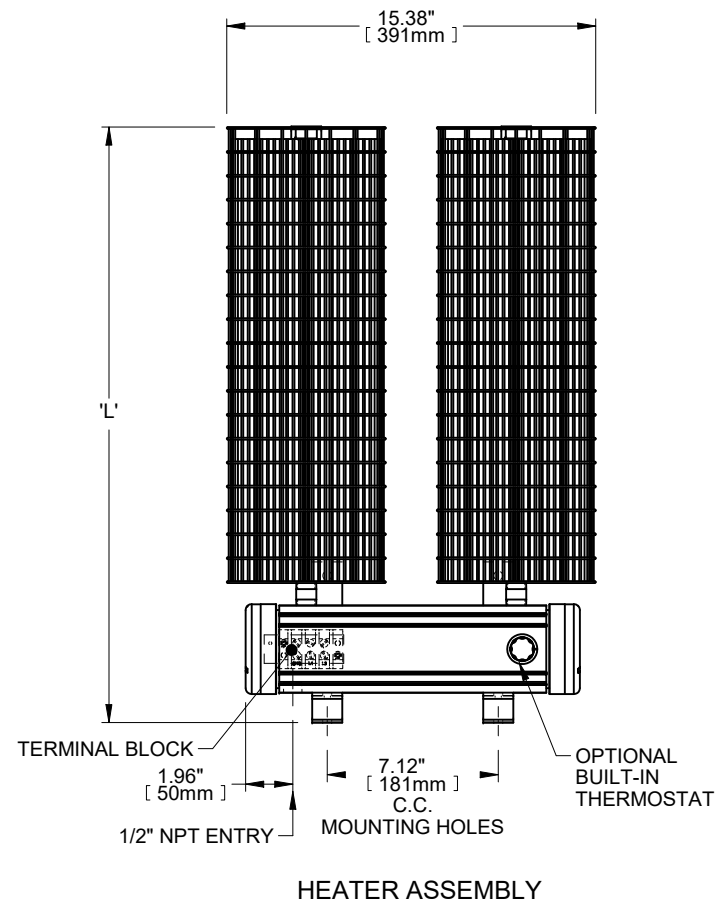
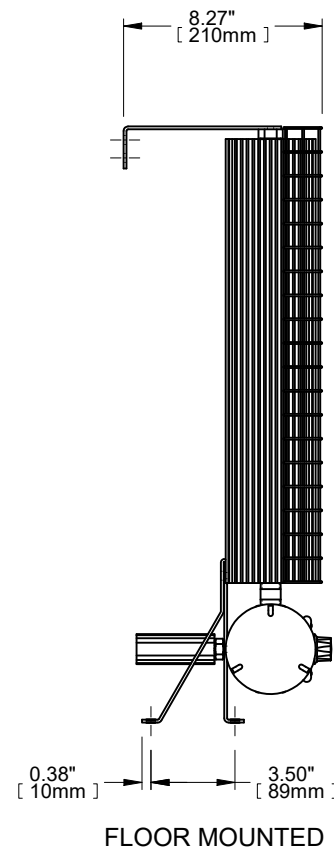


TABLE 1 - SPECIFICATIONS							
WATTS	VOLTS	PHASE	'L' DIM.	APPROX WEIGHT	CATALOG No.	BASIC UNIT	WITH THERMOSTAT
400	120	1	30.1" (765mm)	50lbs (22.7 Kg)	XB2-6040T4A1	<input type="checkbox"/>	<input type="checkbox"/>
	208	1 or 3			XB2-6040T4A2	<input type="checkbox"/>	<input type="checkbox"/>
	240				XB2-6040T4A3	<input type="checkbox"/>	<input type="checkbox"/>
850	120	1			XB2-6085T3C1	<input type="checkbox"/>	<input type="checkbox"/>
	208				XB2-6085T3C2	<input type="checkbox"/>	<input type="checkbox"/>
	240				XB2-6085T3C3	<input type="checkbox"/>	<input type="checkbox"/>
	480		XB2-6085T3C7	<input type="checkbox"/>	<input type="checkbox"/>		
1000	600	1 or 3	XB2-6085T3C8	<input type="checkbox"/>	<input type="checkbox"/>		
	120		XB2-4100T31	<input type="checkbox"/>	<input type="checkbox"/>		
	208		XB2-4100T32	<input type="checkbox"/>	<input type="checkbox"/>		
1500	240	1 or 3	XB2-4100T33	<input type="checkbox"/>	<input type="checkbox"/>		
	480		XB2-6150T31	<input type="checkbox"/>	<input type="checkbox"/>		
	600		XB2-6150T32	<input type="checkbox"/>	<input type="checkbox"/>		
			XB2-6150T33	<input type="checkbox"/>	<input type="checkbox"/>		
			XB2-6150T37	<input type="checkbox"/>	<input type="checkbox"/>		
			XB2-6150T38	<input type="checkbox"/>	<input type="checkbox"/>		

**STANDARD FEATURES**

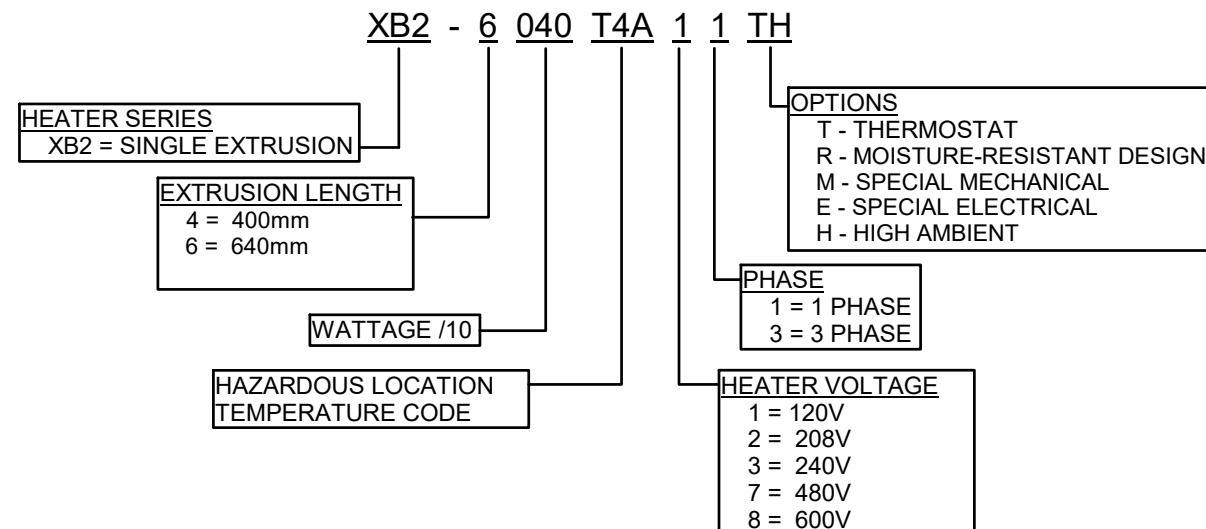
- SUITABLE FOR CLASS I, GROUPS A, B, C & D; SOME MODELS AVAILABLE WITH CLASS I, GROUPS A, B, C & D, CLASS II, GROUPS E, F & D, CLASS III (DEPENDING ON TEMPURATURE CODE).
- SUITABLE FOR TEMPURATURE CODES T3, T3C OR T4A DEPENDING ON UNIT SPECIFIED.
- HIGH SURFACE AREA BLACK ANODIZED HEAT EMITTER WITH INTEGRAL TUBULAR HEATING ELEMENTS.
- PATENTED X-MAX HOUSING WTH SLIDE OUT TERMINAL BLOCK TROLLEY SIMPLIFIES INSTALLATION AND SERVICING.
- NICKEL PLATED WIRE GUARDS ON ALL MODELS.
- 304SS UNIVERSAL SUPPORT LEG FOR WALL OR FLOOR MOUNTING.
- MAXIMUM AMBIENT OPERATING TEMPERATURE: 70°C / 158°F

**THERMOSTAT**

- OPTIONAL BUILT-IN, EXTERNALLY ADJUSTABLE, BULB TYPE THERMOSTAT. FIELD CONVERTIBLE TO TAMPER-PROOF.

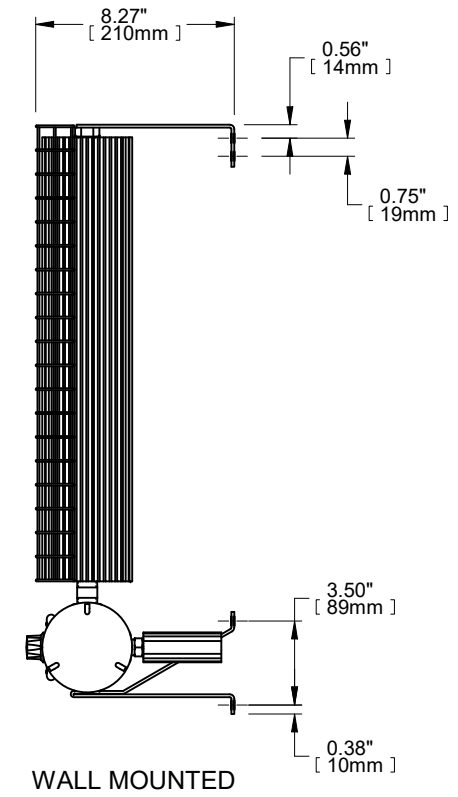
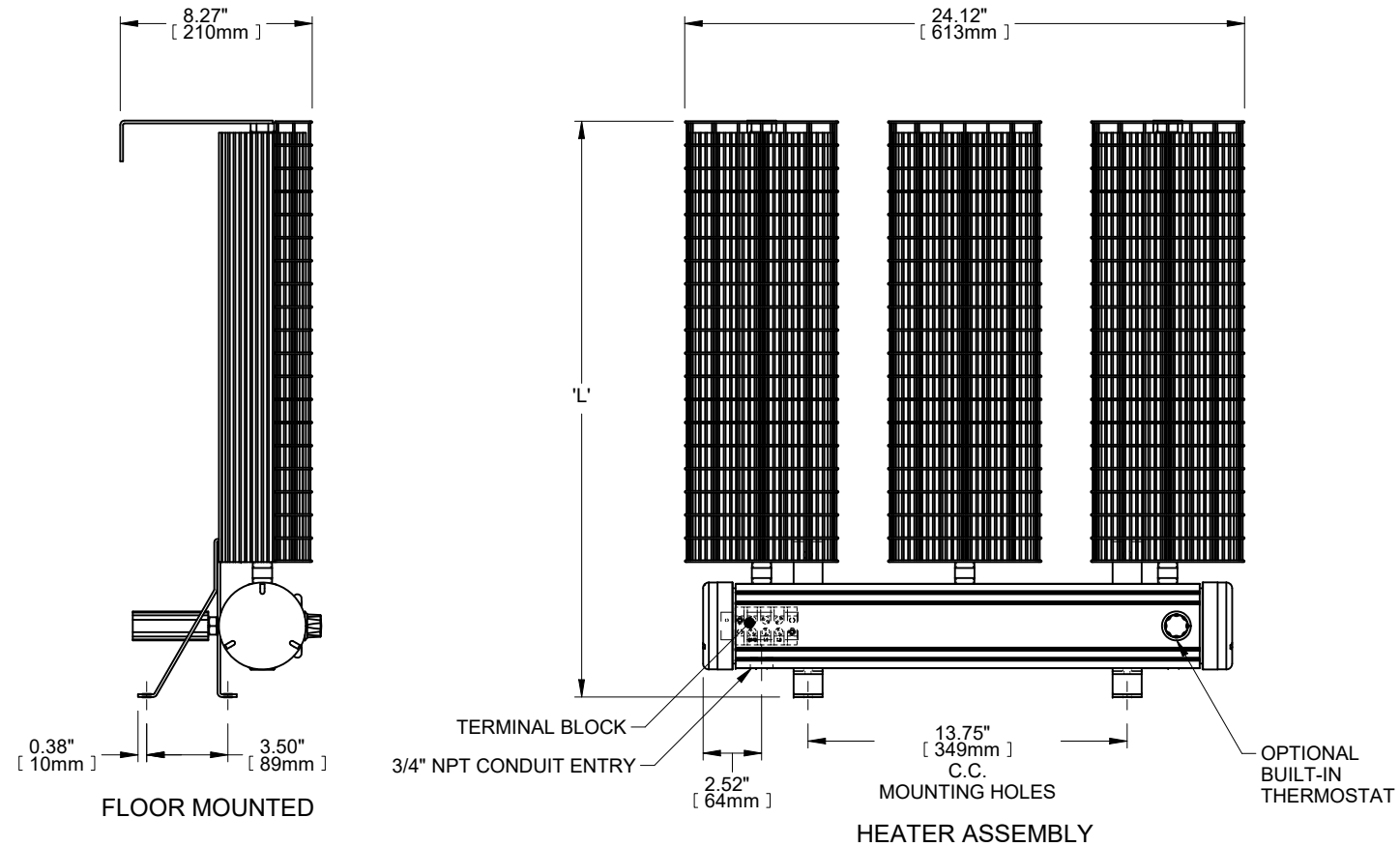
**OPTIONAL ACCESSORIES (INCLUDED IF CHECKED)**

- (A) BUILT-IN, EXTERNALLY ADJUSTABLE THERMOSTAT.
- (B) REMOTE MOUNTING 'XT' MODEL THERMOSTAT.



REV.	REVISION DESCRIPTION	DATE	BY
TITLE: XB2 SERIES HEATER, HIGH AMBIENT			
DWG NO.: 52160-B SHEET: 1 OF 1		TOLERANCE UNLESS NOTED OTHERWISE	
PART NO.: SEE TABLE		± 1/2" ANGULAR	± 0.04" DECIMAL
SCALE: 1:8		± 1/16" FRACTIONAL	± 1 mm METRIC
DRN BY: nsanchez		11 Jan 2018	
CHK'D BY: LB			
APP'D. BY:			





WATTS	VOLTS	PHASE	'L' DIM.	APPROX WEIGHT	CATALOG No.	BASIC UNIT	WITH THERMOSTAT
600	120	1	30.1" (765mm)	75 lbs (34.0 Kg)	XB3-6060T41	<input type="checkbox"/>	<input type="checkbox"/>
	208	1 or 3			XB3-6060T4A2	<input type="checkbox"/>	<input type="checkbox"/>
	240				XB3-6060T4A3	<input type="checkbox"/>	<input type="checkbox"/>
1000	120	1	16.7" (424mm)	45 lbs (20.4 Kg)	XB3-3100T31	<input type="checkbox"/>	<input type="checkbox"/>
	208	1 or 3			XB3-3100T32	<input type="checkbox"/>	<input type="checkbox"/>
	240				XB3-3100T33	<input type="checkbox"/>	<input type="checkbox"/>
	480	3			XB3-3100T37	<input type="checkbox"/>	<input type="checkbox"/>
1250	120	1	30.1" (765mm)	75 lbs (34.0 Kg)	XB3-6125T3C1	<input type="checkbox"/>	<input type="checkbox"/>
	208	1 or 3			XB3-6125T3C2	<input type="checkbox"/>	<input type="checkbox"/>
	240				XB3-6125T3C3	<input type="checkbox"/>	<input type="checkbox"/>
	480				XB3-6125T3C7	<input type="checkbox"/>	<input type="checkbox"/>
	600				XB3-6125T3C8	<input type="checkbox"/>	<input type="checkbox"/>
1500	120	1	23.4" (594mm)	60 lbs (27.2 Kg)	XB3-4150T31	<input type="checkbox"/>	<input type="checkbox"/>
	208	1 or 3			XB3-4150T32	<input type="checkbox"/>	<input type="checkbox"/>
	240				XB3-4150T33	<input type="checkbox"/>	<input type="checkbox"/>
	480	3			XB3-4150T37	<input type="checkbox"/>	<input type="checkbox"/>
	600	1 or 3			XB3-4150T38	<input type="checkbox"/>	<input type="checkbox"/>
2250	120	1	30.1" (765mm)	75 lbs (34.0 Kg)	XB3-6225T31	<input type="checkbox"/>	<input type="checkbox"/>
	208	1 or 3			XB3-6225T32	<input type="checkbox"/>	<input type="checkbox"/>
	240				XB3-6225T33	<input type="checkbox"/>	<input type="checkbox"/>
	480	3			XB3-6225T37	<input type="checkbox"/>	<input type="checkbox"/>
	600	1 or 3			XB3-6225T38	<input type="checkbox"/>	<input type="checkbox"/>

**STANDARD FEATURES**

- SUITABLE FOR CLASS I, GROUPS A, B, C & D; SOME MODELS AVAILABLE WITH CLASS I, GROUPS A, B, C & D, CLASS II, GROUPS E, F & D, CLASS III (DEPENDING ON TEMPERATURE CODE).
- SUITABLE FOR TEMPERATURE CODES T3, T3C, OR T4A DEPENDING ON UNIT SPECIFIED.
- HIGH SURFACE AREA BLACK ANODIZED HEAT EMITTER WITH INTEGRAL TUBULAR HEATING ELEMENTS.
- PATENTED X-MAX HOUSING WITH SLIDE OUT TERMINAL BLOCK TROLLEY SIMPLIFIES INSTALLATION AND SERVICING.
- NICKEL PLATED WIRE GUARDS ON ALL MODELS.
- 304SS UNIVERSAL SUPPORT LEG FOR WALL OR FLOOR MOUNTING.
- MAXIMUM AMBIENT OPERATING TEMPERATURE: 70°C / 158°F

**THERMOSTAT**

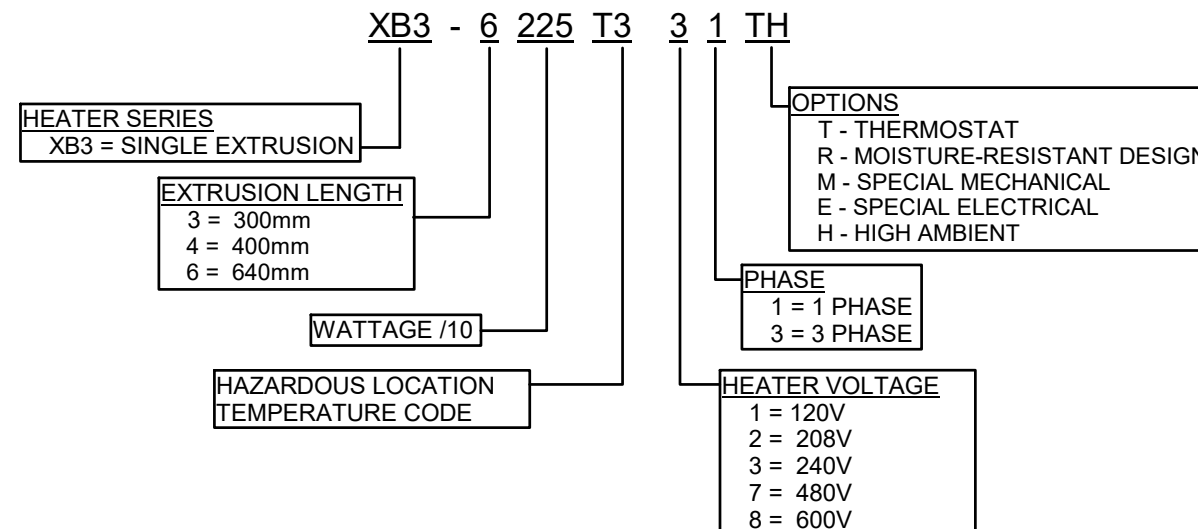
- OPTIONAL BUILT-IN, EXTERNALLY ADJUSTABLE, BULB TYPE THERMOSTAT. FIELD CONVERTIBLE TO TAMPER-PROOF.

**OPTIONAL ACCESSORIES**

(INCLUDED IF CHECKED)

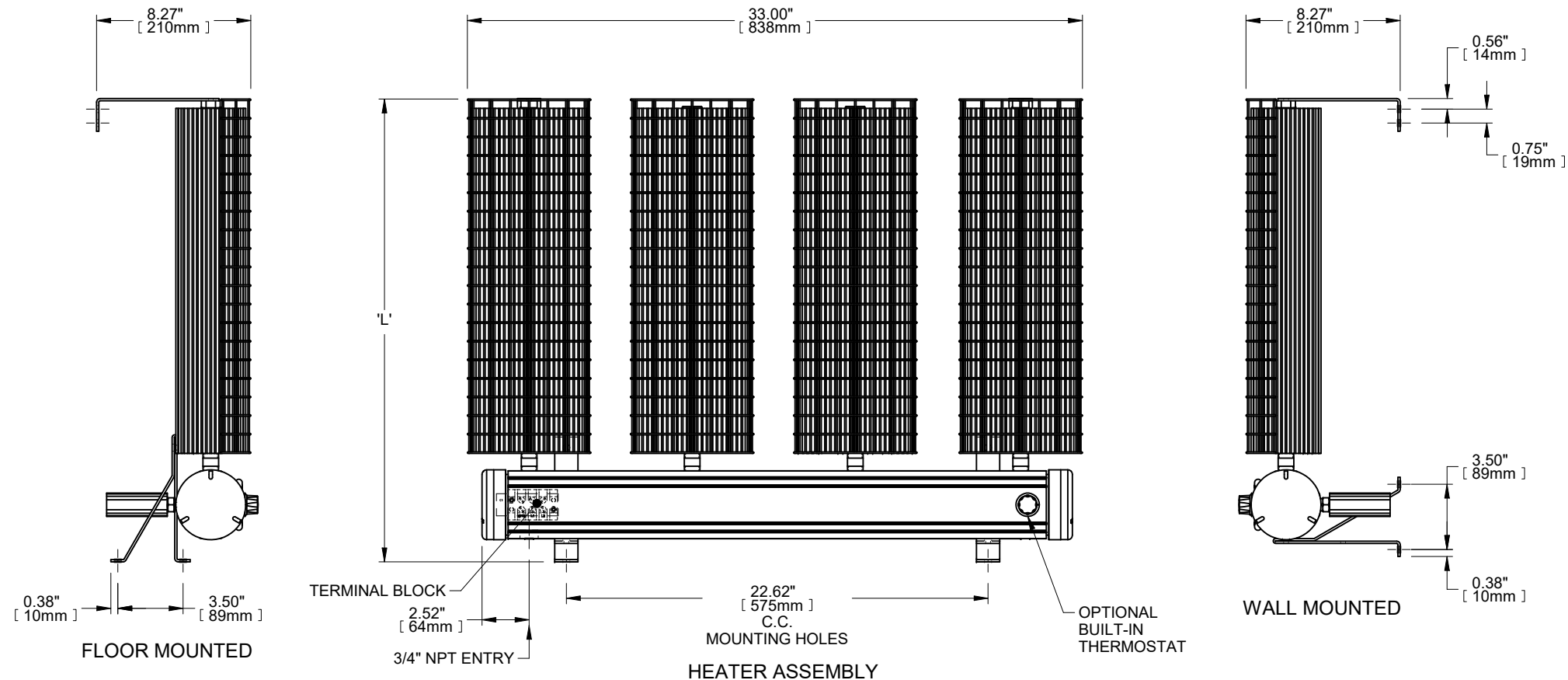
(A) BUILT-IN, EXTERNALLY ADJUSTABLE THERMOSTAT.

(B) REMOTE MOUNTING 'XT' MODEL THERMOSTAT.



REV.	REVISION DESCRIPTION	DATE	BY
TITLE: <b>XB3 SERIES HEATER, HIGH AMBIENT</b>			
DWG NO.: 52161-B SHEET: 1 OF 1		TOLERANCE UNLESS NOTED OTHERWISE	
PART NO.: SEE TABLE		± 1/2" ANGULAR	± 0.04" DECIMAL
SCALE: 1:8		± 1/16" FRACTIONAL	± 1 mm METRIC
DRN BY: nsanchez		11 Jan 2018	
CHK'D BY: LB			
APP'D. BY:			





WATTS	VOLTS	PHASE	'L' DIM.	APPROX WEIGHT	CATALOG No.	BASIC UNIT	WITH THERMOSTAT
800	120	1	30.1" (765mm)	100lbs (45.4 Kg)	XB4-6080T4A1	<input type="checkbox"/>	<input type="checkbox"/>
	208	1 or 3			XB4-6080T4A2	<input type="checkbox"/>	<input type="checkbox"/>
	240				XB4-6080T4A3	<input type="checkbox"/>	<input type="checkbox"/>
1600	120	1			XB4-6160T3C1	<input type="checkbox"/>	<input type="checkbox"/>
	208	1 or 3			XB4-6160T3C2	<input type="checkbox"/>	<input type="checkbox"/>
	240				XB4-6160T3C3	<input type="checkbox"/>	<input type="checkbox"/>
	480		XB4-6160T3C7	<input type="checkbox"/>	<input type="checkbox"/>		
2250	600	1	XB4-6160T3C8	<input type="checkbox"/>	<input type="checkbox"/>		
	120	1 or 3	XB4-4225T31	<input type="checkbox"/>	<input type="checkbox"/>		
	208		XB4-4225T32	<input type="checkbox"/>	<input type="checkbox"/>		
240	XB4-4225T33		<input type="checkbox"/>	<input type="checkbox"/>			
3000	120	1	30.1" (765mm)	100lbs (45.4 Kg)	XB4-6300T31	<input type="checkbox"/>	<input type="checkbox"/>
	208	1 or 3			XB4-6300T32	<input type="checkbox"/>	<input type="checkbox"/>
	240				XB4-6300T33	<input type="checkbox"/>	<input type="checkbox"/>
	480				XB4-6300T37	<input type="checkbox"/>	<input type="checkbox"/>
	600				XB4-6300T38	<input type="checkbox"/>	<input type="checkbox"/>

**STANDARD FEATURES**

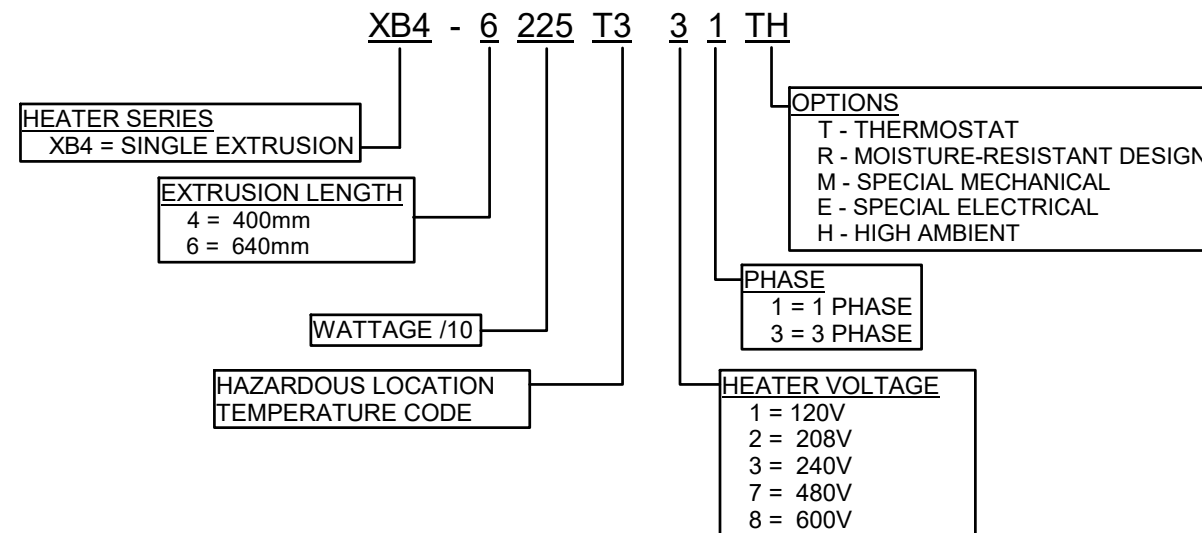
- SUITABLE FOR CLASS I, GROUPS A, B, C & D; SOME MODELS AVAILABLE WITH CLASS I, GROUPS A, B, C & D, CLASS II, GROUPS E, F & D, CLASS III (DEPENDING ON TEMPURATURE CODE).
- SUITABLE FOR TEMPURATURE CODES T3, T3C, OR T4A DEPENDING ON UNIT SPECIFIED.
- HIGH SURFACE AREA BLACK ANODIZED HEAT EMITTER WITH INTEGRAL TUBULAR HEATING ELEMENTS.
- PATENTED X-MAX HOUSING WTH SLIDE OUT TERMINAL BLOCK TROLLEY SIMPLIFIES INSTALLATION AND SERVICING.
- NICKEL PLATED WIRE GUARDS ON ALL MODELS.
- 304SS UNIVERSAL SUPPORT LEG FOR WALL OR FLOOR MOUNTING.
- MAXIMUM AMBIENT OPERATING TEMPERATURE: 70°C / 158°F

**THERMOSTAT**

- OPTIONAL BUILT-IN, EXTERNALLY ADJUSTABLE, BULB TYPE THERMOSTAT. FIELD CONVERTIBLE TO TAMPER-PROOF.

**OPTIONAL ACCESSORIES (INCLUDED IF CHECKED)**

- (A) BUILT-IN, EXTERNALLY ADJUSTABLE THERMOSTAT.
- (B) REMOTE MOUNTING 'XT' MODEL THERMOSTAT.



REV.	REVISION DESCRIPTION	DATE	BY
TITLE: <b>XB4 SERIES HEATER, HIGH AMBIENT</b>			
DWG NO.: 52162-B SHEET: 1 OF 1		TOLERANCE UNLESS NOTED OTHERWISE	
PART NO.: SEE TABLE		± 1/2" ANGULAR	± 0.04" DECIMAL
SCALE: 1:8		± 1/16" FRACTIONAL	± 1 mm METRIC
DRN BY: nsanchez		11 Jan 2018	
CHKD BY: LB			
APP'D. BY:			

