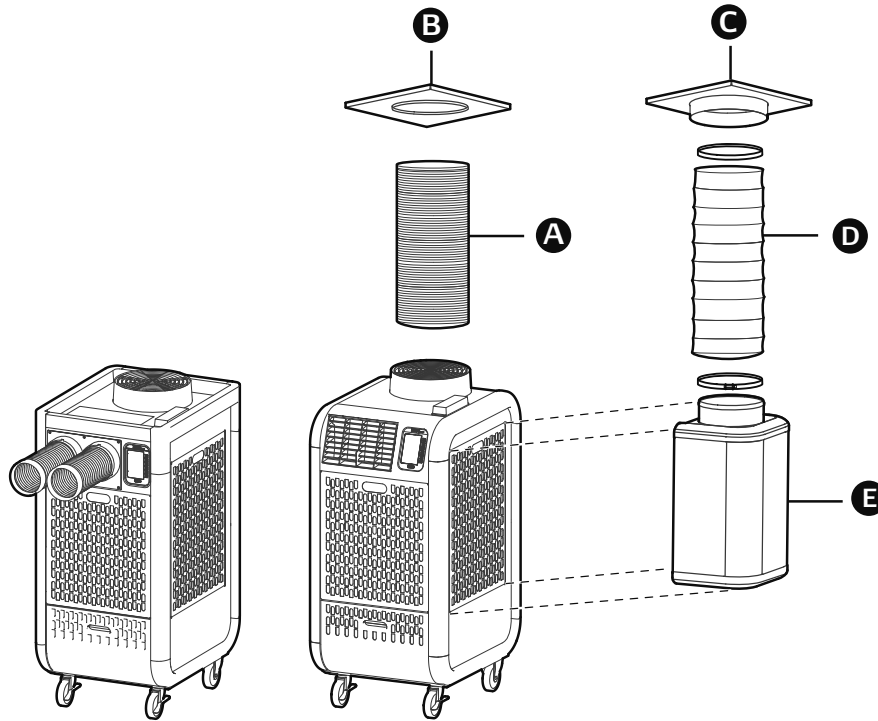


Accessory Installation Manual

484007-5020



No.	Part Name	Climate Pro X14/20/26	Climate Pro K12/18/24	Climate Pro D12/18
A	Warm Air Self-supported Duct	481744-0062	481744-0062	481744-0062
B	Ceiling Tile	LA146373-8280	LA146373-8280	LA146373-8280
C	Ceiling Tile Kit	484490-1030	484490-1030	484490-1030
D	Warm Air Flexible Duct	LAY45771-0060	LAY45771-0060	LAY45771-0060
E	Condenser Air Plenum	484350-1160 (X14/20)	484350-1160 (K12/18)	484350-1340 (D12)
		484350-1180 (X26)	484350-1170 (K24)	484350-1350 (D18)

Application	Required Accessories	Page No.
Attachment of Warm Air Self-supported Duct	A B	2
Attachment of Warm Air Flexible Duct	C D	2
Attachment of Condenser Air Plenum	E	3 - 4

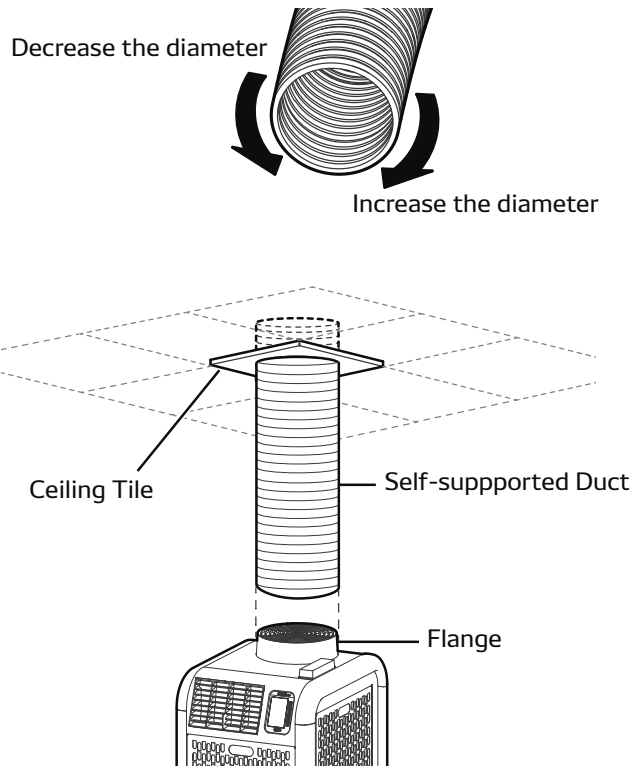
All models listed in this manual have the same installation procedure.

WARNING

Disconnect power before installation. Beware that some residual voltage may remain in the unit after the power is disconnected. There is a risk of electric shock.

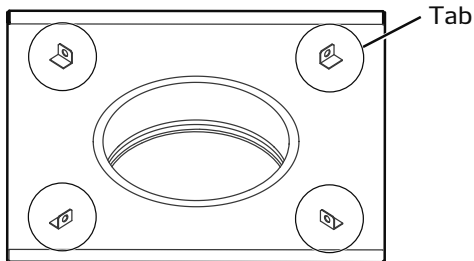
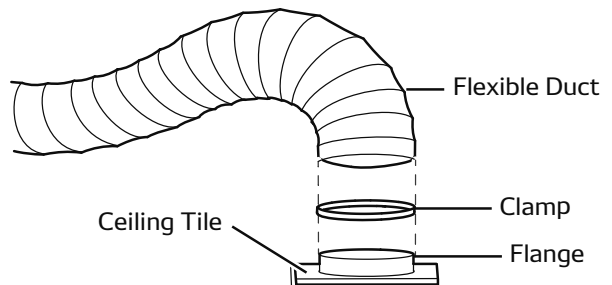
ATTACHMENT OF WARM AIR SELF-SUPPORTED DUCT

1. Remove the original ceiling tile and install the accessory ceiling tile.
2. Hold the warm air self-supported duct approximately 1 foot away from the end and decrease its diameter as shown until it can be passed through the hole in the ceiling tile.
3. Pass the duct through the hole in the ceiling tile.
4. Increase the other end of duct diameter as illustrated and place the duct over the flange on top of the unit or plenum. Decrease the duct diameter until it fits exactly over the flange.

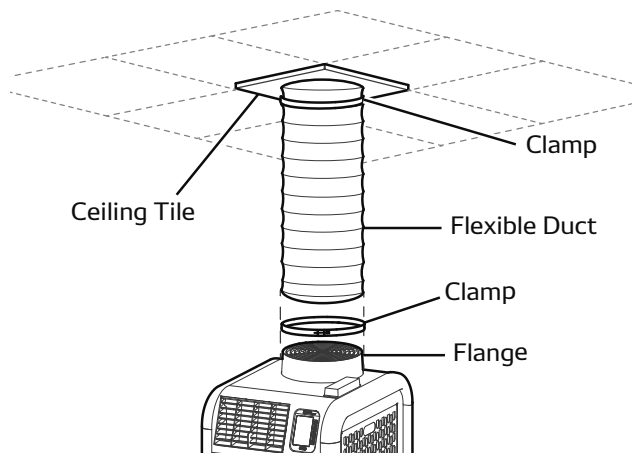


ATTACHMENT OF WARM AIR FLEXIBLE DUCT

1. Place the warm air flexible duct over the accessory ceiling tile flange and secure the duct with the clamp.
2. Remove the original ceiling tile and install the ceiling tile with duct. Use the tabs with holes to secure the tile in place in case ceiling T-bar is too narrow or weak.

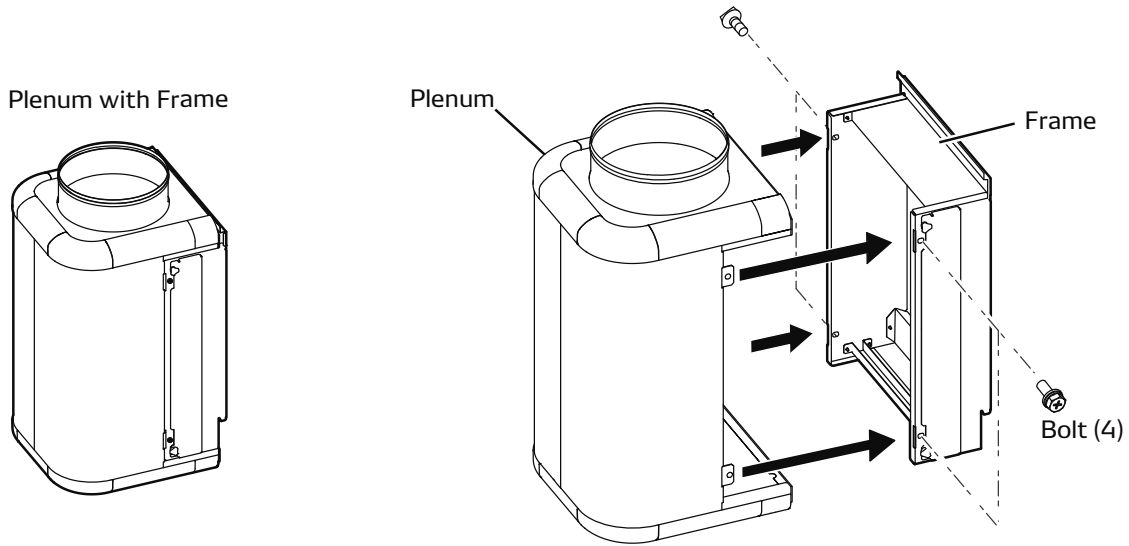


3. Place the other duct end over the flange on top of the unit or plenum. Secure the duct with the clamp.

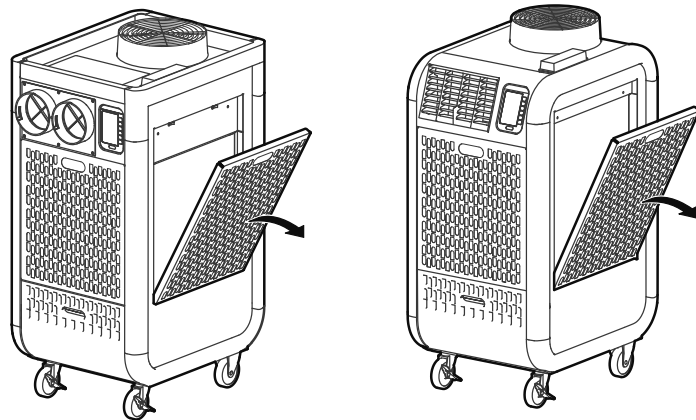


ATTACHMENT OF CONDENSER AIR PLENUM

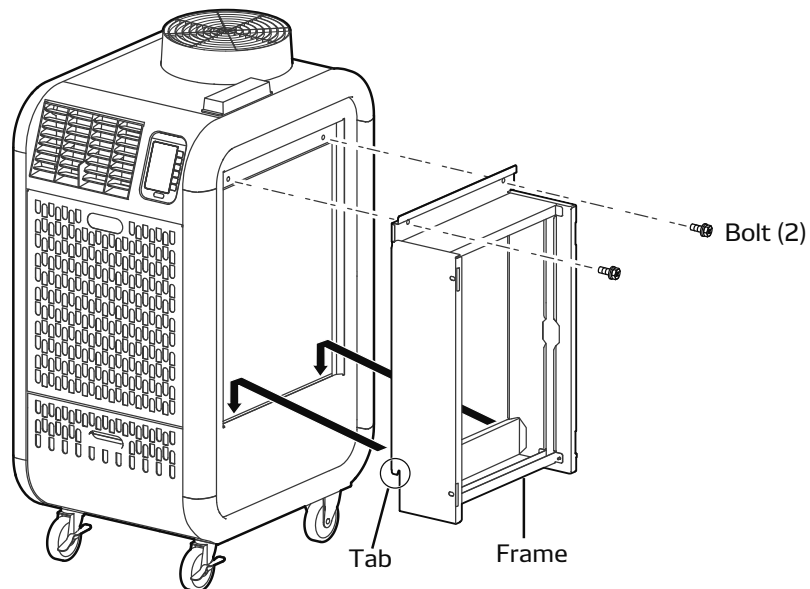
1. Separate the frame and plenum by removing the four (4) bolts.



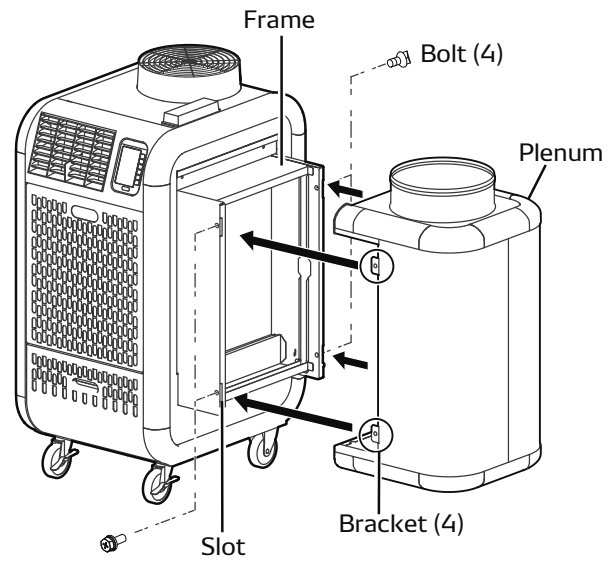
2. Remove the side filter panel.



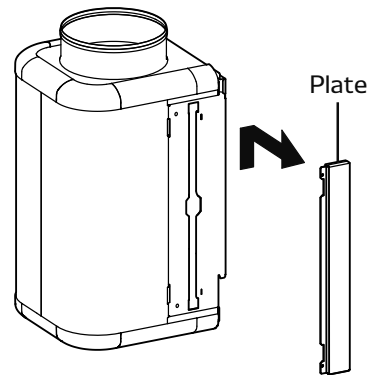
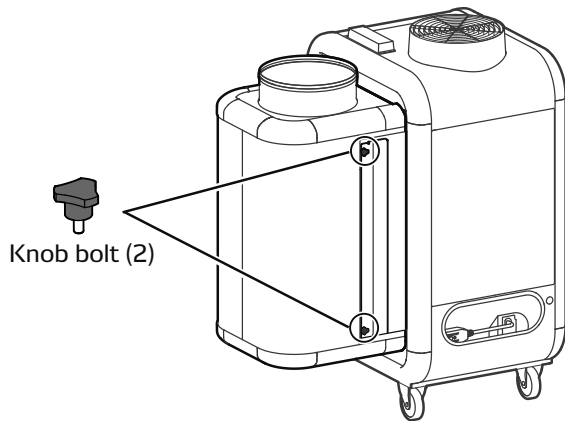
3. Attach the frame to the side of the unit by placing the tabs to the edge of the lower opening and secure the frame with the two (2) bolts supplied with the plenum.



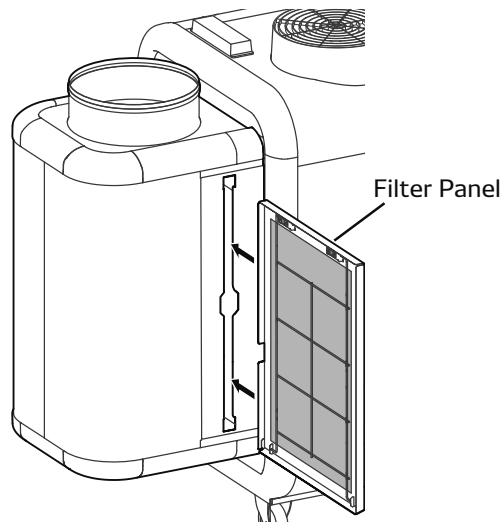
4. Insert the four (4) brackets of the plenum into the slots of the frame and secure the plenum to the frame with the four (4) bolts, which were removed in step 1 on page 3.



5. Remove the two (2) knob bolts and remove the plate from the plenum by lifting upward.



6. Insert the filter panel into the plenum as shown.



7. Reinstall the plate and secure it with the two (2) knob bolts.

⚠ CAUTION

Do not lean on the unit or move the unit when attaching the air plenum. This may cause injury or damage to the unit due to toppling.