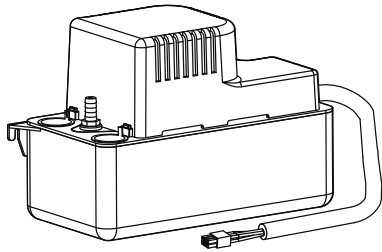
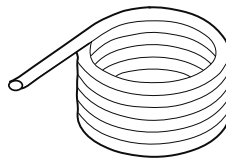


Condensate Pump Kit Installation Manual

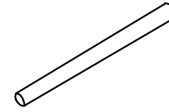
484007-5010



Condensate Pump (1)



Outlet Hose (1)
20 ft (6.0 m), $\Phi 3/8$ in (9.5 mm)



Drain Inlet Hose (1)
2 ft (0.6 m), $\Phi 1/2$ in (12 mm)



Hose Clamp (1)



Screw w/Washer (2)
M4 \times L10

Model Name	Climate Pro K36
Part No. (voltage)	484789-0240 (208/230V)

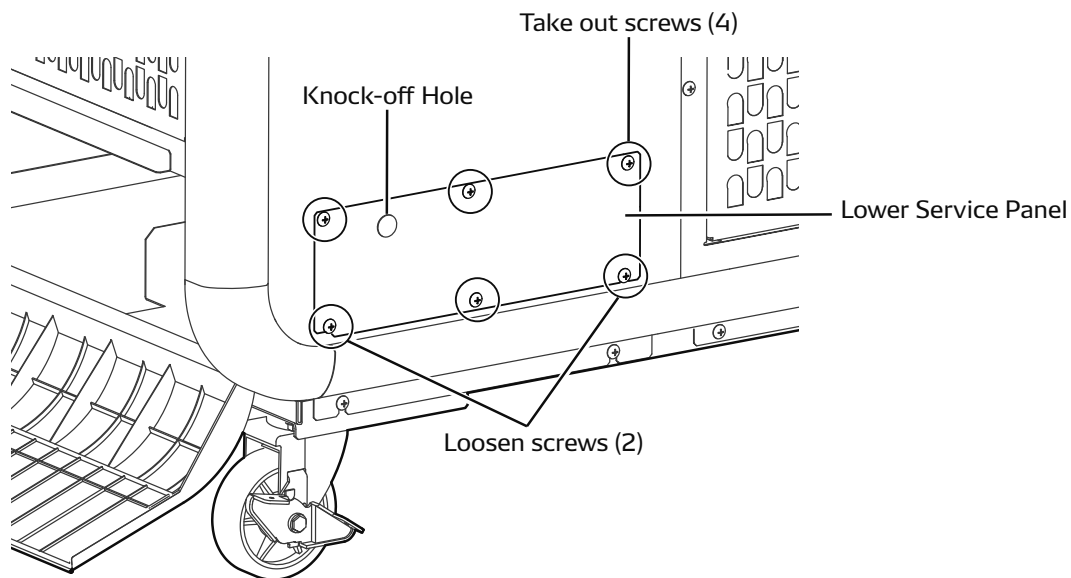
If the parts appear to be damaged or missing, contact your MovinCool dealer.

WARNING

Disconnect power before installation. Beware that some residual voltage may remain in the unit after the power is disconnected. There is a risk of electric shock.

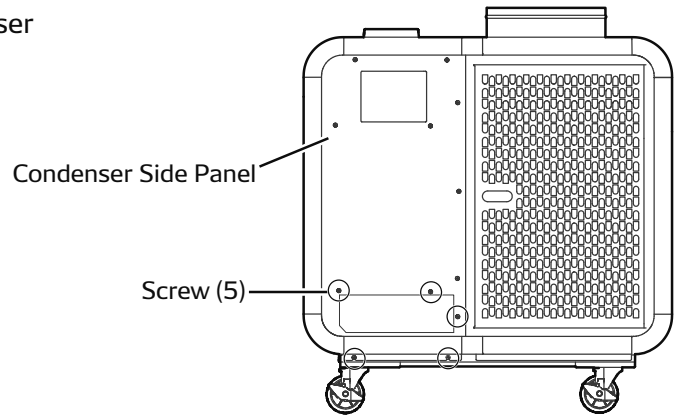
PUMP INSTALLATION

1. Open the drain tank cover and remove the tanks from the unit.
2. Loosen the two (2) screws at bottom edge and remove the other four (4) screws. Pull the lower service panel upward and remove it from the side panel.

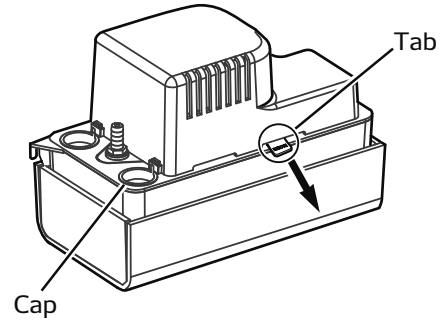


3. Punch out the knock-off hole in the lower service panel using a tool such as a screwdriver. This hole is used to pass through the outlet hose.

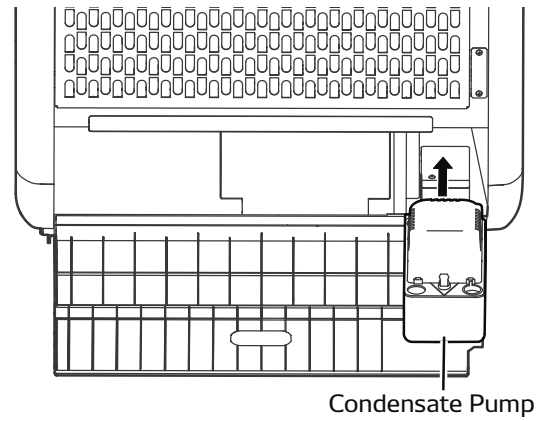
3. Remove the five (5) screws from the condenser side panel.



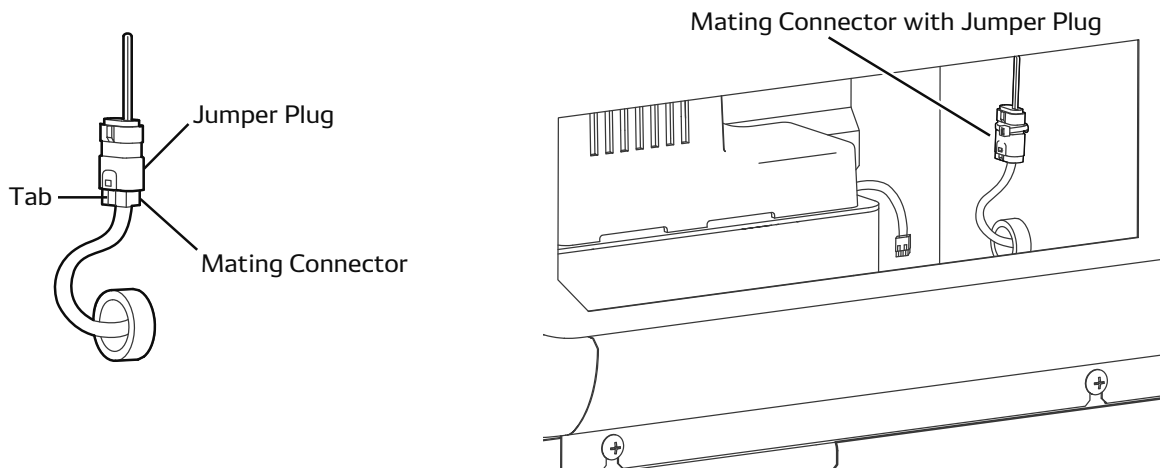
4. Remove the tab and cap as shown from the condensate pump.



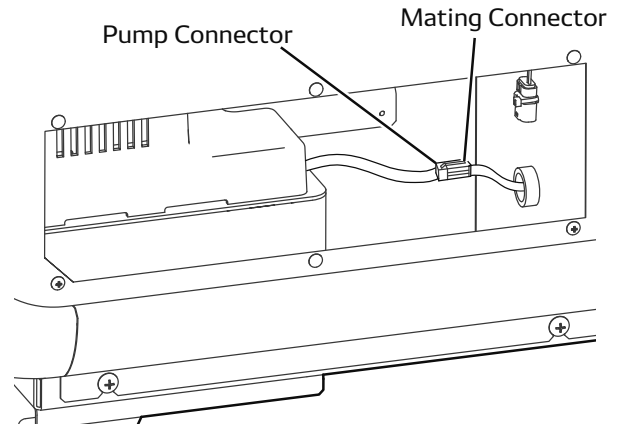
5. Place the condensate pump into the unit from the front as shown.



6. Disconnect the mating connector from the jumper plug by pressing the tab as shown.



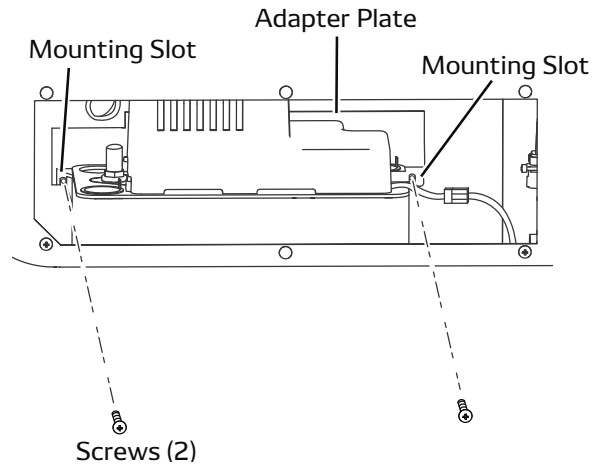
7. Connect the pump connector to the mating connector.



10. Secure the pump to the adapter plate.

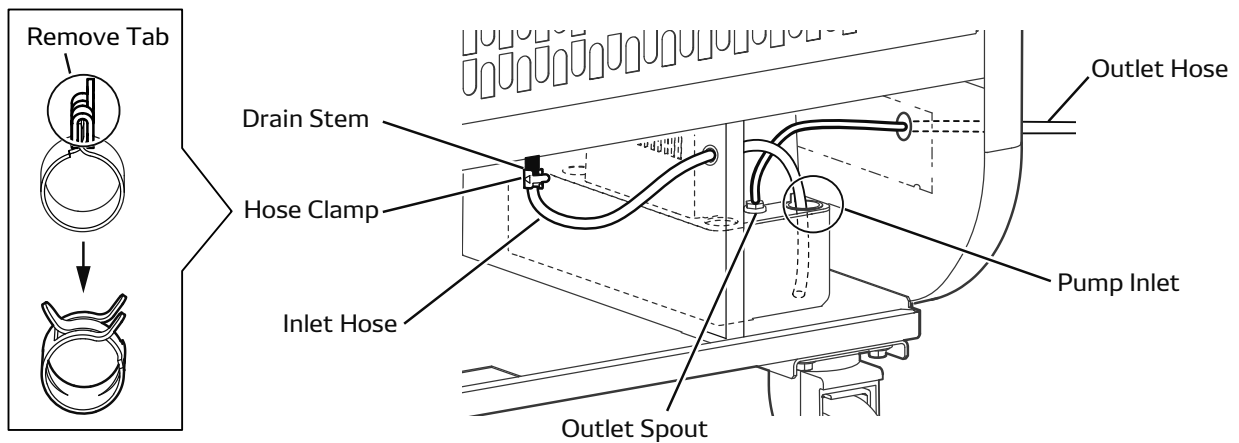
Detailed procedure is as follows:

 - a) Insert the two (2) screws into the upper holes of the adapter plate.
 - b) Slide the mounting slots of the pump over the screws.
 - c) Secure the screws.



HOSE INSTALLATION

1. Pass the hose clamp through the inlet hose. Connect one end of the inlet hose to the drain stem of the unit and secure with the hose clamp by removing the tab as shown.
2. Pass the other end of the inlet hose through the hole as shown and insert it into the pump inlet.
3. Unwind the outlet hose and connect to the drain outlet spout of the pump.
4. Pass the other end of the outlet hose through the knock-out hole in the lower service panel.
5. Reinstall the lower service panel to the unit.



6. Secure the five (5) screws on the condenser side panel, which were removed in procedure 3 on page 2.

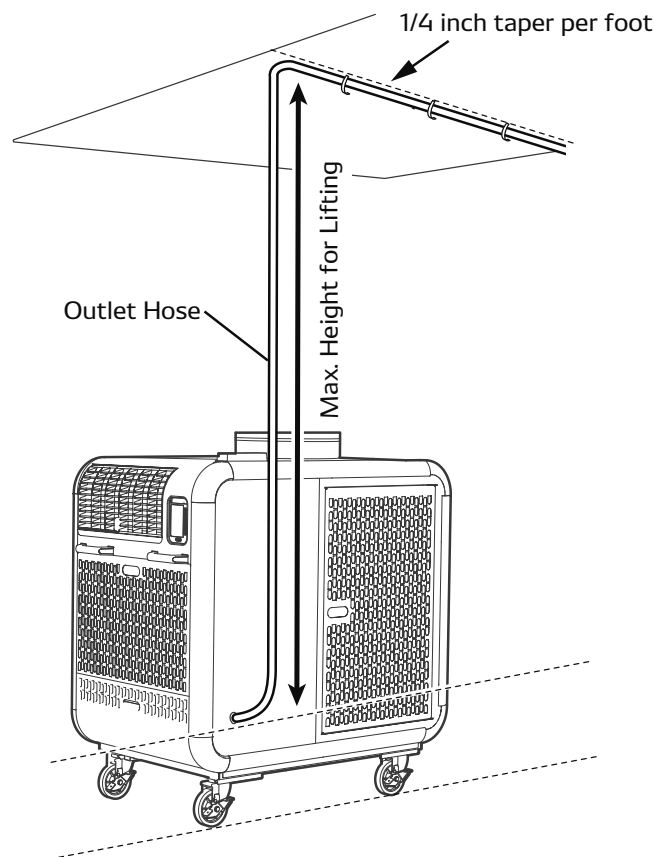
CAUTION

Ensure smooth drainage through the hose. If the hose is kinked or clogged, it may cause malfunction and property damage due to water leaks.

When hanging the hose from the ceiling, the maximum height for lifting the hose vertically depends on the voltage that the unit uses.

Check the maximum hose height in the table below. Run the drain hose on a downward slope at a minimum rate of 1/4 inch(6.25mm) per foot.

Voltage	Max. height for lifting
230 VAC	17 feet (5.2 m)
208 VAC	13 feet (4.0 m)



TESTING

1. Turn the unit on.
2. Take out the end of the inlet hose from the inlet hole.
3. Pour water into the pump reservoir from the inlet hole.
4. Make sure that the pump starts running and water is drained through the outlet hose.
5. Reinsert the end of the inlet hose into the inlet hole.