

## INSTALLATION AND SERVICE MANUAL low temperature hot water unit heaters



**Model HCH Horizontal Delivery Side  
Inlet/Outlet**



Motors are designed for continuous duty. They can operate in a maximum ambient temperature of 104°F (40°C).

The model number of each unit heater indicates its rated Btu/Hr. capacity/1000 entering air temperature. For example an HCH 67 has an output of 67,000 Btu/Hr. at 140°F entering water temperature and 60° entering air temperature.



### **CAUTION**

A qualified installation and service agency must perform all installation and service of these appliances, and the use of this manual is solely and specifically intended for that purpose.

### **Inspection On Arrival**

1. Inspect unit upon arrival. In case of damage, report it immediately to transportation company and your local factory sales representative.
2. Check rating plate on unit to verify that power supply meets available electric power at point of installation.
3. Inspect unit received for conformance with description of product ordered (including specifications where applicable).

### **General Information**

Installation and service instructions in this manual are applicable to the low temperature hot water unit heaters which should be installed in their proper applications for their most effective function as overhead heating units.

The copper coils are warranted for operation at hot water pressures up to 150 lbs. per sq. in. gauge, and or temperatures up to 180°F. Canadian Standards Association (CSA) requirements state that explosion-proof units may not be used with a fluid temperature in excess of 329°F and still maintain their explosion-proof rating, for national electric code ignition temperature rating T3B for grain dust.

# SPECIAL PRECAUTIONS / TABLE OF CONTENTS / SI (METRIC) CONVERSION FACTORS

## SPECIAL PRECAUTIONS

THE INSTALLATION AND MAINTENANCE INSTRUCTIONS IN THIS MANUAL MUST BE FOLLOWED TO PROVIDE SAFE, EFFICIENT AND TROUBLE-FREE OPERATION. IN ADDITION, PARTICULAR CARE MUST BE EXERCISED REGARDING THE SPECIAL PRECAUTIONS LISTED BELOW. FAILURE TO PROPERLY ADDRESS THESE CRITICAL AREAS COULD RESULT IN PROPERTY DAMAGE OR LOSS, PERSONAL INJURY, OR DEATH. THESE INSTRUCTIONS ARE SUBJECT TO ANY MORE RESTRICTIVE LOCAL OR NATIONAL CODES.

## HAZARD INTENSITY LEVELS

- DANGER:** Indicates an imminently hazardous situation which, if not avoided, WILL result in death or serious injury.
- WARNING:** Indicates a potentially hazardous situation which, if not avoided, COULD result in death or serious injury.
- CAUTION:** Indicates a potentially hazardous situation which, if not avoided, MAY result in minor or moderate injury.
- IMPORTANT:** Indicates a situation which, if not avoided, MAY result in a potential safety concern.

**! DANGER**

Appliances with power codes 01, 02, 04, 05, and 10 must not be installed where they may be exposed to a potentially explosive or flammable atmosphere.

**! WARNING**

- Disconnect power supply before making wiring connections to prevent electrical shock and equipment damage.
- All appliances must be wired strictly in accordance with wiring diagram furnished with the appliance. Any wiring different from the wiring diagram could result in a hazard to persons and property.
- Any original factory wiring that requires replacement must be replaced with wiring material having a temperature rating of at least 105°C.
- When servicing or repairing this equipment, use only factory-approved service replacement parts. A complete replacement parts list may be obtained by contacting Modine Manufacturing Company. Refer to the rating plate on the appliance for complete appliance model number, serial number, and company address. Any substitution of parts or controls not approved by Modine will be at the owner's risk.

**! CAUTION**

- A finger-proof fan guard is required for installations where the bottom of the unit is less than 8ft from the floor.
- A qualified installation and service agency must perform all installation and service of these appliances, and the use of this manual is solely and specifically intended for that purpose.
- Do not reuse any electrical component which has been wet. Replace component.
- Ensure that the supply voltage is within +10% and -5% from rated voltage listed on the nameplate.
- Heaters are designed for use in heating applications with ambient temperatures between 0°F and 100°F in hot water applications.

**IMPORTANT**

- This appliance is not intended for use by persons (including children) with reduced physical, sensory or mental capabilities, or lack of experience and knowledge, unless they have been given supervision or instruction concerning use of the appliance by a person responsible for their safety. Children should be supervised to ensure that they do not play with the appliance.
- Start-up and adjustment procedures must be performed by a qualified service agency.
- To check most of the Possible Remedies in the troubleshooting guide listed in Table 11.1, refer to the applicable sections of the manual.

## Table of Contents

General Information.....	1
Special Precautions.....	2
SI (Metric) Conversion Factors.....	2
Unit Location.....	3
Unit Mounting .....	3-4
Performance Data .....	5-6
Dimensional Data .....	6
Unit Suspension .....	7
Installation .....	8
Piping.....	8
Electrical Connections .....	8
Operation.....	8
Prior to Operation.....	8
Initial Start-up.....	8
Automatic Control Operations .....	8
General .....	9
Service.....	10
Service / Troubleshooting .....	11
Warranty .....	Back Page

## SI (METRIC) CONVERSION FACTORS

Table 2.1

To Convert	Multiply By	To Obtain	To Convert	Multiply By	To Obtain
"W.C.	0.249	kPa	feet	0.305	m
°F	(°F-32) x 5/9	°C	Gal/Hr.	0.00379	m <sup>3</sup> /hr
Btu	1.06	kJ	Gal/Hr.	3.79	l/hr
Btu/ft <sup>2</sup>	37.3	kJ/m <sup>2</sup>	gallons	3.79	l
Btu/hr	0.000293	kW	Horsepower	746	W
CFH (ft <sup>3</sup> /hr)	0.000472	m <sup>3</sup> /min	inches	25.4	mm
CFH (ft <sup>3</sup> /hr)	0.00000787	m <sup>3</sup> /s	pound	0.454	kg
CFM (ft <sup>3</sup> /min)	0.0283	m <sup>3</sup> /min	psig	6.89	kPa
CFM (ft <sup>3</sup> /min)	0.000472	m <sup>3</sup> /s	psig	27.7	"W.C.

# UNIT LOCATION / UNIT MOUNTING

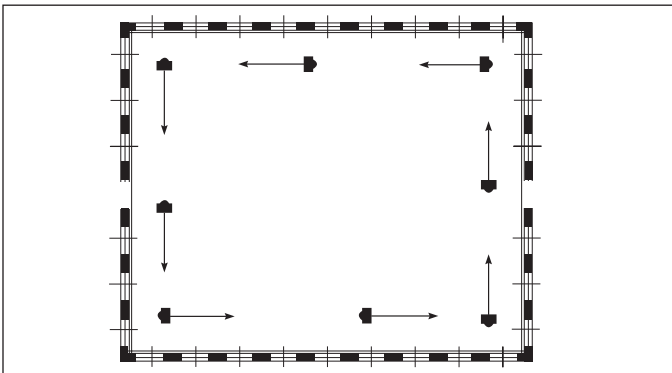
## UNIT LOCATION

### **DANGER**

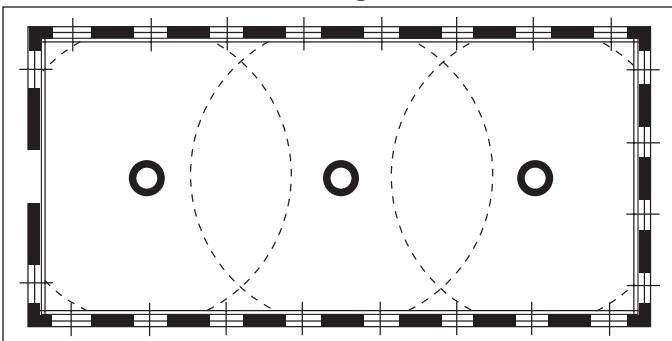
Appliances with power codes 01, 02, 04, 05, and 10 must not be installed where they may be exposed to a potentially explosive or flammable atmosphere.

1. Units should not be installed in atmospheres where corrosive fumes or sprays are present.
2. Be sure no obstructions block air intake or air discharge of unit heater.
3. Locate horizontal delivery unit heaters so air streams of individual units wipe the exposed walls of the building with either parallel or angular flow without blowing directly against the walls. Heaters should be spaced so the air stream from one supports the air stream from another heater. See Figure 3.1.
4. Columns, machinery, partitions, and other obstacles should not interfere with air streams from unit heaters.
5. Unit heaters installed in a building exposed to a prevailing wind should be located to direct a major volume of heated air along the windward wall of the building.
6. Horizontal delivery unit heaters with 90° hoods should generally be located in the central area of the space to be heated. Place horizontal delivery units without hoods along the walls of the same building where heat loss is usually greatest. See Figure 3.3.
7. Arrange horizontal delivery units so they do not blow directly at occupants. Air streams from this type of unit should be directed down aisles, into open spaces on the floor, or along exterior walls.
8. When only Horizontal delivery units with 90° hoods are installed, they should be located so exposed walls are blanketed by their air streams. See Figure 3.2.
9. There are no restrictions on use of units up to 10,000 ft. elevation (3048 meters).

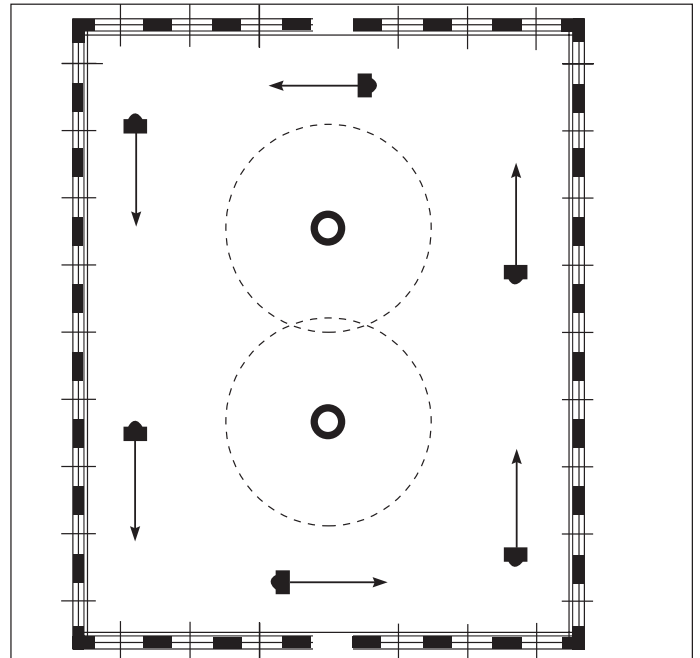
**Figure 3.1 - Horizontal Delivery Unit Location**



**Figure 3.2 - Unit Locations of Horizontal Units With 90° Hoods In Narrow Buildings**



**Figure 3.3 - Combination Horizontal and Vertical Delivery Unit Installation**



### **CAUTION**

A finger-proof fan guard is required for installations where the bottom of the unit is less than 8ft from the floor.

Do not install unit above recommended maximum mounting heights. Height at which unit heaters are installed is critical. Maximum mounting heights for all units are listed in Table 4.1 and the height dimensions are shown in Figures 4.3 and 4.4. Maximum mounting heights for horizontal models are given for units with or without optional air deflectors. The data in Table 4.1 is based on operating conditions of 140°F entering water with 60°F entering air. When operating conditions are other than those above, refer to Figure 4.2 for maximum mounting height correction factor. To obtain the maximum mounting at actual operating conditions, multiply the appropriate factor from Figure 4.2 by the mounting height in Table 4.1. The maximum mounting height for all units is that height above which the unit heater will not deliver heated air to the floor at standard rating conditions.

### **Deflector Mounting**

If an optional air deflector has been furnished, it is always shipped separately and can be attached to the unit before suspension. Vertical louvers for horizontal units can also be added and positioned before installation. Refer to mounting instructions which are furnished with each deflector.

# UNIT MOUNTING

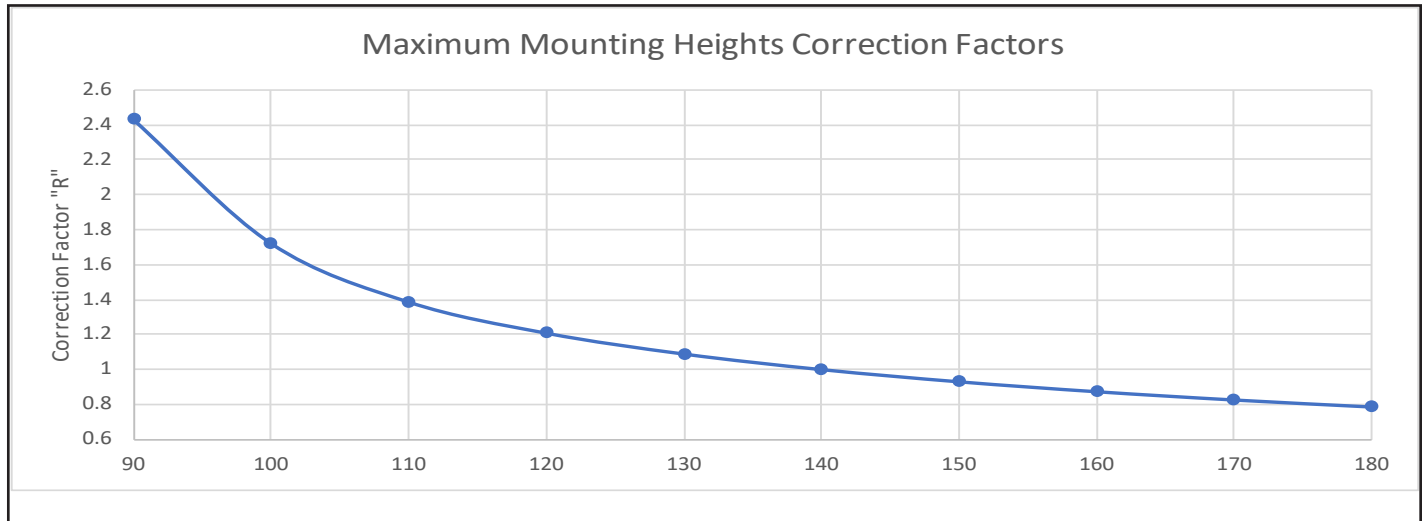
**Table 4.1 - Maximum Mounting Heights**

Horizontal Type ①		Downward Deflector Hood ②		
Model No.	Max Mounting Height (ft)	30°	60°	90°
		Max Mounting Height (ft)	Max Mounting Height (ft)	Max Mounting Height (ft)
HCH 22	8	14	15	32
HCH 39	8	12	12	35
HCH 67	9	16	16	24
HCH 104	11	19	19	40
HCH 170	11	19	19	52
HCH 195	11	18	18	41

① With horizontal louvers opened 30° from the vertical plane.

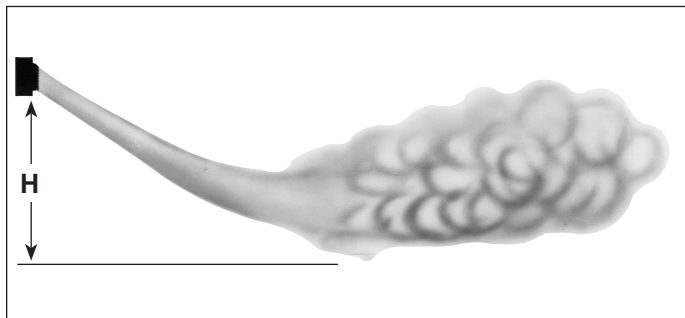
② Mounting heights are maximum for heaters operating at standard conditions. Heights listed for Downward Deflector Hoods are with deflectors in fully-opened position. Refer to Figure 4.2 for correction of mounting heights under other operating conditions. Maximum mounting height will be reduced as entering air temperatures exceed 60°F.

**Figure 4.2 - Maximum Mounting Heights Correction Factors**



These correction factors are to be used as multipliers to correct the maximum recommended mounting heights of unit heaters when operated with water at other than average temperature of 140°F.

**Figure 4.3 - Horizontal Unit Delivery**

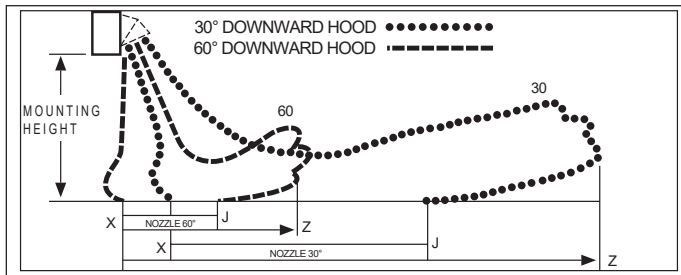


# HOT WATER PERFORMANCE DATA

Table 5.1 - Performance Data - 30°, 60° and 90° Downward Deflector Hoods

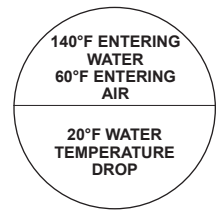
Mounting Height to Bottom of Heater	30° Downward Hood For Propeller Units					
	HCH					
	HCH 22	HCH 39	HCH 67	HCH 104	HCH 170	HCH 195
	X Y Z	X Y Z	X Y Z	X Y Z	X Y Z	X Y Z
8'	13 26 31	10 21 24	15 30 35	19 36 42	19 36 42	18 34 40
10'	13 25 29	8 18 22	14 29 34	18 35 41	18 35 41	16 33 39
12'	10 23 27	5 14 17	13 27 32	16 34 39	16 34 39	15 32 37
14'	8 19 21	-	11 25 29	15 32 38	15 32 38	14 30 35
16'	-	-	8 21 25	13 30 35	13 30 35	12 27 32
18'	-	-	-	11 26 31	11 26 31	9 23 28
20'	-	-	-	-	-	-

Mounting Height to Bottom of Heater	60° Downward Hood For Propeller Units					
	HCH					
	HCH 22	HCH 39	HCH 67	HCH 104	HCH 170	HCH 195
	X Y Z	X Y Z	X Y Z	X Y Z	X Y Z	X Y Z
8'	0 28 32	0 21 25	0 32 37	0 38 44	0 38 44	0 36 42
10'	0 26 30	0 18 21	0 30 35	0 37 43	0 37 43	0 35 40
12'	0 22 26	0 12 14	0 28 32	0 35 41	0 35 41	0 33 38
14'	0 17 20	-	0 24 28	0 32 38	0 32 38	0 30 35
16'	-	-	0 18 22	0 29 34	0 29 34	0 26 31
18'	-	-	-	0 24 29	0 24 29	0 20 24
20'	-	-	-	-	-	-



Mounting Height to Bottom of Heater	90° Downward Hood For Propeller Units					
	HCH					
	HCH 22	HCH 39	HCH 67	HCH 104	HCH 170	HCH 195
8'	65	74	43	92	133	93
10'	58	66	39	82	119	84
12'	53	61	36	75	108	76
14'	49	56	33	70	100	71
16'	46	53	31	65	94	66
18'	43	50	29	61	88	62
20'	41	47	28	58	84	59
22'	39	45	26	56	80	56
24'	37	43	25	53	77	54
26'	36	41	-	51	74	52
28'	35	40	-	49	71	50
30'	33	38	-	48	69	48
32'	-	37	-	46	66	47
34'	-	36	-	45	64	45
36'	-	-	-	43	63	44
38'	-	-	-	42	61	43
40'	-	-	-	41	59	42
42'	-	-	-	-	58	-
44'	-	-	-	-	57	-
46'	-	-	-	-	55	-
48'	-	-	-	-	54	-
50'	-	-	-	-	53	-

# PERFORMANCE DATA /DIMENSIONS



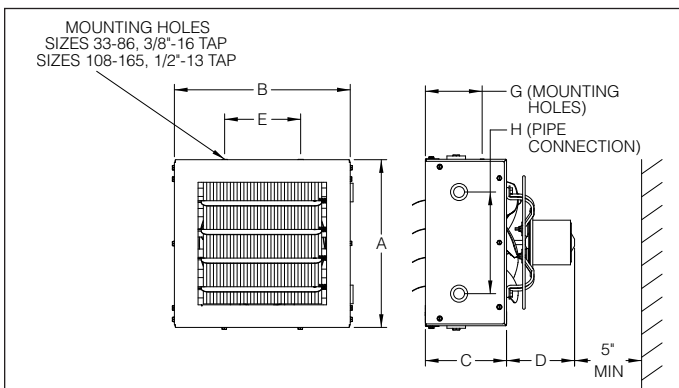
**Table 6.1 - Performance Data for Units at Standard Conditions of 140°F Entering Water and 60°F Entering Air High Motor Speed**

Model No.	Btu/hr	Water Data			Air Data					Motor Data	
		GPM	Pressure Drop (Ft. of Water)	Min/Max GPM	Maximum Mounting Height (ft.) <sup>①</sup>	Heat Throw or Spread @ Max. Height <sup>①</sup>	CFM	Outlet Velocity (Fpm)	Final Air Temp. (°F)	Hp	Approx. RPM
HCH 22	21,688	2.2	4.90	0.8 / 10	8	27	370	408	113	1/25	1,550
HCH 39	38,547	3.9	1.50	1.4 / 18	8	28	660	409	113	1/25	1,550
HCH 67	66,875	6.7	2.60	2.6 / 31	9	33	1,150	456	113	1/6	1,075
HCH 104	104,204	10.4	4.80	4.1 / 48	11	39	1,830	503	112	1/6	1,075
HCH 170	169,564	17.0	7.40	6.8 / 77	11	42	2,780	475	115	1/2	1,140
HCH 195	194,917	19.5	10.40	8.0 / 88	11	40	3,200	455	115	1/2	1,140

**Table 6.2 - HCH Cooling Performance Data (45°F Entering Water and 80°F Entering Air)**

Model No.	Entering DB Air Temp (°F)	Entering WB Air Temp (°F)	CFM	Entering Water Temp (°F)	Flow GPM (Water)	Water Temp Rise (°F)	Total Capacity (MBH)	Sensible Capacity (MBH)	Leaving DB Air Temp (°F)	Leaving WB Air Temp (°F)
HCH 22	80	67	370	45	2.5	10	12.7	9.0	57.8	55.8
HCH 39	80	67	660	45	4.8	10	23.8	16.6	57.1	55.1
HCH 67	80	67	1150	45	8.3	10	41.4	28.6	57.3	55.2
HCH 104	80	67	1830	45	13.1	10	65.7	45.0	57.5	55.2
HCH 170	80	67	2780	45	21.1	10	105.6	71.3	56.6	54.4
HCH 195	80	67	3200	45	25.0	10	125.4	83.9	56.0	54.0

**Figure 6.1 - Model Dimensions HCH 22-195**



**Table 6.3- Model Dimensions HCH 22-195<sup>①</sup>**

Model Number	A	B	C	D		E	F		G	H	Connections Copper Tube OD (in.)	Fan Diameter (in.)	Shipping Wt. lb.
				115V Std. Motor	Exp. Motor		Inlet	Outlet					
HCH 22	14.7	20.2	8.4	7	11.5	11.0	3.1	5.7	6.5	7.2	0.5	9	32
HCH 39	18.7	24.5	8.4	7	11.5	15.0	3.1	5.7	6.6	13.2	0.875	12	46
HCH 67	22.7	29.0	9.7	10	16	18.5	3.1	5.7	6.7	17.2	1.125	14	80
HCH 104	26.7	33.0	9.7	8.5	15	21.0	3.2	5.8	6.7	21.2	1.125	18	93
HCH 170	34.7	39.5	11.2	10.5	17	22.0	3.2	5.8	6.7	29.2	1.375	20	145
HCH 195	34.7	45.5	11.2	10.5	17	24.0	3.2	5.8	6.7	29.2	1.375	20	160

<sup>①</sup> All dimensions in inches.

# UNIT SUSPENSION / INSTALLATION

## UNIT SUSPENSION

**Horizontal delivery units.** All horizontal delivery units, have two 1/2"-13 tapped holes in the top for unit suspension. Piping support hangers or clamps are recommended and should be placed as close to the unit heater as possible. See Figure 7.1.

**Note:** A pipe hanger adapter kit as illustrated in Figure 7.1 is available as an accessory from Modine. The kit consists of two drilled 3/4" I.P.S. pipe caps and two capscrews to facilitate threaded-pipe suspension. One kit will mount applicable units.

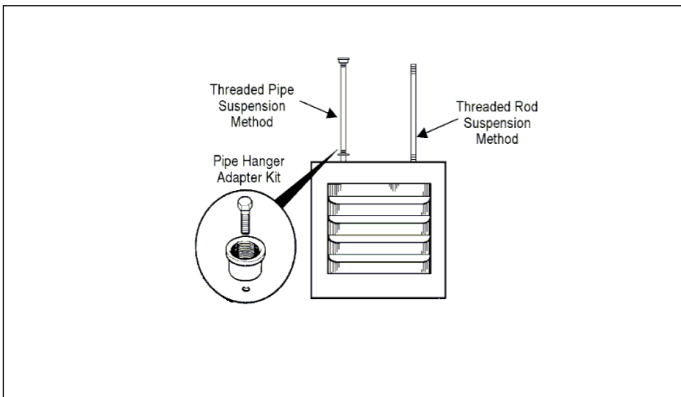
## UNIT BALANCING

Horizontal units are designed to hang level when suspended with the two 1/2"-13 tapped holes provided. Optional unit configurations such as the deflector hood or explosion proof motor may cause the unit to have a forward or backward tilt. If desired, the use of Unistrut with 1/2"-13 channel nuts and square washers as seen in figure 7.2 may be used.

Note: Threaded rod location for 2-point mount must still be within the top profile of the unit.

Optionally, the use of Unistrut may be used to achieve a 4-point mounting system. Unistrut extending beyond the front and back edge of the unit with four 3/8" -16 channel nuts, square washers and threaded rod as seen in figure 7.3 may be used.

Figure 7.1 - Unit Suspension



## Piping - See Figure 8.1

1. Branch piping to and from unit heater should include swing joints to allow for expansion and contraction of the piping without placing a strain on the unit heater element.
2. Install pipe unions and shut-off valves in lines to and from each unit heater to allow maintenance or replacement of unit without shutting down and draining entire system. For hot water systems, include a balancing valve in return line for water flow regulation. A drain valve should also be provided below each unit heater to allow removal of water from the heating coil if located in an area subject to freezing.
3. Hot water systems, rapid air removal is required because entrained air is a cause of corrosion. Hot water systems should be equipped with suitable air vent valves for rapid and complete removal of air at the high points and ends of both supply and return mains.
4. Install a scale pocket at bottom of unit heater to collect dirt and scale as shown in illustrations. Pipe diameter must be the same size as unit connections and about 6" long.
5. Provide adequate pipe hangers, supports, or anchors to secure the piping system independently of the unit heater.

## Electrical Connections

### ! WARNING

1. Disconnect power supply before making wiring connections to prevent electrical shock and equipment damage.
2. All appliances must be wired strictly in accordance with wiring diagram furnished with the appliance. Any wiring different from the wiring diagram could result in a hazard to persons and property.
3. Any original factory wiring that requires replacement must be replaced with wiring material having a temperature rating of at least 105°C.

### ! CAUTION

1. A finger-proof fan guard is required for installations where the bottom of the unit is less than 8ft from the floor.
  2. Do not reuse any electrical component which has been wet. Replace component.
  3. Ensure that the supply voltage is within +10% and -5% from rated voltage listed on the nameplate.
1. Installation of wiring must conform with local building codes, or in the absence of local codes, with the National Electric Code ANSI/NFPA 70 - Latest Edition. Unit must be electrically grounded in conformance to this code. In Canada, wiring must comply with CSA C22.1, Electrical Code. Means for disconnection must be incorporated in the fixed wiring in accordance with wiring rules.

Figure 7.2 - Unit Balance 2-point

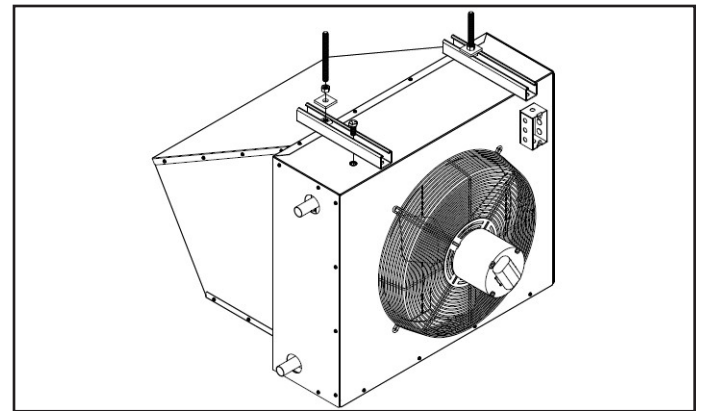
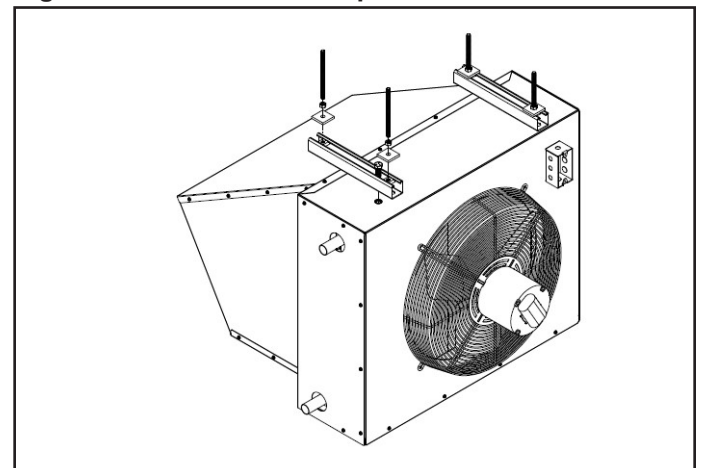
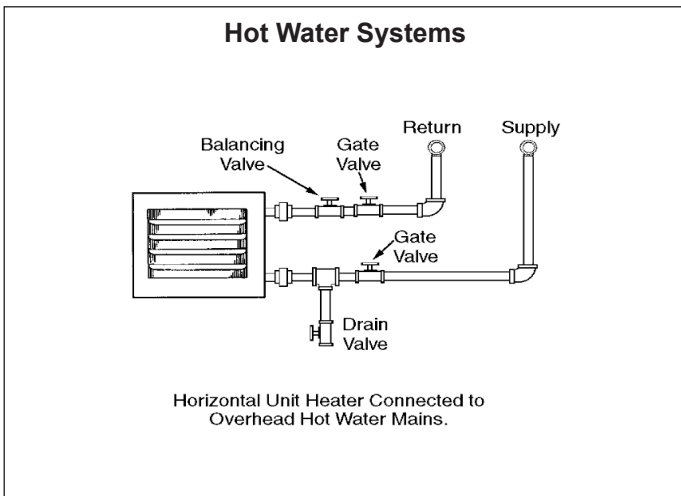


Figure 7.3 - Unit Balance 4-point



# INSTALLATION / OPERATION

Figure 8.1 - Suggested Piping Arrangements ①



① Arrangements shown are recommendations only. Where horizontal units are shown, vertical units can be substituted or vice versa. For modifications to piping suggestions shown, refer to your local plumbing authority.

## Electrical Connections (Cont.)

2. Electric wiring must be sized to carry the full load amp draw of the motor, starter, and any controls that are used with the unit heater. All units with power codes 04, 05, 09, or 10 (polyphase motors) must be provided with suitable overcurrent protection in circuit supplying heater at installation. Overcurrent protectors should be sized based on motor current rating shown on the unit serial plate, and applicable national electric code procedures.

All units are provided with an electrical junction box. Junction boxes are either integral to the motor or attached to the unit casing. Units with explosion-proof motors have an explosion-proof junction box attached to the motor.

Any damage to or failure of Modine units caused by incorrect wiring of the units is not covered by Modine's standard warranty.

3. Location of room thermostat, when supplied, should be in the natural circulating path of room air. Mount thermostat about five feet above floor level where it will not be affected by heat from the unit or other sources of drafts that would prevent it from properly controlling room temperature. See instructions packed with the thermostat.

## OPERATION

### Prior to Operation

1. Make sure fuses are installed in fused disconnect switches.
2. Check all electrical connections to assure they are secure.
3. Check rigidity of unit mounting. Tighten all fasteners, if necessary.
4. Inspect piping, strainers, traps, fittings, etc.

### Initial Start-Up

1. Set thermostat to lowest position.
2. Turn on power supply to unit.
3. Open return gate valve, and then open supply gate valve to unit.
4. Raise thermostat setting to desired position.
5. Adjust louvers (if provided) for desired heat distribution.
6. To insure proper sequence of operation, cycle unit on and off a few times by raising and lowering thermostat setting.
7. Check for proper rotation of fan. All fans must rotate in a counterclockwise direction when viewed from the back of the unit heater.

## Automatic Control Operations

Install one of the following operating systems for continuous automatic control.

### Intermittent Fan Operation — Hot Coil

A room thermostat starts and stops the fan motor. An aquastat is sometimes strapped to the return piping to prevent fan operation when heat is not being supplied to the unit heater.

### Continuous Fan Operation — Intermittent Hot/Cold Coil

A room thermostat controls a valve which opens to allow hot water to supply the unit and closes to shut off the supply when the thermostat is satisfied.



# OPERATION

Figure 9.1 - Horizontal Delivery Unit Cutaway ①

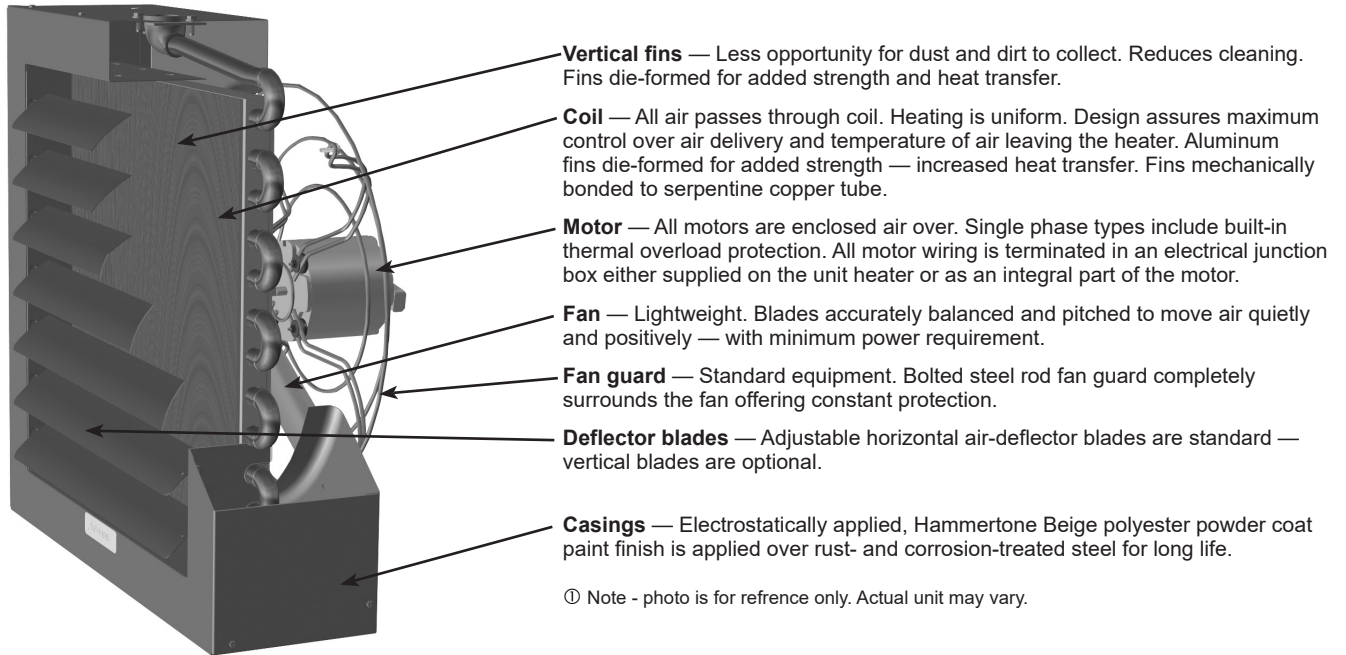


Figure 9.2 - Typical Horizontal Unit with Standard Junction Box

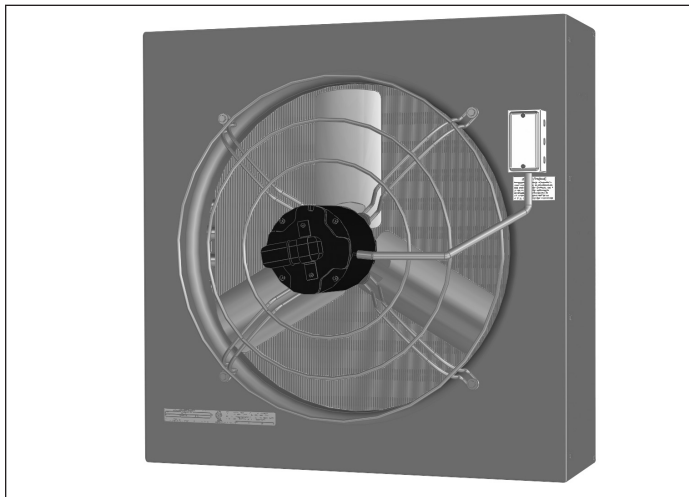


Figure 9.3 - Horizontal Unit with Optional Fingerprint Fan Guard



# MOTOR DATA / SERVICE

## SERVICE

### **WARNING**

When servicing or repairing this equipment, use only factory-approved service replacement parts. A complete replacement parts list may be obtained by contacting Modine Manufacturing Company. Refer to the rating plate on the unit for complete unit substitution of parts or controls not approved by the factory will be at the owner's risk.

### **CAUTION**

1. A qualified installation and service agency must perform all installation and service of these appliances, and the use of this manual is solely and specifically intended for that purpose.
2. Do not reuse any electrical component which has been wet. Replace component.

### **IMPORTANT**

To check most of the Possible Remedies in the troubleshooting guide listed in Table 11.1, refer to the applicable sections of the manual.

Heating equipment should be serviced before each heating season to assure proper operations. The following items may be required more frequently based on the environment in which the unit is installed and frequency of equipment operation.

**Before any service, BE SURE TO TURN OFF THE WATER SUPPLY AT THE MANUAL SHUT-OFF VALVES AND TURN OFF ALL ELECTRIC POWER TO THE HEATER.**

## Motors

1. Remove grease and dirt on motor during each inspection or lubrication.
2. Lubricate motor according to manufacturer's instructions located on the motor. When no motor oiling instructions are on the motor, oil the motor every two thousand hours of operation with SAE20 motor oil for units in normal applications. Adjust oiling according to usage and atmosphere.
3. Some motors do not have oil fittings. These motors are lubricated for long life and do not require further lubrication.
4. A change in line voltage higher or lower than motor nameplate rating may cause overheating and serious motor damage. Check plant voltage conditions. A separate manual starter with thermal overload protection device is recommended for those units that do not have motors with built-in overload protection.

## Coils

1. Clean coil at least once a year; more often under unfavorable conditions. Unless coil is kept reasonably free of dirt, lint and grease, its original heating capacity will be reduced — possibly to a serious degree, and motor damage may result.

### **Two commonly used cleaning methods are:**

- Loosen dirt by brushing fins on side where air enters coil and then turn on fan to blow dirt from unit.
- Use high pressure air hose to loosen dirt by blowing from side where air leaves coil (side adjacent to louvers on blow-through units; side adjacent to fan on draw-through units).

# SERVICE / TROUBLESHOOTING

2. For thorough cleaning of coil, remove motor and fan and spray a mild alkaline cleaning solution over the coil. After a few minutes, follow by a hot water rinse. (A steam gun can be used for spraying cleaning solution and hot water.)
  3. Coils subjected to corrosive fumes should be checked and cleaned frequently.
  4. Provide controlled water treatment — don't use excess of boiler compounds. Contact your boiler compound supplier for proper usage or the services of a water treatment laboratory.
  5. Periodic internal flushing of the coils is recommended in areas where water supply is suspected of causing scale. Use an alkaline-chelant solution and introduce it at the main pump of the hydronic system. Flush thoroughly.
- NOTE: USING INORGANIC OR MINERAL ACIDS SUCH AS MURIATIC (HYDROCHLORIC) ACID, EVEN THOUGH INHIBITED, MAY LEAD TO SEVERE DAMAGE, INCLUDING CORROSION AND LEAKAGE.**
6. De-aerate boiler feed-water (particularly if large amount of new water is used).
  7. Ensure rapid continuous and adequate condensate drainage by properly sized and installed traps and piping. Check traps for sticking. Clean strainers ahead of traps. (When traps don't work, condensate accumulates in unit heater coil; water hammer results.)
  8. Adequately vent each unit.

## Casings

1. Periodic cleaning of casings is recommended to remove dirt, grease and corrosive substances that may injure finish. Rusted or corroded spots should be cleaned and repainted.
2. Tighten fan guard and motor bracket. Check fan for proper clearance, free rotation and firm connection to shaft.  
When servicing is complete, tag unit to indicate date of inspection, lubrication and cleaning.

## Replacement Parts

When requesting parts please contact your local representative. Please have full model and serial number available.

**Table 11.1 - Troubleshooting**

<p><b>Fails to Maintain Temperature</b></p> <ol style="list-style-type: none"> <li>1. Undersized unit heater, boiler, pump or piping.</li> <li>2. Unit heater mounted too high — heated air not delivered to floor.</li> <li>3. Thermostat — improper location or setting, or not functioning.</li> <li>4. Dirty or clogged coil.</li> </ol> <p><b>Unit Blows Cold Air</b></p> <ol style="list-style-type: none"> <li>1. Manual shut-off valve closed.</li> <li>2. Insufficient or lack of hot water.</li> <li>3. Aquastat not functioning.</li> <li>4. Improper venting.</li> <li>5. Pump undersized or not operating (hot water system).</li> </ol> <p><b>Does Not Operate When Heat Needed</b></p> <ol style="list-style-type: none"> <li>1. Defective motor or electrical connections.</li> <li>2. Thermostat, aquastat or pressure limit control not functioning.</li> </ol> <p><b>Fails to Deliver Heat to Floor</b></p> <ol style="list-style-type: none"> <li>1. Units mounted too high.</li> <li>2. Operating on low speed.</li> <li>3. Final air temperature too high.</li> <li>4. Louvers not adjusted properly.</li> <li>5. Undersized unit heater (insufficient air delivery).</li> <li>6. Wrong type of unit (may require vertical delivery).</li> <li>7. Cross ventilation or drafts.</li> <li>8. Obstructions to air flow.</li> </ol>	<p><b>Noisy Unit</b></p> <ol style="list-style-type: none"> <li>1. Loose bolts or screws.</li> <li>2. Fan blade bent, out of balance.</li> <li>3. Dirt accumulation on fan blades.</li> <li>4. Fan hub or blade rivets loose.</li> <li>5. Motor shaft bearing worn.</li> <li>6. Motor mounting bent, fan not positioned properly.</li> <li>7. Conduit too rigid, transmits vibration noise.</li> <li>8. BX cable touching unit heater, chatters as casing vibrates.</li> </ol> <p><b>Employees Complain of Hot Blast</b></p> <ol style="list-style-type: none"> <li>1. Air stream aimed directly at employees.</li> <li>2. Louvers not adjusted properly.</li> <li>3. Excessive final air temperature.</li> </ol> <p><b>Unit Operates Too Long</b></p> <ol style="list-style-type: none"> <li>1. Thermostat installed on cold wall or other improper location.</li> <li>2. Aquastat or pressure limit control not functioning properly.</li> <li>3. Unit is undersized.</li> </ol> <p><b>Frequent Motor Failure</b></p> <ol style="list-style-type: none"> <li>1. Voltage fluctuations too high or too low.</li> <li>2. Excessive or insufficient lubrication.</li> <li>3. Wiring to motor undersized.</li> <li>4. Improper electrical connections.</li> <li>5. Motor operating in too high air temperature.</li> <li>6. Restricted air flow due to clogged coil or closed louvers.</li> <li>7. Fan out of balance.</li> <li>8. Unbalanced voltage on 3<math>\phi</math> power.</li> </ol> <p><b>Coil Failure/Unit Leaks</b></p> <ol style="list-style-type: none"> <li>1. Severe internal corrosion from feedwater.</li> <li>2. Type of boiler treatment.</li> <li>3. Entrained air causing water hammer.</li> <li>4. Continuous operation above 150 PSI (375°F)</li> <li>5. Loose connection.</li> </ol>
---	--

**PAGE LEFT INTENTIONALLY BLANK**

**PAGE LEFT INTENTIONALLY BLANK**

**PAGE LEFT INTENTIONALLY BLANK**

# WARRANTY

This Warranty (the "Warranty") shall apply to Products (as defined below) sold by Modine Manufacturing Company, a Wisconsin corporation ("Seller") to you ("Buyer").

Seller hereby warrants that during the Applicable Warranty Period (as defined below) its Products shall be free from defects in material and factory workmanship under normal use and service, subject to the EXCLUSIONS described below and according to the terms outlined in this Warranty.

If Seller receives written notice of a breach of this Warranty prior to the end of the Applicable Warranty Period (which such notice shall include the model and serial numbers of the Product, as well as the date and a reasonably detailed description of the Product's alleged failure), Buyer shall with Seller's prior written approval, return the applicable Product or component thereof to Seller with shipping charges prepaid; if upon examination by Seller such Product or component thereof is disclosed to have been defective, then Seller will, without charge to Buyer, at Seller's option, either repair the Product, replace defective parts in the Product, or offer an entire replacement unit of the Product; provided that the warranty period for a Product that has been repaired or provided with replacement parts shall not extend beyond the original Applicable Warranty Period, nor shall any replacement parts provided for a Product be under any warranty beyond the original Applicable Warranty Period for the Product; similarly, if Seller provides an entire replacement unit of the Product, the warranty period for the replacement unit is limited to the remainder of the original Applicable Warranty Period. Seller shall have no responsibility for installation, service, field labor, shipping, handling, or other costs or charges, except as expressly provided in this Warranty. Buyer shall have no remedy hereunder for any defective part returned without proper written authorization from Seller, as described above.

For purposes of this Warranty and subject to the exclusions described below, the term "Products" shall mean parts or equipment manufactured by Seller, sold to Buyer pursuant to a purchase contract between Buyer and Seller (most often initiated by a purchase order issued by Buyer and accepted by Seller), and expressly described in such contract. The term "Products" shall not include third-party parts or equipment furnished by Seller, except that, to the extent assignable, Seller will assign to Buyer the benefits (together with all limitations and exclusions) of the third-party manufacturer's warranty for such parts or equipment. This Warranty extends only to the original purchase contract between Buyer and Seller and is nontransferable, except that this Warranty may be assigned to an Authorized End User (as defined below). All replaced parts or equipment shall become Seller's property. For purposes of this Warranty, the term "Applicable Warranty Period" shall mean the warranty period set forth in the table below for each type or class of Product described on the table; provided that, when the Product is to be used as a component part of equipment manufactured by Buyer, the Applicable Warranty Period shall be limited to one (1) year after the date of shipment from Seller, notwithstanding anything in the table below to the contrary. For purposes of this Warranty, the term "Authorized End User" shall mean any third-party that purchases the Product directly or indirectly from Buyer for the Authorized End User's own use upon the first installation of the Product and not for resale.

BUYER HEREBY ACKNOWLEDGES THAT ITS REMEDIES FOR BREACH OF THIS WARRANTY, EXCLUSIVE OF ALL OTHER REMEDIES PROVIDED BY LAW, ARE LIMITED AS DESCRIBED ABOVE.

EXCLUSIONS AND LIMITATIONS: This Warranty is subject to the following exclusions and limitations:

The term "Products" shall not include and this Warranty shall not apply to any of the following items: refrigerant gas, belts, filters, fuses and other items consumed or worn out by normal wear and tear.

In addition, this Warranty shall not apply to:

- (1) Products or components thereof that are damaged or adversely affected by conditions beyond Seller's control, including but not limited to polluted or contaminated or foreign matter contained in the air or water utilized for heat exchanger (condenser) cooling or if the failure of the part is caused by improper air or water supply, or improper or incorrect sizing of power supply;
- (2) Any Products or components thereof which have been repaired or altered outside the factory of Seller in any way, or otherwise subject to unauthorized repairs or alterations, so as, in the judgment of Seller, to affect the Product's durability or performance;
- (3) Materials or labor of any kind not furnished by Seller, or any charges for any such labor or materials, whether such labor, materials or charges thereon are due to replacement of parts, adjustments, repairs, or any other work done by any party other than Seller;
- (4) Labor or other costs incurred for diagnosing, repairing, removing, installing, shipping, servicing, or handling of either defective or replacement parts;
- (5) Any Products removed from their original location for reinstallation in another location;
- (6) Any Products or components thereof which have been operated, maintained, or serviced contrary to Seller's written installation, operation, and/or servicing instructions or owner's manual;
- (7) Damages resulting from operation with an inadequate or interrupted supply of air or water;
- (8) Any Products or components thereof which have been subjected to misuse, negligence, faulty installation, improper servicing, accident, excessive thermal shock, excessive humidity, physical damage, impact, abrasion, improper operation, or other operating conditions in excess of or contrary to those for which such equipment was designed;
- (9) With respect to gas-fired or oil-fired units, any Products or components thereof if the input to the Product exceeds the rated input (as indicated on the Product's serial plate) by more than five percent (5%);
- (10) Any Products or components thereof which, in the judgment of Seller, have been installed in a corrosive atmosphere, marine, or coastal application, subjected to corrosive fluids or gases, or damaged or adversely affected by the effects of the physical or chemical properties of water or steam or other liquids or gases used in the Products or any component thereof;
- (11) Damage or failure to start resulting from improper voltage conditions, blown fuses, open circuit breakers, or other

inadequacy or interruption of electrical service or fuel supply; or  
 (12) Any Products or components thereof from which the serial number has been altered, defaced or removed.

BUYER AGREES THAT THE WARRANTIES AND REMEDIES DESCRIBED HEREIN ARE THE ONLY WARRANTIES AND REMEDIES PROVIDED BY SELLER WITH RESPECT TO THE PRODUCTS AND TO THE MAXIMUM EXTENT PERMITTED UNDER APPLICABLE LAW SHALL BE IN LIEU OF AND EXCLUSIVE OF ALL OTHER WARRANTIES AND REMEDIES WHATSOEVER, EITHER EXPRESS OR IMPLIED, WHETHER ARISING FROM LAW, COURSE OF DEALING, USAGE OF TRADE, OR OTHERWISE, **INCLUDING BUT NOT LIMITED TO WARRANTIES OF MERCHANTABILITY, FITNESS FOR A PARTICULAR PURPOSE, AND NON-INFRINGEMENT, EACH OF WHICH SELLER HEREBY EXPRESSLY DISCLAIMS.** SELLER NEITHER ASSUMES (NOR HAS AUTHORIZED ANY PERSON TO ASSUME) ANY OTHER WARRANTY OR LIABILITY IN CONNECTION WITH ANY PRODUCTS. REPRESENTATIONS AND CONDITIONS, EXPRESS OR IMPLIED BY STATUTE, TRADE USAGE, OR OTHERWISE, ARE EXCLUDED AND WILL NOT APPLY TO THE PRODUCTS UNDER THIS WARRANTY, EXCEPT FOR WARRANTIES WHICH BY LAW CANNOT BE EXCLUDED

OR LIMITED. Without limiting the foregoing, Seller makes no and specifically disclaims all representations and/or warranties that the Products will detect the presence of, or eliminate, prevent, treat, or mitigate the spread, transmission, or outbreak of any pathogen, disease, virus, or other contagion, including but not limited to COVID 19.

BUYER AGREES THAT IN NO EVENT WILL SELLER BE LIABLE FOR COSTS OF PROCESSING, LOST REVENUES OR PROFITS, INJURY TO GOODWILL, OR ANY OTHER SPECIAL, CONSEQUENTIAL, OR INCIDENTAL DAMAGES OF ANY KIND RESULTING FROM THE PURCHASE OF THE PRODUCTS, OR FROM BUYER'S USE OF ANY PRODUCT, WHETHER ARISING FROM BREACH OF WARRANTY, NONCONFORMITY TO ORDERED SPECIFICATIONS, DELAY IN DELIVERY, OR ANY OTHER LOSS SUSTAINED BY THE BUYER.

**OPTIONAL SUPPLEMENTAL WARRANTY**

Buyer may purchase from Seller a supplemental warranty with respect to Products which shall extend the Applicable Warranty Period as set forth in the express terms and conditions described in the supplemental warranty agreement. Such supplemental warranty terms may include an additional four (4) years on certain compressors, an additional five (5) years "all parts" warranty, an additional four (4) or nine (9) years on certain heat exchangers, and/or such additional supplemental warranty terms as Seller chooses to make available to its customers from time to time.

COMPONENT	APPLICABLE MODELS		APPLICABLE WARRANTY PERIOD (WHICHEVER OCCURS FIRST)	
			Time from Date of First Beneficial Use by Buyer or Authorized End User	Time from Date of Shipment from Seller
Heat Exchangers and/or Coils	Gas Fired Unit Heaters with Tubular Style Heat Exchangers (e.g. HD, HDS, PTX, BTX, etc)	Aluminized or Stainless Steel	10 YEARS	126 MONTHS
	Gas Fired Unit Heaters with Clam-Shell Style Heat Exchangers (e.g. PDP, BDP, etc.)	Aluminized Steel (not in high-humidity applications)	10 YEARS (must be Stainless Steel in high-humidity applications)	126 MONTHS
		Aluminized Steel (in high-humidity applications)	1 YEAR	18 MONTHS
		Stainless Steel	10 YEARS	126 MONTHS
	Low Intensity Infrared Units		5 YEARS	66 MONTHS
	Indoor and Outdoor Duct Furnaces and System Units, Steam/Hot Water Units, Oil-Fired Units, Electric Units, Cassettes, Vertical Unit Ventilators, Geothermal Units		1 YEAR	18 MONTHS
Burners and Elements	Low Intensity Infrared Units		2 YEARS	30 MONTHS
	High Intensity Infrared and Electric Infrared Units		1 YEAR	18 MONTHS
Compressors	Condensing Units for Cassettes		5 YEARS	66 MONTHS
	Vertical Unit Ventilators, Geothermal Units		1 YEAR	18 MONTHS
Sheet Metal Parts	All Products		1 YEAR	18 MONTHS
Components, excluding Heat Exchangers, Coils, Condensers, Burners, Sheet Metal	All Products		2 YEARS	30 MONTHS

As Modine Manufacturing Company has a continuous product improvement program, it reserves the right to change design and specifications without notice.





Puisque Modine Manufacturing Company a un programme d'amélioration permanente de ses produits, elle se réserve le droit de modifier la conception et les caractéristiques techniques sans préavis.

PÉRIODE DE GARANTIE APPLICABLE (SELON LA PREMIÈRE ÉVENTUALITÉ)		MODÈLES APPLICABLES		COMPOSANT
Période à compter de la première utilisation par l'Acheteur ou l'Utilisateur final autorisé		Période à compter de la date d'expédition par le Vendeur		
126 MOIS	10 ANS	Acier inoxydable ou Acier aluminisé pas humidité élevée)	Appareils de chauffage au gaz avec échangeurs de chaleur de style tubulaire (par ex., HD, HDS, PTX, BTX, etc.)	Échangeurs thermiques ou serpents
126 MOIS	10 ANS (doit être en acier inoxydable dans les applications à humidité élevée)	Acier aluminisé (dans les applications à humidité élevée)	Appareils de chauffage au gaz avec échangeurs de chaleur de style grappin (par ex., PDP, BDP, etc.)	
18 MOIS	1 AN	Acier inoxydable	Modèles infrarouges à faible intensité	
66 MOIS	5 ANS	Acier inoxydable	Modèles infrarouges à haute intensité et infrarouges électriques	
18 MOIS	1 AN	Acier inoxydable	Modèles infrarouges à faible intensité	
30 MOIS	2 ANS	Acier inoxydable	Modèles infrarouges à faible intensité	
18 MOIS	1 AN	Acier inoxydable	Modèles infrarouges à faible intensité	
18 MOIS	1 AN	Acier inoxydable	Modèles infrarouges à faible intensité	
18 MOIS	1 AN	Acier inoxydable	Modèles infrarouges à faible intensité	
18 MOIS	1 AN	Acier inoxydable	Modèles infrarouges à faible intensité	
30 MOIS	2 ANS	Acier inoxydable	Modèles infrarouges à faible intensité	Brûleurs et éléments
18 MOIS	1 AN	Acier inoxydable	Modèles infrarouges à faible intensité	
66 MOIS	5 ANS	Acier inoxydable	Modèles infrarouges à faible intensité	Compresseurs
18 MOIS	1 AN	Acier inoxydable	Modèles infrarouges à faible intensité	
18 MOIS	1 AN	Acier inoxydable	Modèles infrarouges à faible intensité	Pièces en tôle
30 MOIS	2 ANS	Acier inoxydable	Modèles infrarouges à faible intensité	
30 MOIS	2 ANS	Acier inoxydable	Modèles infrarouges à faible intensité	Composants, excluant les échangeurs thermiques, les serpents, les condenseurs, les brûleurs, la tôle
		Tous les produits		Tous les produits

(12) aux Produits ou composants de ces derniers dont le numéro de série a été modifié, dégradé ou retiré.

L'ACHETEUR CONVIENT QUE LES GARANTIES ET LES RECOURS DÉCRITS AUX PRÉSENTS SONT LES SEULES GARANTIES ET LES SEULS RECOURS FOURNIS PAR LE VENDEUR EN CE QUI CONCERNE LES PRODUITS, ET DANS LA PLUS GRANDE MESURE PERMISE PAR LA LOI EN VIGUEUR, ILS REMPLACENT ET EXCLUENT TOUTES LES AUTRES GARANTIES ET TOUTS LES AUTRES RECOURS QUI SOIENT EXPLICITES OU IMPLICITES, DÉCOULANT DE LA LOI, D'UNE TRANSACTION, DE L'USAGE DU COMMERCE OU AUTREMENT, Y COMPRIS, SANS S'Y LIMITER, LES GARANTIES DE VALEUR MARCHANDE, D'ADAPTATION À UN USAGE PARTICULIER ET DE NON-CONTREFAÇON, AUXQUELS LE VENDEUR RENONCE EXPRESSÉMENT PAR LES PRÉSENTS. LE VENDEUR N'ASSUME PAS (ET N'A PAS AUTORISÉ QUICUNQUE À ASSUMER) TOUTE AUTRE GARANTIE OU RESPONSABILITÉ RELATIVEMENT AUX PRODUITS. LES REPRÉSENTATIONS ET LES CONDITIONS, EXPRESSES OU IMPLICITES PAR STATUT, USAGE DU COMMERCE OU AUTREMENT, SONT EXCLUES ET NE S'APPLIQUENT PAS AUX PRODUITS EN VERTU DE LA PRÉSENTE GARANTIE, À L'EXCEPTION DES GARANTIES QUI NE PEUVENT PAS ÊTRE EXCLUES OU LIMITÉES SELON LA LOI.

Sans limiter ce qui précède, le Vendeur n'effectue aucune déclaration et renonce spécifiquement à toute garantie que les Produits détecteront la présence, élimineront, traiteront ou atténueront la propagation, la transmission ou l'éruption de pathogènes, maladies, virus ou autres contagions, y compris, sans s'y limiter, la COVID-19.

L'ACHETEUR CONVIENT QUE LE VENDEUR SERA EN AUCUN CAS RESPONSABLE DES COÛTS DE TRAITEMENT, DES PERTES DE REVENUS OU DE PROFITS, DES PERTES D'ACHALANDAGE OU D'AUTRES DOMMAGES SPÉCIAUX, INDIRECTS OU CONSÉCUTIFS DE TOUTE SORTIE DÉCOULANT DE L'ACHAT DES PRODUITS OU DE L'UTILISATION DE TOUT PRODUIT PAR L'ACHETEUR, QU'ILS SOIENT LE RÉSULTAT DU NON-RESPECT DE LA GARANTIE, D'UNE NON-CONFORMITÉ AUX SPÉCIFICATIONS DE COMMANDE, DE RETARDS DE LIVRAISON OU DE TOUTE AUTRE PERTE SUBIE PAR L'ACHETEUR. GARANTIE SUPPLÉMENTAIRE EN OPTION

L'Acheteur peut se procurer auprès du Vendeur une garantie supplémentaire relative aux Produits qui prolongera la Période de garantie applicable qui est établie dans les conditions expressement décrites dans l'accord de garantie supplémentaire. Les conditions d'une telle garantie supplémentaire peuvent comprendre une période supplémentaire de quatre (4) ans sur certains compresseurs, une garantie supplémentaire de cinq (5) ans sur « toutes les pièces », une période supplémentaire de quatre (4) ou neuf (9) ans sur certains échangeurs de chaleur ou d'autres conditions de garantie supplémentaire que le Vendeur peut accepter d'offrir à ses clients de temps à autre.

# GARANTIE COMMERCIALE

La présente garantie (« Garantie ») s'applique aux Produits (tels qu'ils sont définis ci-dessous) vendus par Modine Manufacturing Company, une entreprise du Wisconsin (le « Vendeur ») à vous

Durant la Période de garantie applicable (telle que définie ci-dessous), le Vendeur garantit par les présentes que ses Produits seront exempts de défauts de matériaux et de fabrication en usine dans des conditions normales d'utilisation et d'entretien, assujettie aux EXCLUSIONS décrites ci-dessous et conformément aux conditions établies dans la présente Garantie.

Si le Vendeur reçoit un avis écrit d'une violation à la présente Garantie avant la fin de la Période de garantie applicable (et un tel avis doit comprendre les numéros de modèle et de série du Produit, ainsi que la date et une description raisonnablement détaillée de la soi-disant défaillance), l'Acheteur, après avoir obtenu l'approbation écrite du Vendeur, retournera le Produit ou le composant du produit en question en prépayant les frais d'envoi; si, après examen du Produit ou du composant de ce dernier par le Vendeur, il est déterminé que l'article est défectueux, le Vendeur, à sa discrétion et sans aucuns frais pour l'Acheteur, réparera le Produit, remplacera les pièces défectueuses du Produit ou offrira une unité de rechange complète du Produit; à condition que la période de garantie d'un Produit qui a été réparé ou sur lequel des pièces de rechange ont été installées ne dépasse pas la Période de garantie applicable d'origine, de même que des pièces de rechange fournies pour un Produit ne seront pas couvertes par la garantie au-delà de la Période de garantie applicable du Produit; de façon similaire, si le Vendeur fournit une unité de rechange complète pour le Produit, la période de garantie de l'unité de rechange se limite au reste de la Période de garantie applicable d'origine. Le Vendeur ne sera pas responsable de l'installation, de l'entretien, de la main-d'œuvre sur le terrain, des frais d'expédition et de maintenance ou des autres frais et coûts, à l'exception de ce qui est spécifiquement prévu dans la présente Garantie. L'Acheteur n'aura pas de recours en vertu des présentes si une pièce défectueuse est retournée dans l'autorisation écrite préalable du Vendeur, tel que décrit ci-dessus.

Pour les besoins de la présente Garantie et assujetti aux exclusions décrites ci-dessous, le terme « Produits » signifie des pièces ou de l'équipement fabriqués par le Vendeur, vendus à l'Acheteur en vertu d'un contrat d'achat conclu entre l'Acheteur et le Vendeur (initié le plus souvent par un bon de commande émis par l'Acheteur) et accepté par le Vendeur, qui sont expressément décrits dans un tel contrat. Le terme « Produits » ne comprend pas les pièces ou l'équipement de tiers fournis par le Vendeur, sauf s'ils peuvent être cédés, auquel cas, le Vendeur cèdera à l'Acheteur les avantages (ainsi que les limites et les exclusions) de la garantie du fabricant tiers pour ces pièces ou cet équipement. La présente Garantie ne s'applique qu'au contrat d'achat d'origine entre l'Acheteur et le Vendeur et elle ne peut pas être transférée, sauf qu'elle peut être cédée à un Utilisateur final autorisé (tel que défini ci-dessous). Toutes les pièces et tous les équipements remplacés deviennent la propriété de l'Acheteur. Pour les besoins de la présente Garantie, le terme « Période de garantie applicable » signifie la période de garantie établie dans le tableau ci-dessous pour chaque type ou chaque catégorie de Produit décrits dans le tableau; à condition que, lorsqu'un Produit sera utilisé comme composant d'un équipement fabriqué par l'Acheteur, la Période de garantie applicable se limitera à un (1) an après la date d'expédition par le Vendeur, notwithstanding toute disposition contractaire dans le tableau ci-dessous. Pour les besoins de la présente Garantie, le terme « Utilisateur final autorisé » signifie un tiers qui achète le Produit directement ou indirectement de l'Acheteur pour l'usage de l'Utilisateur final autorisé dès la première installation du Produit et non pour la revente.

L'ACHETEUR RECONNAÎT PAR LES PRÉSENTES QUE SES RECOURS POUR TOUTE VIOLATION À LA GARANTIE, À L'EXCLUSION DE TOUTS LES AUTRES RECOURS OFFERTS PAR LA LOI, SE LIMITENT À CE QUI EST DÉCRIT CI-DESSUS.

EXCLUSIONS ET LIMITES : La présente Garantie est assujettie aux exclusions et limites suivantes :

Le terme « Produits » ne comprend pas et la présente Garantie ne s'applique pas à l'un ou l'autre des articles suivants : les gaz frigorigènes, courroies, filtres, fusibles et autres articles consommés ou usés dans le cadre d'une usure normale.

De plus, la présente Garantie ne s'applique pas :

- (1) aux produits ou composants de ces derniers qui sont endommagés ou défavorablement affectés par des conditions hors du contrôle du Vendeur, y compris, sans s'y limiter, des matières polluées, contaminées ou étrangères se trouvant dans l'air ou l'eau utilisés pour le refroidissement de l'échangeur thermique (condenseur) ou si la défaillance de la pièce est causée par une alimentation inadéquate en air ou en eau ou par la puissance inappropriée de l'alimentation électrique;
- (2) aux produits ou composants de ces derniers qui ont été réparés ou modifiés de quelque façon à l'extérieur de l'usine du Vendeur, ou qui ont été autrement soumis à des réparations ou modifications non autorisées de manière à, selon l'avis du Vendeur, affecter la durabilité ou la performance du Produit;
- (3) aux matériaux ou à la main-d'œuvre de toute sorte non fournis par le Vendeur, ou aux frais liés à une telle main-d'œuvre ou de tels matériaux, que la main-d'œuvre, les matériaux ou les frais s'y rapportant résultent d'un remplacement de pièces, d'ajustements, de réparations ou de tout autre travail effectué par une partie autre que le Vendeur;
- (4) à la main-d'œuvre ou aux autres frais encourus pour le diagnostic, la réparation, le retrait, l'installation, l'expédition, l'entretien ou la manipulation de pièces défectueuses ou de rechange;
- (5) aux produits retirés de leur emplacement original pour réinstallation à un autre endroit;
- (6) aux produits ou composants de ces derniers qui ont été utilisés, entretenus ou réparés contrairement aux directives écrites d'installation, de fonctionnement ou d'entretien ou au manuel d'utilisation du Vendeur;
- (7) aux dommages découlant de l'utilisation au moyen d'une alimentation en eau ou en air inadéquate ou interrompue;
- (8) aux Produits ou composants de ces derniers qui ont été soumis à une mauvaise utilisation, de la négligence, une installation défectueuse, un entretien inadéquat, un accident, un choc thermique excessif, une humidité excessive, des dommages physiques, un impact, de l'abrasion, un mauvais fonctionnement ou toute autre condition de fonctionnement qui dépasse ou qui est contraire à celles pour lesquelles l'équipement a été conçu;
- (9) en ce qui concerne les unités au gaz ou au mazout, tous les Produits ou les composants de ces derniers si l'alimentation vers le Produit dépasse la puissance nominale (indiquée sur la plaque signalétique du Produit) de plus de cinq pour cent (5%);
- (10) aux Produits ou composants de ces derniers qui, selon l'avis du Vendeur, ont été installés dans une atmosphère corrosive, une application marine ou côtière, soumis à des liquides ou gaz corrosifs ou endommagés ou affectés négativement par les effets des propriétés physiques ou chimiques de l'eau ou de la vapeur ou des autres liquides ou gaz utilisés dans les Produits ou les composants de ces derniers;
- (11) aux dommages ou à l'échec du démarrage découlant d'une mauvaise tension, de fusibles grillés, de disjoncteurs ouverts ou de toute autre insuffisance ou interruption du service électrique ou de l'alimentation en carburant; ou

**PAGE LAISSÉE INTENTIONNELLEMENT VIDE**

**PAGE LAISSÉE INTENTIONNELLEMENT VIDE**

**PAGE LAISSÉE INTENTIONNELLEMENT VIDE**

## MAINTENANCE ET DÉPANNAGE

- Pour nettoyer à fond le serpentín, retirer le moteur et le ventilateur avant de vaporiser une solution modérément alcaline sur le serpentín. Laisser agir quelques minutes et laver à l'eau chaude. (Pour ces deux opérations, on peut utiliser un pistolet à vapeur.)
  - Les serpentíns exposés à des vapeurs corrosives doivent être vérifiés et nettoyés fréquemment.
  - Utiliser de l'eau traitée, sans exagérer la quantité de produits pour chaudière. Le fournisseur du produit détartrant ou un laboratoire de traitement des eaux pourra donner des conseils utiles.
  - Si l'eau utilisée est très calcaire, il est recommandé de faire des rinçages périodiques du circuit du serpentín. Utiliser une solution agent alcalin-chélateur introduite au niveau de la pompe principale du système hydronique. Rincer abondamment.
- REMARQUE :** L'EMPLOI D'ACIDES INORGANQUES (MINÉRAL), COMME L'ACIDE CHLORHYDRIQUE (MURIATIQUE), MÊME INHIBÉS, PEUT CAUSER DES DOMMAGES GRAVES, DE LA CORROSION ET DES FUITES.
  - L'eau alimentaire de la chaudière doit être désaérée (particulièrement lorsqu'on ajoute un gros volume d'eau).
  - Assurer un écoulement rapide et continu du condensat en utilisant des tuyauteries et des purgeurs de diamètre convenable. Vérifier que les purgeurs fonctionnent.

Tableau 11.1 – Dépannage

### Système incapable de maintenir la température de consigne

- Capacité insuffisante des appareils de chauffage, de la chaudière, de la pompe ou des tuyauteries.
  - Appareil monté trop haut — l'air chaud n'atteint pas le niveau du plancher.
  - Thermostat — mal placé ou mal réglé, ou défectueux.
  - Serpentin sale ou bouché.
- ### L'appareil souffle de l'air froid
- Robinet d'arrêt manuel fermé.
  - Débit d'eau chaude insuffisant ou nul.
  - Aquastat défectueux.
  - Mise à l'air libre incorrecte.
  - Pompe insuffisante ou défectueuse (système à eau chaude).

### Le système ne chauffe pas quand c'est nécessaire

- Moteur défectueux ou connexions défectueuses.
- Thermostat, aquastat ou limiteur de pression opérant.

### La chaleur n'atteint pas le plancher

- Appareils de chauffage montés trop haut.
- Vitesse du ventilateur trop basse.
- Température de l'air de sortie trop élevée.
- Volets du registre mal réglés.
- Appareil mal dimensionné (débit d'air insuffisant).
- Type d'appareil mal choisi (un débit vertical serait plus efficace).
- Flux d'air chaud affecté par la ventilation ou des courants d'air.
- Obstacles bloquant le flux d'air chaud.

### Fonctionnement bruyant

- Boulons ou vis desserrés.
  - Pales tordues ou mal équilibrées.
  - Accumulation de poussière sur les pales.
  - Rivets du moyeu ou des pales desserrés.
  - Roulement d'arbre moteur usé.
  - Supports du moteur tordus, hélice décentrée.
  - Conduit trop rigide, transmet les vibrations.
  - Câble BX touchant l'appareil, bruit causé par les vibrations du carter.
- ### Les employés se plaignent de courants d'air chaud
- Flux d'air mal dirigé (directement vers le personnel).
  - Volets du registre mal réglés.
  - Air de sortie trop chaud.

### L'appareil tourne trop longtemps

- Thermostat mal positionné (par exemple contre un mur froid).
- Aquastat ou limiteur de pression défectueux.
- Appareil sous-dimensionné.

### Détailances répétées du moteur

- Tension trop haute ou trop basse.
- Graissage excessif ou insuffisant.
- Câblage du moteur inadéquat (section trop faible).
- Branchements électriques défectueux.
- Température de l'air trop élevée autour du moteur.
- Débit d'air restreint en raison d'un serpentín bouché ou de volets fermés.
- Ventilateur mal équilibré.
- Tension mal équilibrée sur l'alimentation 3φ.

### Détailance du serpentín/Fuites au niveau de l'appareil

- Forte corrosion interne causée par la qualité de l'eau.
- Type de traitement de la chaudière.
- Présence d'air dans le circuit causant des coups de bélier.
- Fonctionnement continu à plus de 150 PSI (375 °F).
- Raccord mal serré.

### Carter

- Il est recommandé de nettoyer périodiquement les carters pour enlever la saleté, la graisse et les substances corrosives qui risquent d'attaquer la peinture. Les zones de rouille ou de corrosion doivent être nettoyées et repeintes.
  - Ressermer les fixations de la grille de protection et du support du moteur. Vérifier que l'hélice tourne librement, avec un jeu suffisant, et qu'elle est bien calée sur l'arbre.
- À la fin d'une opération d'entretien, fixer sur l'équipement une étiquette indiquant la date d'inspection, de graissage et de nettoyage.

### Pièces de rechange

Pour commander des pièces, adressez-vous à votre représentant local. Vous aurez besoin du numéro de modèle complet et du numéro de série.

**MAINTENANCE**

**⚠️ AVERTISSEMENT**

Pour l'entretien et les réparations de cet appareil, n'utiliser que des pièces d'origine certifiées. Pour la liste complète des pièces de rechange, consultez la Modline Manufacturing Company. Toute substitution de pièce ou d'organe de commande non approuvée par Modline par le fabricant engage la responsabilité du propriétaire.

**⚠️ ATTENTION**

1. Une agence d'installation et de service qualifiée doit effectuer toute l'installation et l'entretien de ces appareils, et l'utilisation de ce manuel est uniquement et spécifiquement destinée à cet usage.  
 2. Ne jamais réutiliser un composant électrique qui a été atteint par l'eau. Remplacer le composant.

**IMPORTANT**

Pour essayer la plupart des Solutions possibles suggérées dans le Tableau de dépannage 15.1, voir les sections correspondantes du manuel.

L'équipement de chauffage doit être entretenu avant la saison pour assurer un bon fonctionnement. Les points particuliers suivants doivent faire l'objet d'un entretien plus fréquent selon l'environnement dans lequel fonctionne l'appareil et sa fréquence d'utilisation.

**Avant toute maintenance, VEILLER À COUPER L'ARRIVÉE D'EAU CHAUDE AUX ROBINETS D'ARRÊT MANUELS ET TOUTE L'ALIMENTATION ÉLECTRIQUE À L'APPAREIL DE CHAUFFAGE.**

**Moteurs**

1. Retirer la graisse et la saleté du moteur à chaque inspection ou graissage. Les moteurs à carcasse ouverte doivent être nettoyés à l'air comprimé avant chaque saison de chauffage ou en même temps que les échangeurs, si l'intervalle est plus fréquent.
2. Graisser les moteurs selon les instructions du fabricant (plaques du moteur). En l'absence d'instructions de graissage du moteur, huiler les paliers après 2000 heures de fonctionnement avec de l'huile moteur SAE20 pour une utilisation normale. Ajuster la périodicité en fonction de l'utilisation et de l'environnement.
3. Certains moteurs ne comportent pas d'orifices de lubrification. Ils sont graissés à vie et n'ont pas besoin d'autre lubrification.
4. Une variation de la tension du secteur, en plus ou en moins par rapport à la tension nominale, peut causer une surchauffe et des dommages sérieux au moteur. Vérifier souvent la tension du secteur local. Il est recommandé d'utiliser un démarreur manuel séparé avec protection thermique pour tous les moteurs qui ne comportent pas une protection thermique incorporée.

**Serpentins**

1. Le serpentin doit être nettoyé au moins une fois par année, et plus souvent si l'environnement est défavorable. Un serpentin encrassé de poussière, de déchets textiles ou de graisse perd sa capacité d'échange, parfois dans des proportions considérables, ce qui peut causer des dommages au moteur.
- Les deux méthodes de nettoyage les plus courantes sont :**
- Brosser les ailettes du côté de l'entrée d'air du serpentin et faire fonctionner le ventilateur pour évacuer la poussière libre.
  - Utiliser un jet d'air comprimé sur le côté sortie du serpentin (près des volets sur les modèles où le ventilateur est derrière l'échangeur; côté ventilateur sur les autres).

Figure 9.1 – Coupe d'un appareil à débit horizontal ①

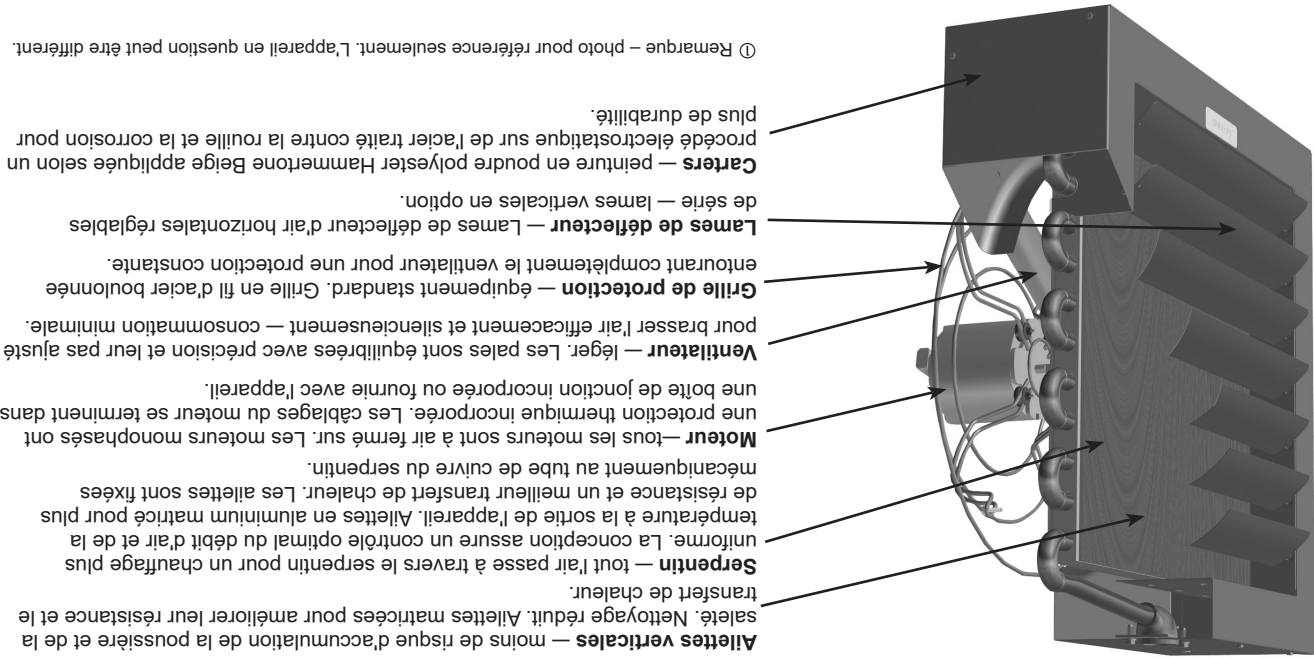


Figure 9.2 – Appareil à débit horizontal typique avec boîte de jonction standard

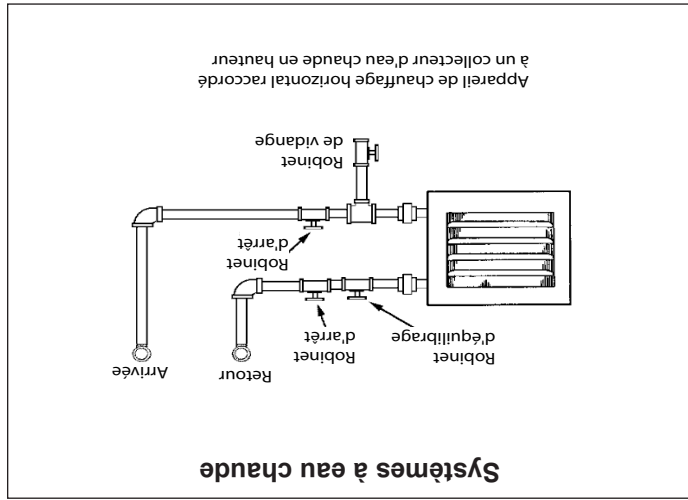


Figure 9.3 – Appareil à débit horizontal avec grille de protection du ventilateur avec grille





Figure 8.1 – Disposition suggérée des tuyauteries ①



① Les configurations illustrées sont uniquement des recommandations. Lorsque des appareils horizontaux sont illustrés, des appareils verticaux peuvent leur être substitués ou vice versa. Pour apporter des modifications aux suggestions de tuyauterie illustrées, consulter l'autorité de plomberie locale.

## Raccordements électriques (suite)

- Le câblage électrique doit être dimensionné en fonction de l'ampérage maximum consommé par le moteur, le démarreur et toutes les commandes utilisées avec l'appareil de chauffage. Tous les modèles portant les codes d'alimentation 04, 05, 09 ou 10 (moteurs polyphasés) doivent être munis d'une protection contre les surintensités dans le circuit d'alimentation de l'installation. Les disjoncteurs de surintensité doivent être calculés en fonction de la charge nominale du moteur indiquée sur la plaque signalétique, selon les procédures du code de l'électricité applicable. Tous les appareils doivent être équipés d'une boîte de jonction. La boîte de jonction peut être intégrée au moteur ou fixée au carter de l'appareil. Les moteurs de type antidéflagrant sont munis d'une boîte de jonction de même catégorie. Les dommages et les défaillances des appareils Modine causés par des erreurs de branchement électrique ne sont pas couverts par la garantie standard.
- Si un thermostat de température ambiante est fourni, il doit être installé dans un endroit où la circulation d'air est naturelle. Pour assurer une bonne régulation de température, le thermostat doit être monté à une hauteur de cinq pieds (1,5 m), en un point abrité de la chaleur de l'appareil et des autres sources de courant d'air. Suivre les instructions fournies avec le thermostat.

## FONCTIONNEMENT

### Avant la mise en service

- Vérifier que les fusibles sont en place dans tous les sectionneurs.
- Vérifier que tous les branchements électriques sont bien serrés.
- Vérifier la rigidité du montage de l'appareil. Resserrer toutes les fixations, au besoin.
- Inspecter les tuyauteries, les crépines, les purgeurs, les raccords, etc.

### Mise en service

- Régler le thermostat au minimum.
  - Mettre l'appareil sous tension.
  - Ouvrir le robinet d'arrêt du retour, puis le robinet d'alimentation.
  - Monter le thermostat à la position désirée.
  - Régler les volets (s'il y a lieu) pour obtenir la répartition désirée de la chaleur.
  - Pour vérifier la séquence de régulation, faites quelques cycles de démarrage et d'arrêt avec l'appareil en augmentant et en abaissant le point de consigne du thermostat.
  - Vérifier que le ventilateur tourne librement. Tous les ventilateurs doivent tourner dans le sens anti-horaire lorsque vous regardez l'arrière de l'appareil.
- Installez l'un des systèmes de commande suivants pour assurer une régulation automatique continue.

### Fonctions de régulation automatique

#### Ventilateur intermittent – Serpentin chaud

Le démarrage et l'arrêt du moteur du ventilateur sont commandés par un thermostat de température ambiante. Un aquastat est parfois fixé sur le tuyau de retour pour éviter que le ventilateur tourne quand l'appareil n'est pas alimenté en eau chaude ou en vapeur.

#### Fonctionnement continu du ventilateur – Régulation de la température du serpentin

Un thermostat de température ambiante commande la vanne qui ouvre l'arrivée d'eau chaude pour alimenter l'appareil et la referme lorsque le thermostat détecte la température de consigne.

# SUSPENSION ET INSTALLATION DE L'APPAREIL

## SUSPENSION DE L'APPAREIL

**Appareils à débit horizontal.** Tous les appareils à débit horizontal ont deux trous taraudés 1/2 po-13 sur le dessus pour leur suspension. Des ferrures ou des colliers de tuyau sont recommandés et devraient être placés aussi près que possible de l'appareil de chauffage. Pour les autres modèles, la suspension indépendante peut se faire par des tiges filetées, des tuyaux ou des supports fixes au plafond. Voir Figure 7.1.

**Remarque :** L'ensemble d'adaptateur d'attaches de tuyau illustré à la Figure 7.1 est offert en option par Modine. L'ensemble comprend deux bouchons de tuyaux percés 3/4 po l.P.S., et deux vis machine facilitant la suspension avec des tubes filetés. Un ensemble permettra de monter les appareils applicables.

## ÉQUILIBRAGE DES UNITÉS

Équilibrage des unités. Les unités horizontales sont conçues pour s'accrocher à niveau lorsqu'elles sont suspendues avec les deux trous taraudés 1/2 po-13 fournis. Les configurations d'unité optionnelles telles que le capot détecteur ou le moteur antidéflagrant peuvent entraîner une inclinaison de l'unité vers l'avant ou vers l'arrière. Si vous le souhaitez, l'utilisation d'Unitruts avec des écrous 1/2 po-13 canaux et des rondelles carrées comme on le voit à la figure 7.2 peut être utilisée.

**Remarque :** L'emplacement de la tige filetée pour le montage en 2 points doit toujours se trouver dans le profil supérieur de l'unité.

En option, l'utilisation d'Unitruts peut être utilisée pour réaliser un système de montage à 4 points. Un Unitruts étendant au-delà des bords avant et arrière de l'unité avec quatre écrous 3/8 po -16 canaux, des rondelles carrées et une tige filetée comme le montre la figure 7.3 peut être utilisé.

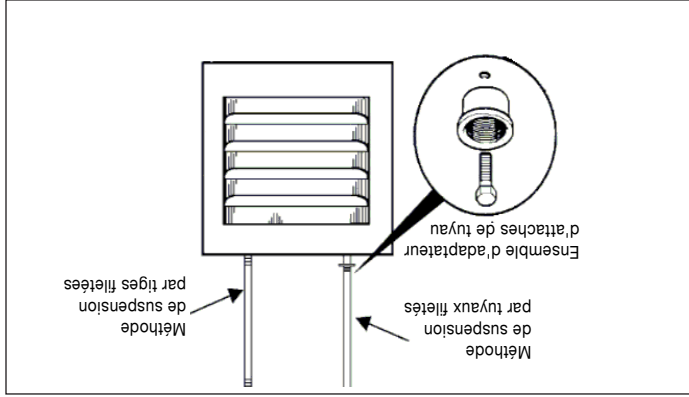


Figure 7.1 – Suspension de l'appareil

Figure 7.2 unité d'équilibre - 2 point

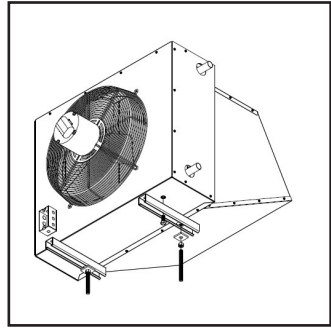
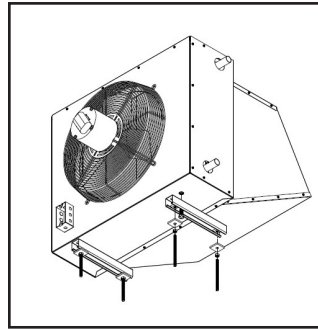


Figure 7.3 unité d'équilibre 4 - Point



## Branchements électriques

1. Les tuyauteries d'alimentation et de retour de l'appareil doivent comporter des joints articulés pour permettre la dilatation et la contraction des tuyaux sans créer de contraintes excessives au niveau de l'appareil.
2. Les tuyauteries d'alimentation et de retour doivent être munies de raccords union et de robinets-vannes pour permettre l'entretien ou le remplacement de l'appareil sans avoir à arrêter et à purger l'ensemble du système. Pour les systèmes à eau chaude, il faut ajouter un robinet d'équilibrage dans la tuyauterie de retour pour la régulation du débit d'eau. Il doit également y avoir un robinet de purge en dessous de chaque appareil pour permettre de vider l'eau du serpentin si la température du local est susceptible de descendre en dessous du point de congélation.
3. Dans les systèmes à eau chaude, il est important d'avoir un moyen de purger rapidement l'air qui peut causer de la corrosion lorsqu'il est entraîné dans le circuit. Les systèmes à eau chaude devraient être équipés de purgeurs permettant d'éliminer rapidement et complètement l'air aux points hauts et aux extrémités des collecteurs d'alimentation et de retour.
4. Installer un collecteur d'impuretés au bas de l'appareil pour recueillir la saleté et le tartre, comme illustré. Le diamètre du tuyau doit être le même que celui des raccords de l'appareil, pour une longueur d'environ six pouces.
5. Le client doit fournir des tubes de suspension, des supports ou des ancrages permettant de suspendre les tuyauteries indépendamment de l'appareil.

## Tuyauteries – voir Figure 8.1

1. Débrancher l'alimentation avant d'effectuer des branchements pour éviter tout risque d'électrocution et d'endommagement de l'appareil.
2. Tous les branchements et câblages doivent être faits en stricte conformité avec le schéma fourni avec l'appareil. Tout câblage différent de celui du schéma peut créer des risques de dommages matériels ou de blessures.
3. Tout câblage d'origine exigeant un remplacement doit être remplacé par un câble d'indice thermique nominal de 105 °C.
4. Vérifier que la tension d'alimentation n'est pas supérieure de plus de 5 % à la tension nominale inscrite sur la plaque de l'appareil.

## ATTENTION

1. Un protégé-ventilateur résistant aux doigts est requis pour les installations où le bas de l'unité est à moins de 8 pieds du sol.
2. Ne jamais réutiliser un composant électrique qui a été atteint par l'eau. Remplacer le composant.
3. Assurez-vous que la tension d'alimentation est comprise entre + 10% et -5% de la tension nominale indiquée sur la plaque signalétique.

1. L'installation du câblage doit être conforme aux codes locaux du bâtiment ou, en l'absence de codes locaux, au Code électrique national ANSI/NFPA 70, dernière édition. L'appareil doit être électriquement mis à la terre, conformément à ce code. Au Canada, l'installation doit se faire selon le code de l'électricité CSA C22.1.

# PERFORMANCES DES MODELES EAU CHAUDE



Tableau 6.1 – Données de performance pour des appareils fonctionnant dans des conditions normales : entrée d'eau à 140 °F (60 °C), entrée d'air à 60 °F (15 °C) – Moteur tournant à haut régime

Modèle n°	BTU/h	gal/min	Perte de charge (pi d'eau)	Données eau				Données air				Caractéristiques du moteur
				Hauteur max. de montage (pi)	Portée de l'air chaud à la hauteur max. (1)	CFM	Vitesse de sortie (pi/min)	Temp. air finale (°F)	HP	Vitesse approx.	Portée de l'air chaud à la hauteur max. (1)	
HCH 22	21 688	2,2	4,90	0,8 / 10	8	27	370	408	113	1/25	1550	
HCH 39	38 547	3,9	1,50	1,4 / 18	8	28	660	409	113	1/25	1550	
HCH 67	66 875	6,8	2,60	2,6 / 31	9	33	1150	456	113	1/6	1075	
HCH 104	104 204	10,6	4,80	4,1 / 48	11	39	1830	503	112	1/6	1075	
HCH 170	169 564	17,2	7,40	6,8 / 77	11	42	2780	475	115	1/2	1140	
HCH 195	194 917	19,8	10,40	8 / 88	11	40	3200	455	115	1/2	1140	

Tableau 6.2 - HCH Données de Performance de Refroidissement (45°F Entrer dans L'eau et 80°F Entrer dans L'air)

Modèle	Entrée DB Temp de L'air (°F)	Entrée WB Temp de L'air (°F)	CFM	Entrée Temp de L'eau (°F)	Débit GPM (L'eau)	Hausse de Temp de L'eau (°F)	Capacité Totale (MBH)	Capacité Raisonnable (MBH)	Départ DB Temp de L'air (°F)	Départ WB Temp de L'air (°F)
HCH 22	80	67	370	45	2,5	10	12,7	9,0	57,8	55,8
HCH 39	80	67	660	45	4,8	10	23,8	16,6	57,1	55,1
HCH 67	80	67	1150	45	8,3	10	41,4	28,6	57,3	55,2
HCH 104	80	67	1830	45	13,1	10	65,7	45,0	57,5	55,2
HCH 170	80	67	2780	45	21,1	10	105,6	71,3	56,6	54,4
HCH 195	80	67	3200	45	25,0	10	125,4	83,9	56,0	54,0

Figure 6.2 – Dimensions du modèle HCH 22-195

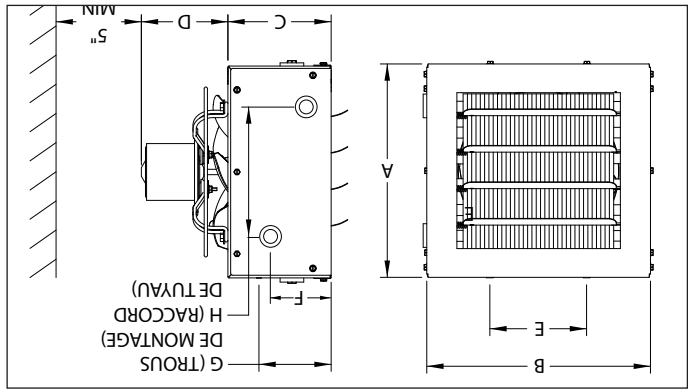


Tableau 6.3 – Dimensions du modèle HCH 22-195

Modèle	A	B	C	D		E	F	G	H	D.E. de tube de cuivre de raccordement (po)	Diamètre du ventilateur (po)	Poids brut (lb)
				Moteur anti-défil.	Moteur std 115 V							
HCH 22	14,7	20,2	8,4	7	11,5	11	3,1	5,7	6,5	7,2	0,5	32
HCH 39	18,7	24,5	8,4	7	11,5	15	3,1	5,7	6,6	13,2	0,875	46
HCH 67	22,7	29	9,7	10	18,5	16	3,1	5,7	6,7	17,2	1,125	80
HCH 104	26,7	33	9,7	8,5	21	15	3,2	5,8	6,7	21,2	1,125	93
HCH 170	34,7	39,5	11,2	10,5	22	17	3,2	5,8	6,7	29,2	1,375	145
HCH 195	34,7	45,5	11,2	10,5	24	17	3,2	5,8	6,7	29,2	1,375	160

① Toutes les dimensions en pouces.

# PERFORMANCES DES MODELES EAU CHAUDE

Tableau 5.1 – Données de performance – hottes de déflexion vers le bas à 30°, 60° et 90°

Hauteur de montage jusqu'au bas de l'appareil chauffant					
8 pi	13 26 31	10 21 24	15 30 35	19 36 42	18 34 40
10 pi	13 25 29	8 18 22	14 29 34	18 35 41	16 33 39
12 pi	10 23 27	5 14 17	13 27 32	16 34 39	15 32 37
14 pi	8 19 21	-	11 25 29	15 32 38	14 30 35
16 pi	-	-	8 21 25	13 30 35	12 27 32
18 pi	-	-	-	11 26 31	9 23 28
20 pi	-	-	-	-	-

HCH					
HCH 22	HCH 39	HCH 67	HCH 104	HCH 170	HCH 195

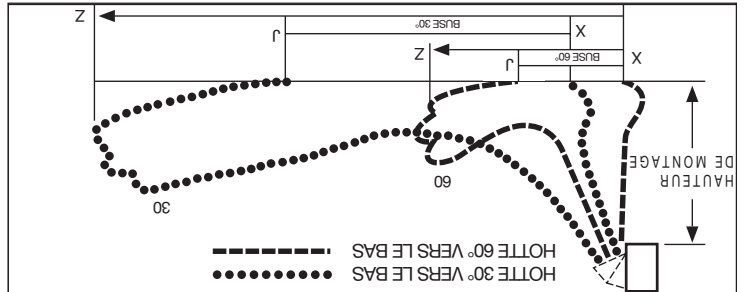
Hauteur de montage jusqu'au bas de l'appareil chauffant					
8 pi	0 28 32	0 21 25	0 32 37	0 38 44	0 36 42
10 pi	0 26 30	0 18 21	0 30 35	0 37 43	0 35 40
12 pi	0 22 26	0 12 14	0 28 32	0 35 41	0 33 38
14 pi	0 17 20	-	0 24 28	0 32 38	0 30 35
16 pi	-	-	0 18 22	0 29 34	0 26 31
18 pi	-	-	-	0 24 29	0 20 24
20 pi	-	-	-	-	-

HCH					
HCH 22	HCH 39	HCH 67	HCH 104	HCH 170	HCH 195

**Hauteur de montage jusqu'au bas de l'appareil chauffant**

Hauteur de montage jusqu'au bas de l'appareil chauffant					
8 pi	0 28 32	0 21 25	0 32 37	0 38 44	0 36 42
10 pi	0 26 30	0 18 21	0 30 35	0 37 43	0 35 40
12 pi	0 22 26	0 12 14	0 28 32	0 35 41	0 33 38
14 pi	0 17 20	-	0 24 28	0 32 38	0 30 35
16 pi	-	-	0 18 22	0 29 34	0 26 31
18 pi	-	-	-	0 24 29	0 20 24
20 pi	-	-	-	-	-

HCH					
HCH 22	HCH 39	HCH 67	HCH 104	HCH 170	HCH 195



Hauteur de montage jusqu'au bas de l'appareil chauffant					
8 pi	65	74	43	92	133
10 pi	58	66	39	82	119
12 pi	53	61	36	75	108
14 pi	49	56	33	70	100
16 pi	46	53	31	65	94
18 pi	43	50	29	61	88
20 pi	41	47	28	58	84
22 pi	39	45	26	56	80
24 pi	37	43	25	53	77
26 pi	36	41	-	51	74
28 pi	35	40	-	49	71
30 pi	33	38	-	48	69
32 pi	-	37	-	46	66
34 pi	-	36	-	45	64
36 pi	-	-	-	43	63
38 pi	-	-	-	42	61
40 pi	-	-	-	41	59
42 pi	-	-	-	-	58
44 pi	-	-	-	-	57
46 pi	-	-	-	-	55
48 pi	-	-	-	-	54
50 pi	-	-	-	-	53

HCH					
HCH 22	HCH 39	HCH 67	HCH 104	HCH 170	HCH 195

**Hauteur de montage jusqu'au bas de l'appareil chauffant**

**Hauteur de montage jusqu'au bas de l'appareil chauffant**

**Hauteur de montage jusqu'au bas de l'appareil chauffant**

**Hauteur de montage jusqu'au bas de l'appareil chauffant**

**Hauteur de montage jusqu'au bas de l'appareil chauffant**

**Hauteur de montage jusqu'au bas de l'appareil chauffant**

**Hauteur de montage jusqu'au bas de l'appareil chauffant**

**Hauteur de montage jusqu'au bas de l'appareil chauffant**

**Hauteur de montage jusqu'au bas de l'appareil chauffant**

**Hauteur de montage jusqu'au bas de l'appareil chauffant**

**Hauteur de montage jusqu'au bas de l'appareil chauffant**

**Hauteur de montage jusqu'au bas de l'appareil chauffant**

**Hauteur de montage jusqu'au bas de l'appareil chauffant**

**Hauteur de montage jusqu'au bas de l'appareil chauffant**

**Hauteur de montage jusqu'au bas de l'appareil chauffant**

**Hauteur de montage jusqu'au bas de l'appareil chauffant**

**Hauteur de montage jusqu'au bas de l'appareil chauffant**

**Hauteur de montage jusqu'au bas de l'appareil chauffant**

**Hauteur de montage jusqu'au bas de l'appareil chauffant**

**Hauteur de montage jusqu'au bas de l'appareil chauffant**

**Hauteur de montage jusqu'au bas de l'appareil chauffant**

**Hauteur de montage jusqu'au bas de l'appareil chauffant**

**Hauteur de montage jusqu'au bas de l'appareil chauffant**

**Hauteur de montage jusqu'au bas de l'appareil chauffant**

**Hauteur de montage jusqu'au bas de l'appareil chauffant**

**Hauteur de montage jusqu'au bas de l'appareil chauffant**

**Hauteur de montage jusqu'au bas de l'appareil chauffant**

**Hauteur de montage jusqu'au bas de l'appareil chauffant**

**Hauteur de montage jusqu'au bas de l'appareil chauffant**

**Hauteur de montage jusqu'au bas de l'appareil chauffant**

**Hauteur de montage jusqu'au bas de l'appareil chauffant**

**Hauteur de montage jusqu'au bas de l'appareil chauffant**

**Hauteur de montage jusqu'au bas de l'appareil chauffant**

**Hauteur de montage jusqu'au bas de l'appareil chauffant**

**Hauteur de montage jusqu'au bas de l'appareil chauffant**

**Hauteur de montage jusqu'au bas de l'appareil chauffant**

**Hauteur de montage jusqu'au bas de l'appareil chauffant**

**Hauteur de montage jusqu'au bas de l'appareil chauffant**

**Hauteur de montage jusqu'au bas de l'appareil chauffant**

**Hauteur de montage jusqu'au bas de l'appareil chauffant**

**Hauteur de montage jusqu'au bas de l'appareil chauffant**

**Hauteur de montage jusqu'au bas de l'appareil chauffant**

**Hauteur de montage jusqu'au bas de l'appareil chauffant**

**Hauteur de montage jusqu'au bas de l'appareil chauffant**

**Hauteur de montage jusqu'au bas de l'appareil chauffant**

**Hauteur de montage jusqu'au bas de l'appareil chauffant**

# MONTAGE DE L'APPAREIL

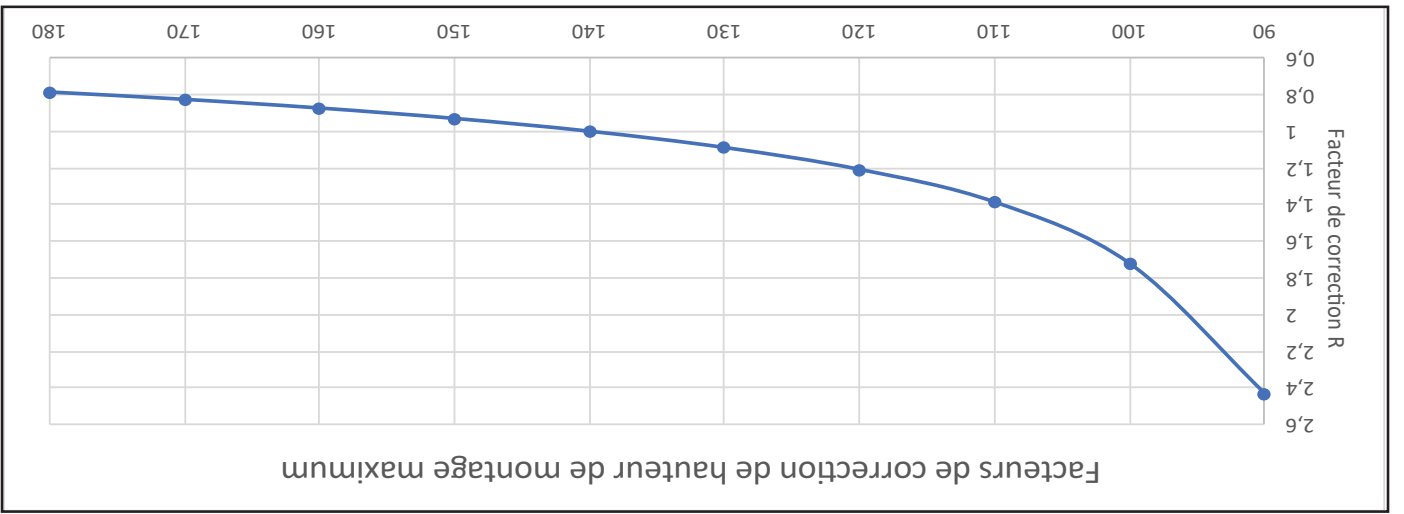
Tableau 4.1 – Hauteurs de montage maximum

Type horizontal ①	Hotte de déflexion vers le bas ②		
	Hauteur max. de montage (pi)	Hauteur max. de montage (pi)	Hauteur max. de montage (pi)
Type horizontal ①	HCH 195		18
	HCH 170		19
	HCH 104		19
	HCH 67		16
	HCH 39		12
	HCH 22		14
	HCH 22		15
	HCH 32		32
	HCH 35		35
	HCH 24		24
Hotte de déflexion vers le bas ②		60°	41
		90°	52

① Avec volets horizontaux ouverts à 30° du plan vertical.

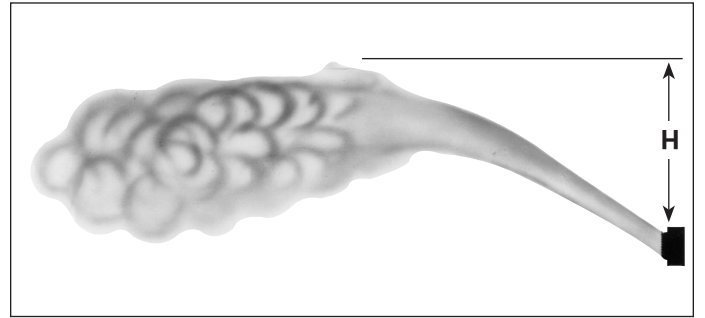
② Les hauteurs de montage sont maximales pour des appareils de chauffage fonctionnant dans des conditions standard. Les hauteurs indiquées pour les hottes de déflexion vers le bas impliquent des déflecteurs ouverts au maximum. Consulter la Figure 4.2 pour les facteurs de correction de hauteur si les conditions sont différentes. Les hauteurs de montage indiquées doivent être réduites si la température de l'air est supérieure à 60 °F.

Tableau 4.2 – Facteurs de correction pour les hauteurs de montage maximum



Ces facteurs sont des multiplicateurs de correction des hauteurs de montage maximum à utiliser si l'eau n'est pas à une température moyenne de 140 °F.

Figure 4.3 – Appareil à débit horizontal



**EMPLACEMENT D'INSTALLATION**

Les appareils portant les codes de puissance 01, 02, 04, 05 et 10 doivent être installés de façon à ne pas être exposés à des atmosphères potentiellement explosives ou inflammables.

1. Ne pas installer les appareils dans des atmosphères où il y a des vapeurs ou des projections de substances corrosives.
2. Vérifiez qu'il n'y a pas d'obstacle devant la prise d'air et la sortie d'air chaud.
3. Les appareils à débit horizontal doivent être montés de façon que les flux d'air chaud balaient les parois exposées du local parallèlement ou obliquement, mais pas perpendiculairement. Les appareils doivent être espacés pour que leurs flux d'air chaud se renforcent les uns les autres. Voir Figure 3.1.
4. Les piliers, machines et autres obstacles ne devraient pas perturber les flux d'air des appareils.
5. Dans les bâtiments exposés à un vent dominant, les appareils devraient être installés de façon à diriger la majeure partie du flux d'air chaud vers le mur situé au vent.
6. Les appareils de chauffage horizontaux à hotte à 90° doivent généralement être placés au centre de l'espace à chauffer. Installer les appareils à débit horizontal sans hotte le long des murs du même bâtiment, là où les pertes de chaleur sont les plus grandes. Voir Figure 3.3.
7. Les appareils à débit horizontal ne devraient pas souffler directement vers les occupants. Les flux d'air de ces appareils devraient être dirigés le long des couloirs, vers le plancher dans les zones ouvertes ou le long des murs extérieurs.
8. Lorsque seuls des appareils à débit horizontal avec hotte à 90° sont installés, ils doivent être placés de sorte que les murs exposés soient recouverts par leur flux d'air. Voir Figure 3.2.
9. Il n'y a aucune restriction sur l'utilisation des unités jusqu'à 3 048 mètres d'altitude.

Figure 3.1 – Disposition pour distribution horizontale

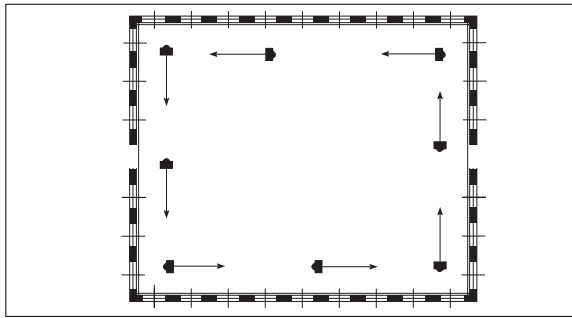


Figure 3.2 – Emplacement des appareils horizontaux avec une hotte à 90° dans des bâtiments étroits

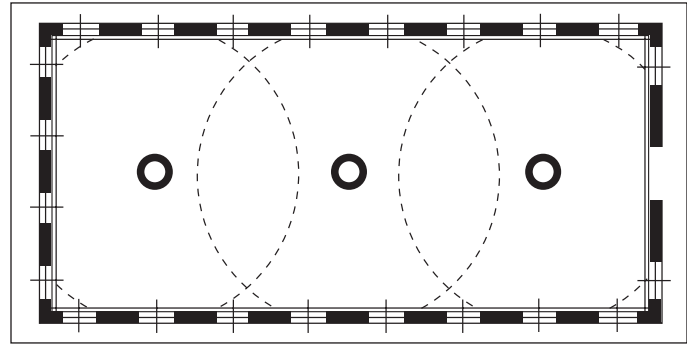
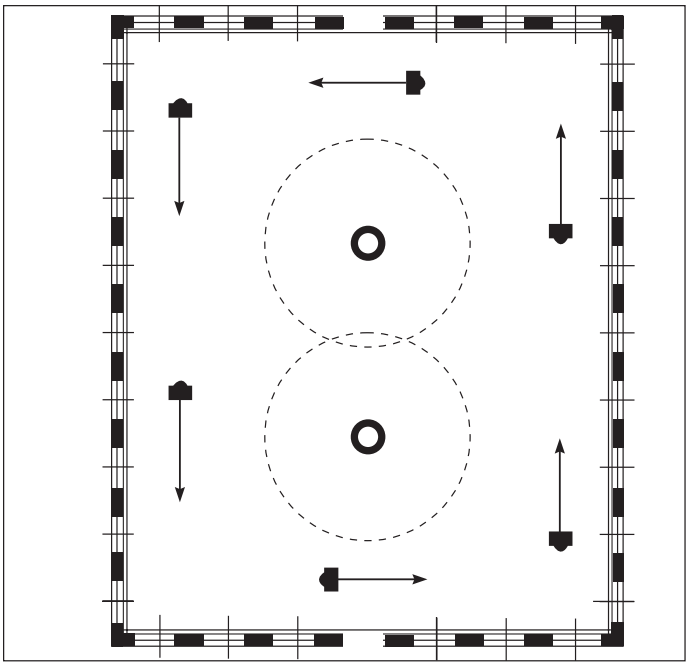


Figure 3.3 – Combinaison d'appareils à débit horizontal et à débit vertical



**MONTAGE DE L'APPAREIL**

**ATTENTION**  
Un protégé-ventilateur résistant aux doigts est requis pour les installations où le bas de l'unité est à moins de 8 pieds du sol

Ne pas installer l'appareil plus haut que les hauteurs maximum recommandées. La hauteur de montage de l'appareil est un aspect critique. Les hauteurs maximum de montage sont indiquées pour les divers modèles dans le Tableau 4.1 et les dimensions correspondantes sont données sur les Figures 4.3 et 4.4. Pour les modèles horizontaux, les hauteurs maximum de montage sont données au Tableau 4.1 sont basées sur en option. Les données du Tableau 4.1 sont basées sur les conditions de fonctionnement suivantes : arrivée d'eau à 140 °F ou admission d'air à 60 °F. Pour des conditions différentes, il faut appliquer un facteur de correction de hauteur maximum qui est donné à la Figure 4.2. Pour calculer la hauteur maximum de montage dans les conditions réelles, multiplier la hauteur donnée au Tableau 4.1 par le facteur de la Figure 4.2. La hauteur de montage maximale est le niveau pour lequel l'air chaud de l'appareil n'atteint plus le plancher dans les conditions normales d'utilisation.

**Montage du déflecteur**

Si un déflecteur en option est commandé, il sera toujours livré séparément et devra être fixé à l'appareil avant sa suspension. Des volets verticaux pour les appareils horizontaux peuvent aussi être ajoutés et positionnés avant l'installation. Consulter les instructions de montage fournies avec chaque déflecteur.

CONVERSION SI (MÉTRIQUES)

PRÉCAUTIONS PARTICULIÈRES

LES INSTRUCTIONS D'INSTALLATION ET D'ENTRETIEN DE CE MANUEL DOIVENT ÊTRE OBSERVÉES POUR ASSURER UN FONCTIONNEMENT SÉCURITAIRE, EFFICACE ET FIABLE. DE PLUS, LES PRÉCAUTIONS PARTICULIÈRES CI-APRÈS DOIVENT ÊTRE RIGOREUSEMENT RESPECTÉES. SINON, IL Y AURAIT RISQUE DE DÉGÂTS MATÉRIELS OU DE PERTE, DE BLESSURE PERSONNELLE OU DE MORT D'HOMME. CES INSTRUCTIONS SONT SUBORDONNÉES À DES DISPOSITIONS PLUS RESTRICTIVES DES CODES PROVINCIAL OU NATIONAL.

HIERARCHIE DES NIVEAUX DE RISQUES

- DANGER** : Indique un danger imminent qui, s'il n'est pas évité, entraînera ASSURÉMENT des blessures graves, voire mortelles.
- AVERTISSEMENT** : Indique un danger potentiel qui, s'il n'est pas évité, RISQUE d'entraîner des blessures graves, voire mortelles.
- ATTENTION** : Indique un danger potentiel qui, s'il n'est pas évité, PEUT entraîner des blessures mineures ou modérées.
- IMPORTANT** : Indique une situation qui, si elle se matérialise, PEUT entraîner des risques pour la sécurité des personnes.

**DANGER**

Les appareils portant les codes de puissance 01, 02, 04, 05 et 10 doivent être installés de façon à ne pas être exposés à des atmosphères potentiellement explosives ou inflammables.

**AVERTISSEMENT**

- Débranchez l'alimentation avant d'effectuer des branchements pour éviter tout risque d'électrocution et d'endommagement de l'appareil.
- Tous les branchements et câblages doivent être faits en stricte conformité avec le schéma fourni avec l'appareil. Tout câblage différent de celui du schéma peut créer des risques de dommages matériels ou de blessures.
- Tout câblage d'usine d'origine exigeant un remplacement doit être remplacé par un câble d'indice thermique nominal de 105 °C.
- Pour l'entretien et les réparations de cet appareil, n'utilisez que des pièces d'origine certifiées par l'usine. Pour la liste complète des pièces de rechange, consultez la Modine Manufacturing Company. Le numéro de modèle complet, le numéro de série et l'adresse du fabricant figurent sur la plaque signalétique fixée à l'appareil. Toute substitution de pièce ou de commande non approuvée par Modine sera aux risques du propriétaire.

TABLEAU 2.1 - FACTEURS DE CONVERSION SI (SYSTÈME MÉTRIQUE)

Pour convertir	Multipliez par	Pour convertir	Multipliez par	Pour convertir	Multipliez par
"C.E.	0,249	KPa	m	FT	0,305
°F (-32) x 5/9	°C	gal/h	0,00379	m <sup>3</sup> /h	gal/h
BTU	1,06	KJ	l	gal/h	3,79
BTU/PI	37,3	KJ/m <sup>3</sup>	l	gal/h	3,79
CFH (PI/h)	0,000472	m <sup>3</sup> /min	W	cheval-vapeur	746
CFM (PI <sup>3</sup> /min)	0,0000787	m <sup>3</sup> /s	mm	poüces	25,4
CFM (PI <sup>3</sup> /min)	0,0283	m <sup>3</sup> /min	kg	livre	0,454
CFM (PI <sup>3</sup> /min)	0,000472	m <sup>3</sup> /s	KPa	psig	6,89
			po C.E.	psig	27,7

**ATTENTION**

- Un protégé-ventilateur résistant aux doigts est requis pour les installations où le bas de l'unité est à moins de 8 pieds du sol. Une agence d'installation et de service qualifiée doit effectuer toute l'installation et l'entretien de ces appareils, et l'utilisation de ce manuel est uniquement et spécifiquement destinée à cet usage.
- Ne jamais réutiliser un composant électrique qui a été atteint par l'eau. Remplacer le composant.
- S'assurer que la tension d'alimentation n'est pas inférieure de plus de 5 % à la tension nominale inscrite sur la plaque de l'appareil.
- Les appareils de chauffage ont été conçus pour une utilisation dans les applications de chauffage à l'eau chaude où la température ambiante est comprise entre 0 et 100 °F.

**IMPORTANT**

- Cet appareil n'est pas destiné à être utilisé par des personnes (y compris des enfants) ayant des capacités physiques, sensorielles ou mentales réduites, ou un manque d'expérience et de connaissances, à moins qu'elles n'aient reçu une surveillance ou des instructions concernant l'utilisation de l'appareil par une personne responsable de leur sécurité. Les enfants doivent être surveillés pour s'assurer qu'ils ne jouent pas avec l'appareil.
- Les procédures de démarrage et de réglage doivent être confiées à un centre de SAV qualifié.
- Pour essayer la plupart des solutions possibles suggérées dans le guide de dépannage (Tableau 11.1), reportez-vous aux sections correspondantes du manuel.

Table des matières

Renseignements généraux..... 1

Précautions spéciales..... 2

Facteurs de conversion métrique (SI)..... 2

Emplacement d'installation..... 3

Montage de l'appareil..... 3-4

Performances nominales..... 5-6

Dimensions..... 6

Suspension de l'appareil..... 7

Installation..... 8

Tuyauterie..... 8

Branchements électriques..... 8

Mode d'emploi..... 8

Avant la mise en service..... 8

Mise en service..... 8

Fonctions de régulation automatique..... 8

Généralités..... 9

Maintenance..... 10

Maintenance et dépannage..... 11

Garantie..... Page arrière

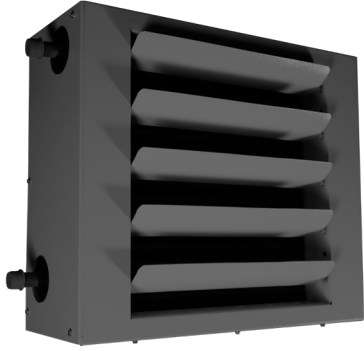
## MANUEL D'INSTALLATION ET D'ENTRETIEN appareils de chauffage à l'eau chaude basse température



Les moteurs sont calculés pour un service continu. Ils peuvent fonctionner à une température ambiante maximum de 104 °F (40 °C).

Le numéro de modèle de chaque appareil de chauffage indique sa capacité nominale en BTU/h et une température d'entrée de l'air de 1000 °F (537 °C). Par exemple, un HCH 67 produit 67 000 BTU/h à une température d'entrée d'eau de 140 °F (60 °C) et une température d'entrée d'air de 60 °F (15 °C).

Entrée et sortie sur le côté du modèle HCH à débit horizontal



## IMPORTANT

Une agence d'installation et de service qualifiée doit effectuer toute l'installation et l'entretien de ces appareils, et l'utilisation de ce manuel est uniquement et spécifiquement destinée à cet usage.

### Inspection à la réception

1. L'appareil doit être inspecté à la livraison. En cas de dégâts, prévenez immédiatement le transporteur et votre représentant commercial local.
2. Vérifiez la plaque signalétique pour déterminer si les caractéristiques de l'appareil correspondent au secteur électrique disponible au point d'installation.
3. Inspectez l'appareil reçu pour vérifier qu'il est conforme à la description du produit commandé (y compris aux spécifications, s'il y a lieu).

### Renseignements généraux

Les instructions d'installation et d'entretien contenues dans ce manuel s'appliquent aux appareils de chauffage à l'eau chaude basse température qui devraient être installés selon leurs applications spécifiques de chauffage au plafond de façon à assurer le meilleur rendement possible. Les serpents en cuivre sont garantis pour des pressions d'eau chaude de 150 psig et/ou des températures de 180 °F (82 °C) maximum. Les exigences de l'Association canadienne de normalisation (ACNOR) stipulent que les appareils antidéflagrants ne peuvent pas être utilisés avec une température de liquide supérieure à 329 °F (165 °C) et maintenir leur indice antidéflagration, pour un indice de température d'inflammation du code électrique national T3B pour la poussière céréalière.

CE MANUEL DOIT ÊTRE REMIS AU PROPRIÉTAIRE DE L'INSTALLATION.

N'OUBLIEZ PAS DE LE LAISSER AU PROPRIÉTAIRE EN QUITTANT LE CHANTIER.