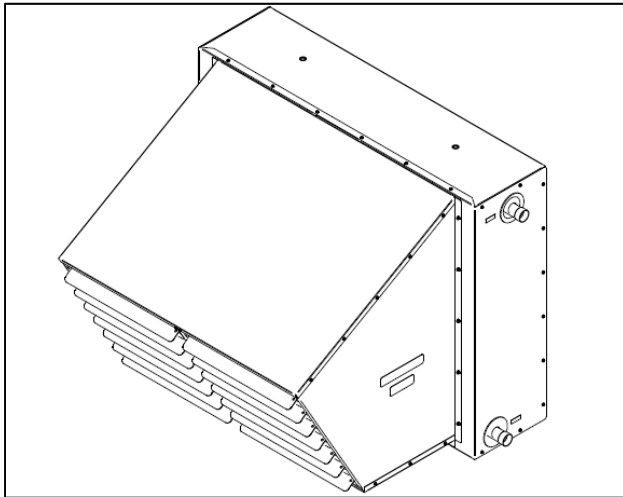


INSTALLATION INSTRUCTIONS

30°, 60°, and 90° downward deflector hoods

Lodronic™ Models HCH

– ACCESSORY DOWNWARD DEFLECTOR HOOD



IMPORTANT

1. The use of this manual is specifically intended for a qualified installation and service agency. All installation and service of these kits must be performed by a qualified installation and service agency.
2. These instructions must also be used in conjunction with the Installation and Service Manual originally shipped with the appliance, in addition to any other accompanying component supplier literature.

Deflector Hood Model Application

The 30°, 60° and 90°, Downward Deflector Hoods are designed for use on Lodronic™ hydronic unit heaters.

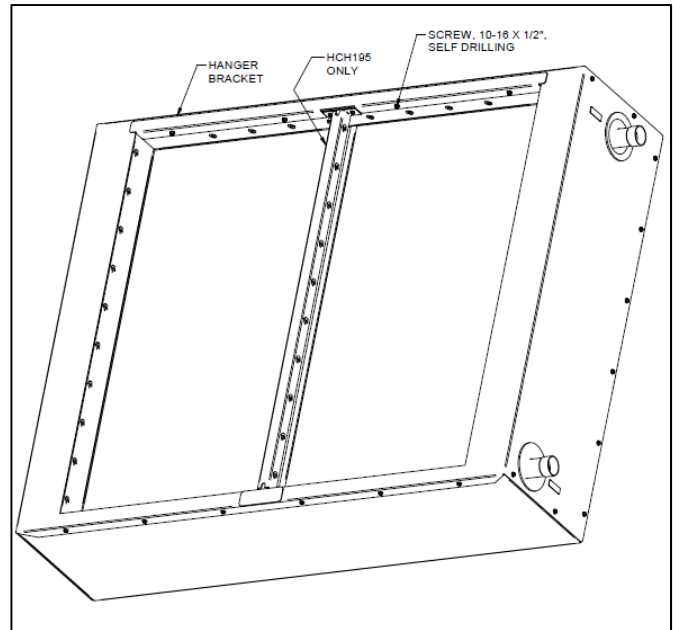
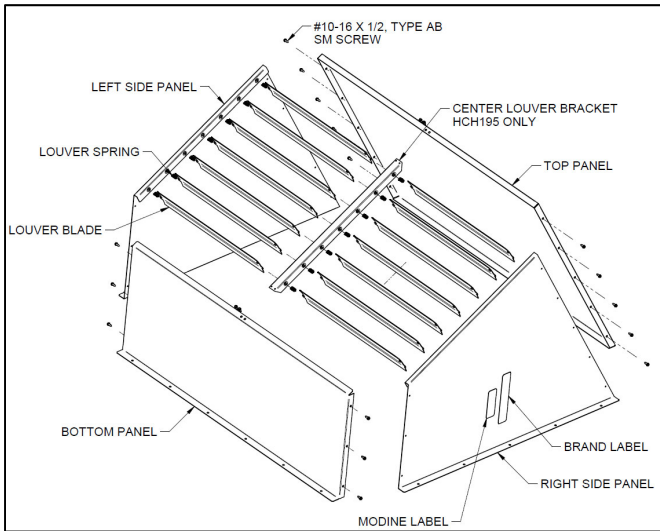
Assembly/Installation

The recommended procedure for assembly and installation is described as follows:

Before beginning installation of the accessory hood, remove all of the spring loaded louver blades from the unit heater on which the hood is to be installed. These blades will be relocated in the face of the hood assembly after the hood assembly is complete (except 90° hoods). Not all blades from the unit heater will be used on the hood, but all should be removed prior to installing the hood. For 90° hoods, separate louvers will ship with the hood assembly. To remove the spring loaded louver blades, grasp the blade and apply pressure against the louver blade retaining spring. After compressing the spring, the tab on the opposite side of the blade can be removed from the unit, freeing the blade from the unit.

Note: Do not lose the louver blade retaining springs as they will be required later to install the blades into the hood assembly.

Figure 2.1 - Hood Exploded View



1. Install the hood hanger bracket to the top interior surface of the unit opening (see figure 2.2), using the #10 x 1/2" self drilling screws provided. Dimples located at the top of the opening will provide locating points to secure the bracket. Once the bracket is installed, ensure that there is a small gap between the hanger bracket and the front face of the unit. A screwdriver or similar tool may be required if adjustment needs to take place to create a gap.

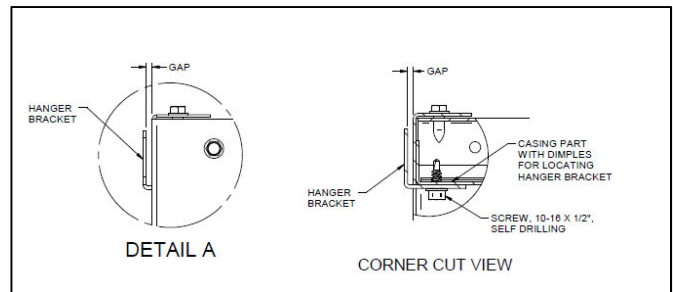
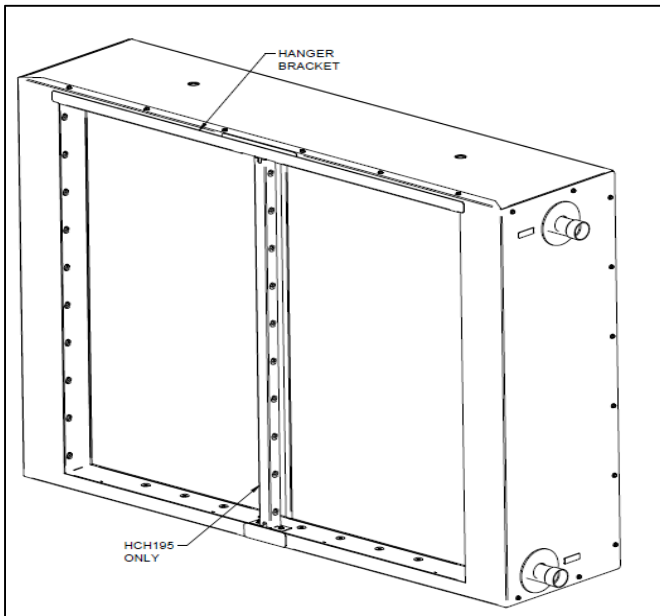


Figure 2.2 – Hanger Bracket



2. Hood assembly is generally easiest if done with the surfaces of the hood panels with flanges facing the floor. Begin the hood assembly by positioning the hood bottom so that the flanges are on the outside of a side panel. Attach the bottom panel to the side panel of the hood using the #10 x 1/2" sheet metal screws through the provided holes. Repeat for the other side panel.
3. Position the hood top so that the flanges are on the outside of the side panels. Secure the hood to the side panels using the #10 x 1/2" sheet metal screws through the provided holes.
4. Complete the hood frame by using the #10 x 1/2" sheet metal screws through provided holes on the outlet surface of the hood. Install the center louver channel if provided.
5. Install the louvers taken from the unit (or provided with the kit for 90° hoods). Take the louver springs used on the unit, and place them over the tab of the louver. Press the tab into the hood panel dimple, compressing the spring. Slide the tab on the other end of the louver into the dimple.
6. Provided Modine and Lodronic labels can be placed as desired on the exterior of the hood.

INSTALLATION – VERTICAL DEFLECTOR BLADES

Figure 2.3 – Placing Hood on Unit

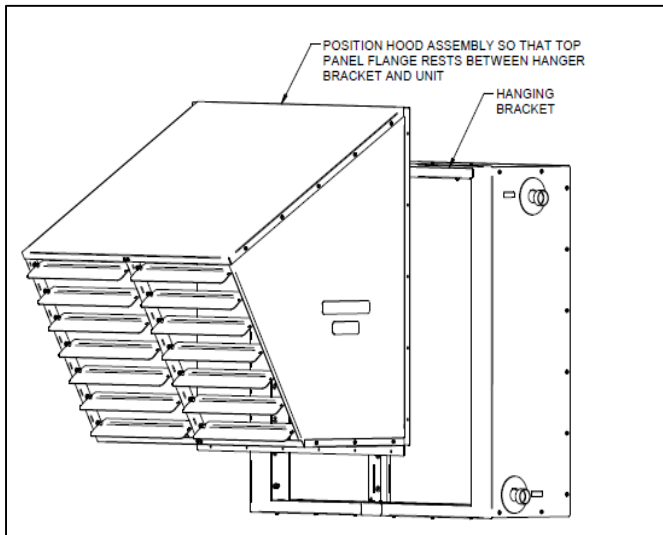
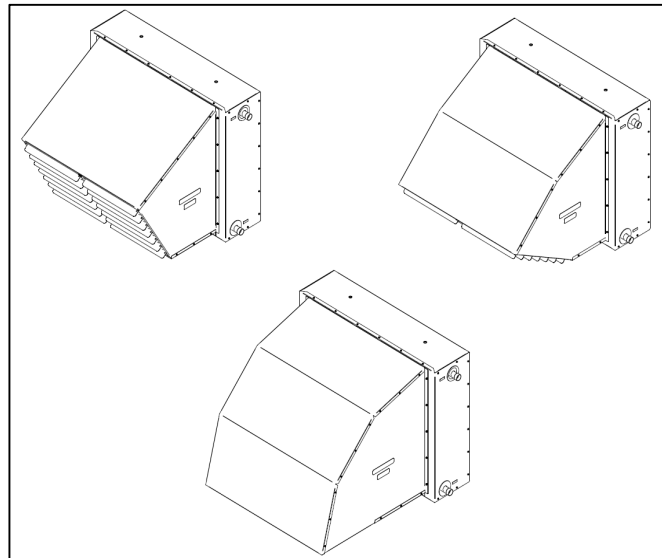


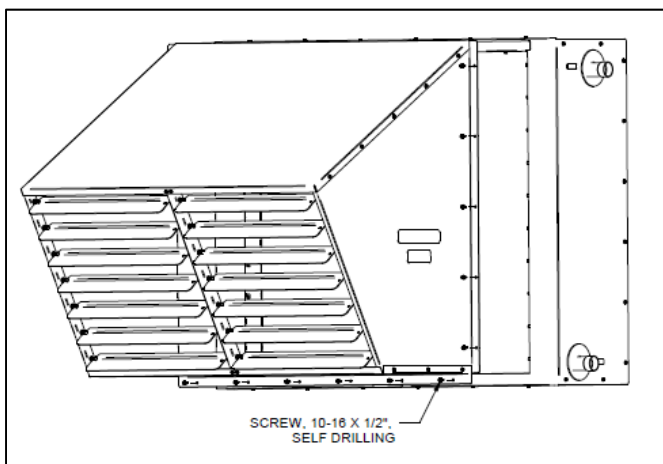
Figure 2.5 – Completed Hood Assembly



7. Grasp the hood assembly by the bottom panel or through the opening. Lifting it slightly above the opening of the unit, press the flanged surface of the hood against the front panel of the unit. Using caution, slowly lower the hood so that the lip of the top panel drops into the gap between the hanger bracket (installed in step 2) and the front face of the unit. The hood is now secure. Make sure the hood is centered on the unit.

Note: Larger hoods used on the HCH 170 and 195 should be put in place using a person on either side of the hood to prevent undue strain.

Figure 2.4 – Fastening Hood to Unit



8. Using the provided #10 x 1/2" self drilling screws, secure the hood to the unit through the clearance holes in the side and bottom flanges.
9. Position louvers as desired to direct airflow from the unit.



© Modine Manufacturing Company 2019

Modine Manufacturing Company
1500 DeKoven Avenue
Racine, WI 53403
Phone: 1.800.828.4328 (HEAT)
www.modine.com