

# Vertical Concentric Vent Installation Supplement

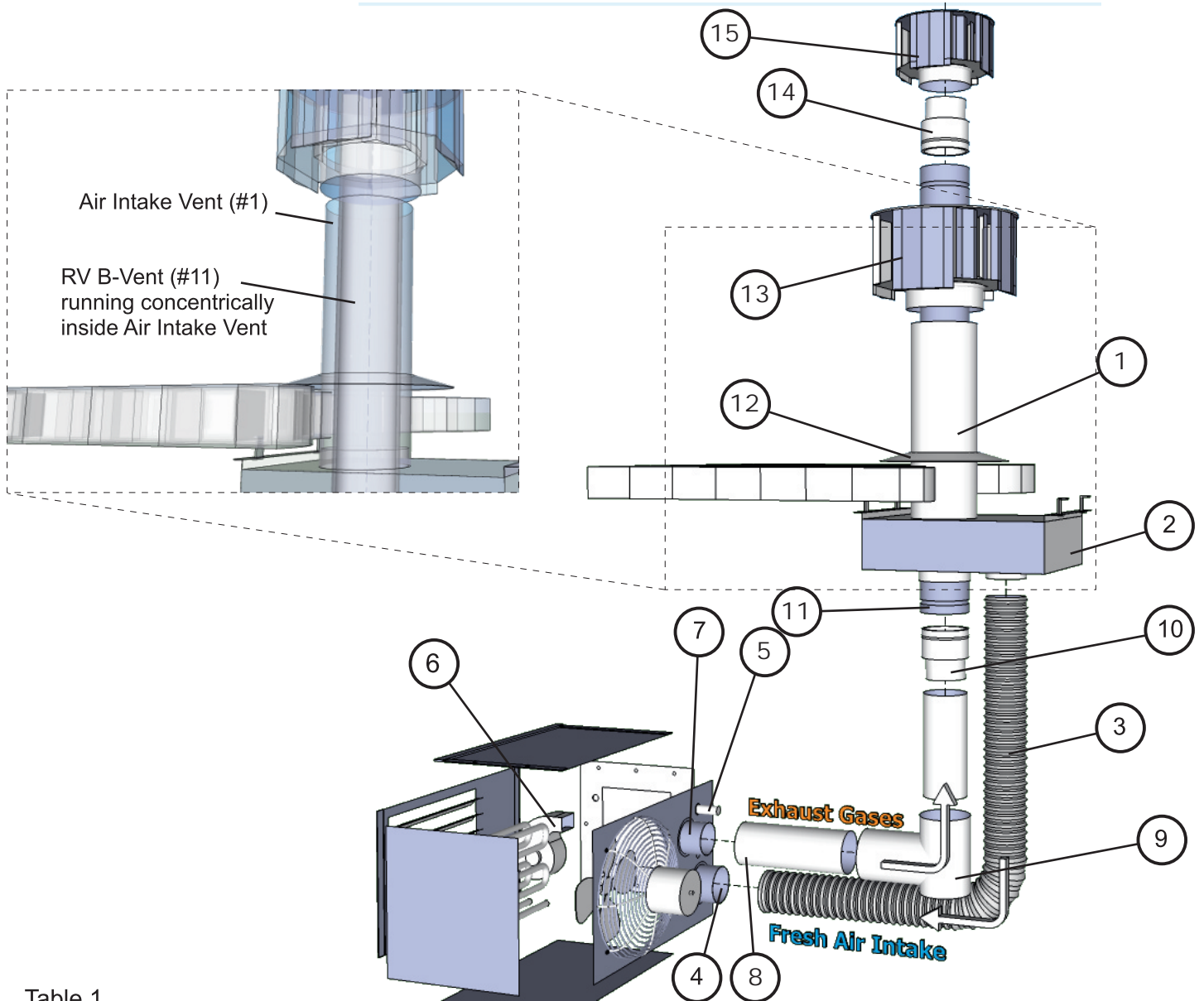
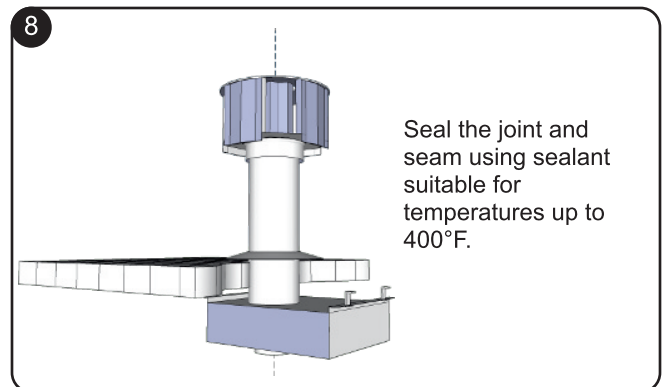
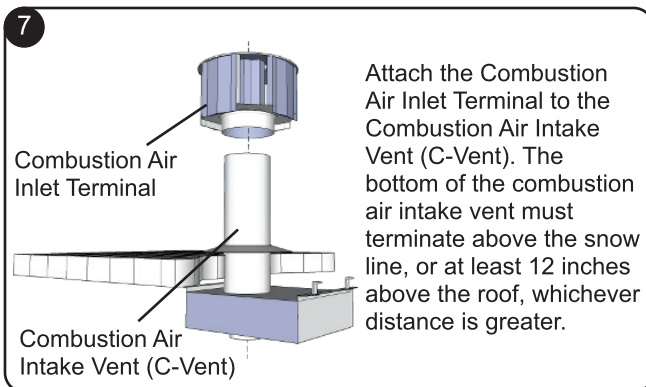
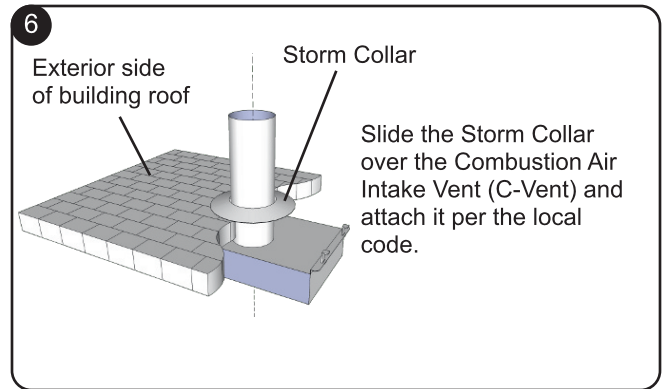
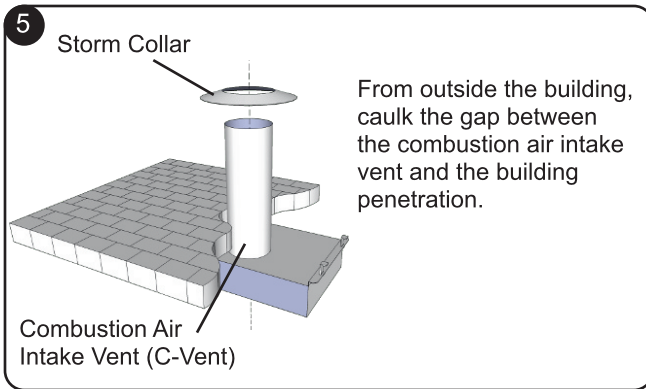
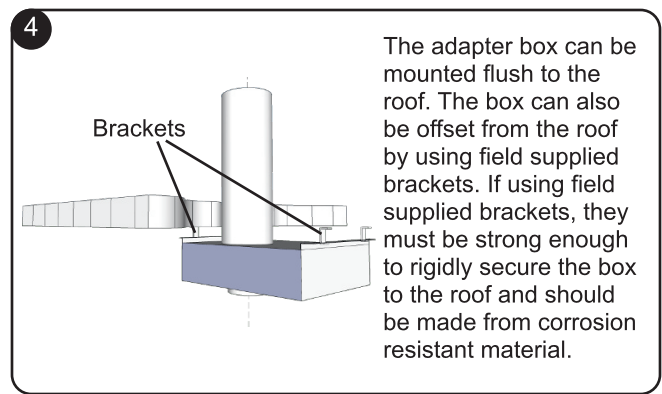
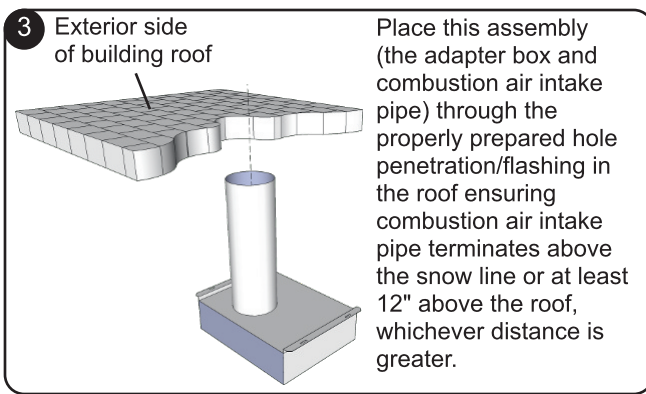
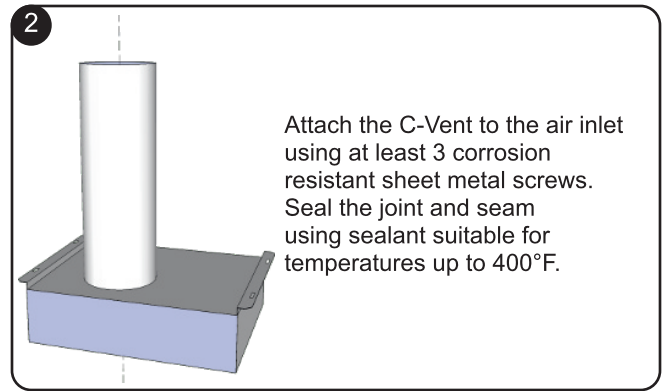
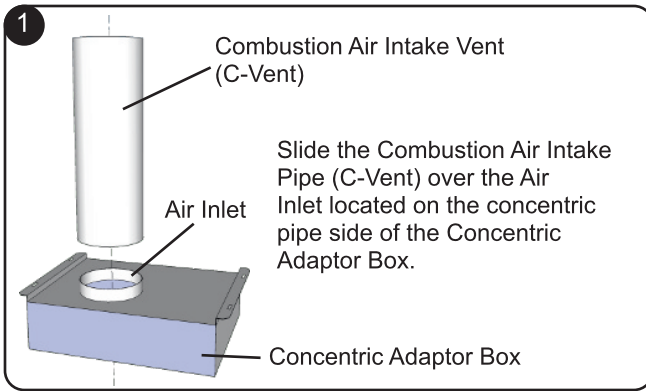


Table 1

| Number | Description                                   | Number | Description   |
|--------|---|--------|---|
| 1      | Air Intake Vent Pipe (C-Vent) <sup>3</sup>    | 9      | Tee with Drip Leg & Cleanout Cap <sup>3</sup>           |
| 2      | Vertical Concentric Vent Box                  | 10     | Draft Hood Connector (C - B) <sup>3</sup>               |
| 3      | Aluminum Flex Pipe (or C-Vent) <sup>3,5</sup> | 11     | Type RV B-Vent (Double-Wall, ¼" Air Gap) <sup>3,4</sup> |
| 4      | Combustion Air Inlet Pipe Connection          | 12     | Flashing (field supplied) <sup>3</sup>                  |
| 5      | Gas Pipe                                      | 13     | Combustion Air Inlet Terminal                           |
| 6      | Power Exhauster                               | 14     | Reverse Draft Hood Connector (B - C) <sup>3</sup>       |
| 7      | Vent Pipe Connection <sup>1</sup>             | 15     | Exhaust Vent Cap  |
| 8      | C-Vent <sup>2,3</sup>                         |        |   |

- 1 HDS models 30-45 are factory supplied with 3"-4" vent adapters for attaching the exhaust & air intake pipe to the heater.
- 2 Horizontal sections of vent pipe are to be installed with a minimum downward slope from the appliance of ¼ inch per foot.
- 3 All C-Vent, B-Vent, Aluminum Flex Pipe and accessories are field supplied and installed.
- 4 Follow the link on last page for availability and P/N's of Selkirk Type "RV" B-Vent components.
- 5 Aluminum Flex Pipe (per local authority) &/or C-Vent, suggested 26 ga.

# Vertical Concentric Vent Installation Supplement



# Vertical Concentric Vent Installation Supplement

**9**

Attach the Draft Hood Connector (C - B) to the Type RV B-Vent (Double-Wall, ¼" air gap) and the C-Vent (vertical section) to the Draft Hood Connector (C - B). Attach the Tee with Drip Leg & Cleanout Cap to the C-Vent (horizontal section).

Labels: Tee with Drip Leg & Cleanout Cap, RV B-Vent (Double-Wall, ¼" air gap), Draft Hood Connector (C - B), C-Vent, Exhaust Gases, Fresh Air Intake

**10**

Insert the assembly (Type RV B-Vent {Double-Wall, ¼" air gap}, Draft Hood Connector (C - B) and C-Vent) through the hole on the non-concentric pipe side of the Concentric Adaptor Box to pass concentrically between the Air Intake Vent Pipe (C-Vent) and appear above the Combustion Air Inlet Terminal.

Labels: Concentric Adaptor Box, Exhaust Gases, Fresh Air Intake

**11**

Attach the assembly (C-Vent and Tee with Drip Leg & Cleanout Cap) to the bottom end of the assembly (Type RV B-Vent (Double-Wall, ¼" air gap), Draft Hood Connector (C - B) and C-Vent). Horizontal sections of vent pipe are to be installed with a minimum downward slope from the appliance of ¼" per foot and suspended securely from overhead structures at points not greater than 3' apart.

Labels: RV B-Vent (Double-Wall, ¼" air gap), Tee with Drip Leg & Cleanout Cap, Draft Hood Connector (C - B), C-Vent, Exhaust Gases, Fresh Air Intake

**12**

Connect the Combustion Air Inlet Pipe Connection of the unit heater with the Concentric Adaptor Box using Aluminum Flex Pipe or C-Vent.

Labels: Aluminum Flex Pipe (or C-Vent), Exhaust Gases, Fresh Air Intake

**13**

Attach the Reverse Draft Hood Connector (B - C) to the Type RV B-Vent (double-wall, ¼ inch air gap).

Labels: Reverse Draft Hood Connector (B - C), RV B-Vent (Double-Wall, ¼" air gap), Exhaust Gases, Fresh Air Intake

**14**

Attach the Exhaust Vent Cap to the Reverse Draft Hood Connector (B - C).

Labels: Exhaust Vent Cap, Reverse Draft Hood Connector (B - C), Combustion Air Inlet Terminal, Exhaust Gases, Fresh Air Intake

**15**

The bottom of the Exhaust Vent Cap must terminate at least 6" above the top of the Combustion Air Inlet Terminal.

Labels: Exhaust Vent Cap, Combustion Air Inlet Terminal, Exhaust Gases, Fresh Air Intake

Refer to Table 2 on the next page for B-Vent, C-Vent and Concentric Adaptor Box dimensions recommended for corresponding unit heater model #s.

All seams and joints must be sealed with either tape, silicone sealant, or other appropriate sealants suitable for metal to metal contact and for temperatures up to 400° F. If using tape, wrap it two full turns around the vent pipe.

A minimum of 12" straight pipe is recommended from the flue outlet before turns in the vent pipe.

# Vertical Concentric Vent Installation Supplement

Fig 1 - Vertical Concentric Venting Outdoor Clearances

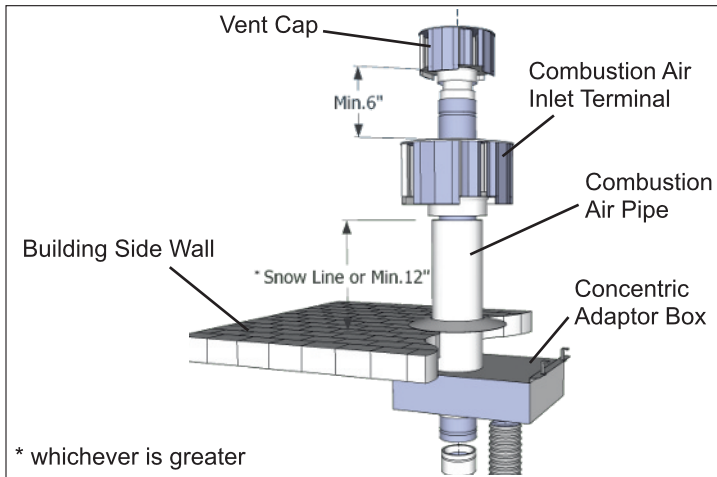


Fig 2 - Adaptor Box with Combustion Air Intake Pipe Attached

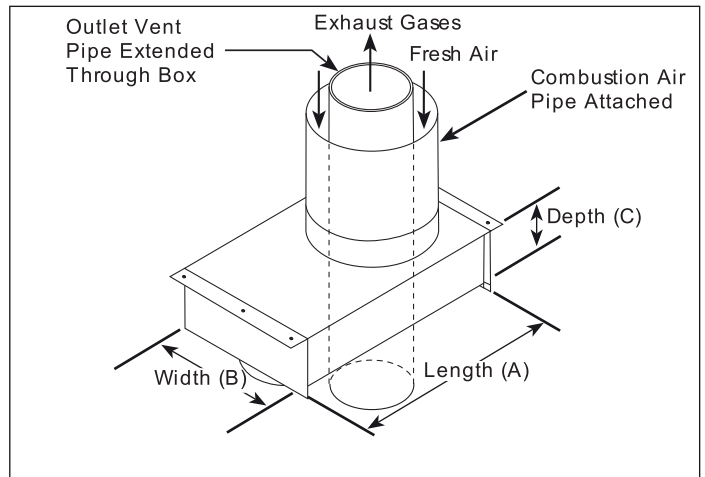


Table 2

| Model #   | BTU/hr  | Exhaust Pipe (C-Vent) | B-Vent Pipe* ID | B-Vent Pipe* OD | Combustion Air Pipe (C-Vent) | Concentric Adaptor Box Length (A) | Concentric Adaptor Box Width (B) | Concentric Adaptor Box Depth (C) |
|-----------|---------|-----------------------|-----------------|-----------------|------------------------------|-----------------------------------|----------------------------------|----------------------------------|
| HDS / HDC | 30-125  | 4"                    | 4"              | 4.5"            | 6"                           | 18.84"                            | 13.33"                           | 4.57"                            |
| PTS / BTS | 150-200 | 4"                    | 4"              | 4.5"            | 6"                           | 18.84"                            | 13.33"                           | 4.57"                            |
| PTS / BTS | 250-400 | 6"                    | 6"              | 6.5"            | 8"                           | 15.27"                            | 17.00"                           | 4.57"                            |

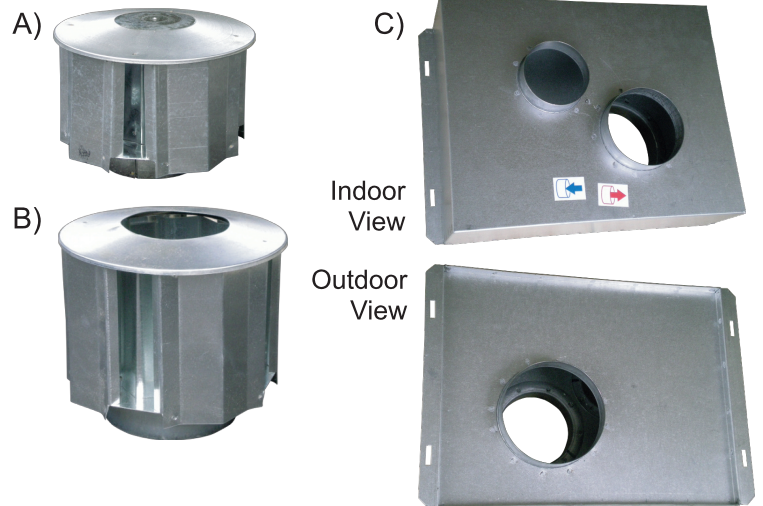
\* For reference, Selkirk Type "RV" B-Vent (inner liner - aluminum, outer casing - galvanized, 1/4" air gap). Scan the QR code on the right with your smart phone to view the Selkirk Type "RV" B-Vent web page (<http://www.selkirkcorp.com/supervent/Product.aspx?id=70>).



**Vertical Concentric Vent Kit Components & Part #s:**

- A) Exhaust Vent Cap
- B) Combustion Air Inlet Terminal
- C) Concentric Adaptor Box

|                    |       |        |         |
|--------------------|-------|--------|---------|
| <b>Model Size:</b> | 30-45 | 60-200 | 250-400 |
| <b>Acc Code:</b>   | 33356 | 33356  | 33357   |



**Disclaimer:** This supplement is not an authorized document from Modine Manufacturing. It is strictly a supplement to assist in understanding how the concentric kit is assembled. Please refer to manufacturer's Installation & Operations Manual for detailed instructions.