

## SUBMITTAL DATA

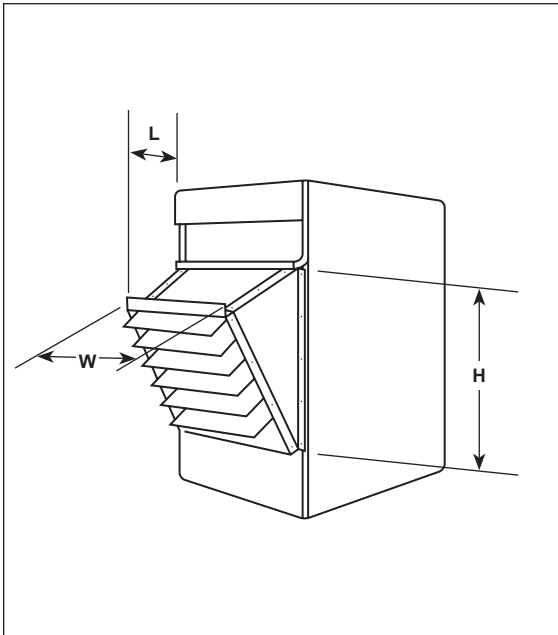
### 30, 60, 90 degree downward deflector hoods

Modine 30, 60, and 90 degree downward deflector hoods are designed for use with Modine gas-fired propeller and blower unit heaters. The applicable models are shown in the tables below.

All deflector hoods are constructed of 20 gauge, cold rolled steel, which has been pre-treated prior to the application of a grey-green baked on polyester powder paint.

The deflector hoods are shipped knocked down for field assembly and installation.

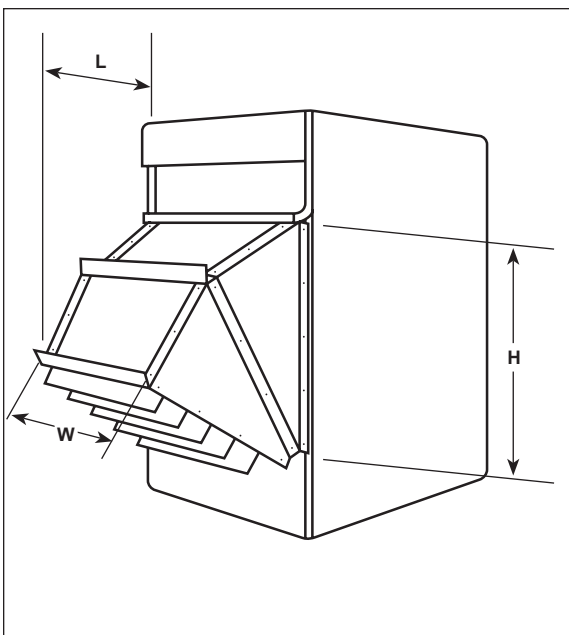
**Figure 1.1**  
**Standard 30° Hood**



**Table 1.1**  
**Standard 30° Hood Dimensions (inches)**

Hood Item Code	Models Used On	Height (H)	Length (L)	Width (W)	Approx. Shipping Weight (Lb.)
91640	PD/BD/PDP/BDP 50	13-1/4	7-3/8	16-1/4	5
91641	PD/BD/PDP/BDP 75	16-1/4	8-7/8	16-1/4	5
91642	PD/BD/PDP/BDP 100	16-1/4	8-7/8	18-1/4	6
27959	PD/BD/PDP/BDP 125	20-1/4	10-7/8	18-1/4	7
91643	PD/BD/PDP/BDP 150	20-1/4	10-7/8	20	7
91644	PD/BD/PDP/BDP 175 PSH/BSH 130	20-1/4	10-7/8	22-1/2	7
91645	PD/BD/PDP/BDP 200-250 PSH/BSH 150-170	24-1/4	12-7/8	24-5/8	9
91646	PD/BD/PDP/BDP 300 PSH/BSH 225	24-1/4	12-7/8	27-5/8	10
91647	PD/BD/PDP/BDP 350 PSH/BSH 280	24-1/4	12-7/8	32-5/8	11
91648	PD/BD/PDP/BDP 400 PSH/BSH 340	24-1/4	12-7/8	39	12

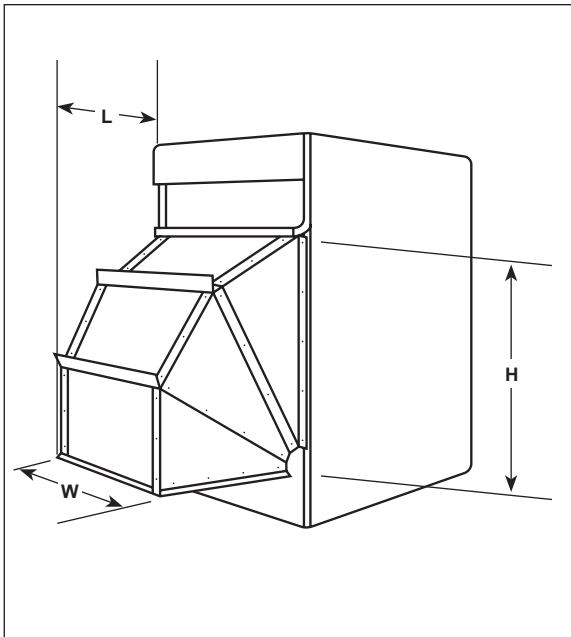
**Figure 1.2**  
**Standard 60° Hood**



**Table 1.2**  
**Standard 60° Hood Dimensions (inches)**

Hood Item Code	Models Used On	Height (H)	Length (L)	Width (W)	Approx. Shipping Weight (Lb.)
91649	PD/BD/PDP/BDP 50	13-7/8	12-3/4	16-1/4	9
91650	PD/BD/PDP/BDP 75 PV/BV 50	16-7/8	15-3/8	16-1/4	9
91651	PD/BD/PDP/BDP 100	16-7/8	15-3/8	18-1/4	10
27958	PD/BD/PDP/BDP 125	20-7/8	18-3/4	18-1/4	12
91652	PD/BD/PDP/BDP 150	20-7/8	18-3/4	20	12
91653	PD/BD/PDP/BDP 175 PSH/BSH 130	20-7/8	18-3/4	22-1/2	13
91654	PD/BD/PDP/BDP 200-250 PSH/BSH 150-170	24-7/8	22-1/4	24-5/8	16
91655	PD/BD/PDP/BDP 300 PSH/BSH 225	24-7/8	22-1/4	27-5/8	18
91656	PD/BD/PDP/BDP 350 PSH/BSH 280	24-7/8	22-1/4	32-5/8	20
91657	PD/BD/PDP/BDP 400 PSH/BSH 340	24-7/8	22-1/4	39	22

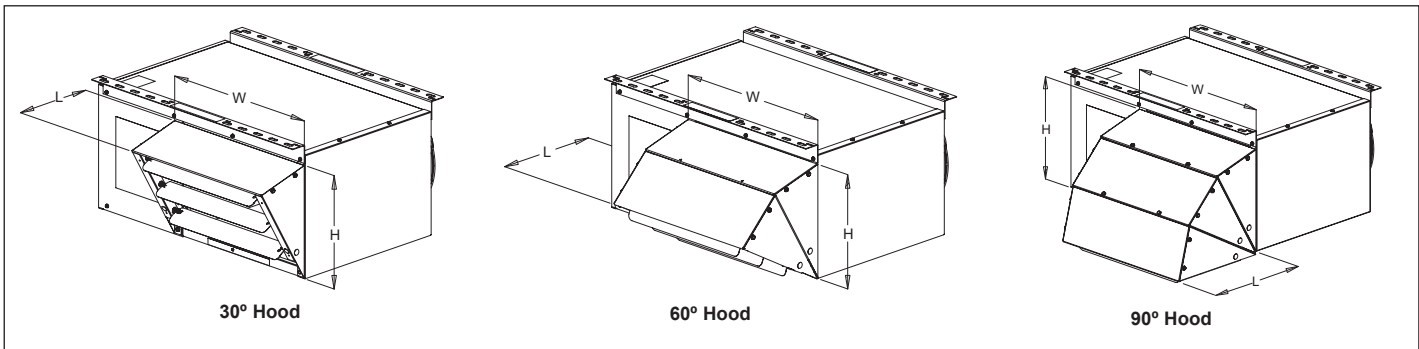
**Figure 2.1**  
Standard 90° Hood



**Table 2.1**  
Standard 90° Hood Dimensions (inches)

Hood Item Code	Models Used On	Height (H)	Length (L)	Width (W)	Approx. Shipping Weight (Lb.)
91658	PD/BD/PDP/BDP 50	14-3/4	14-5/8	16-1/4	12
91659	PD/BD/PDP/BDP 75	17-3/4	17-5/8	16-1/4	12
91660	PD/BD/PDP/BDP 100	17-3/4	17-5/8	18-1/4	13
27957	PD/BD/PDP/BDP 125	21-3/4	21-5/8	18-1/4	16
91661	PD/BD/PDP/BDP 150	21-3/4	21-5/8	20	17
91662	PD/BD/PDP/BDP 175 PSH/BSH 130	21-3/4	21-5/8	22-1/2	18
91663	PD/BD/PDP/BDP 200-250 PSH/BSH 150-170	25-3/4	25-5/8	24-5/8	23
91664	PD/BD/PDP/BDP 300 PSH/BSH 225	25-3/4	25-5/8	27-5/8	25
91665	PD/BD/PDP/BDP 350 PSH/BSH 280	25-3/4	25-5/8	32-5/8	29
91666	PD/BD/PDP/BDP 400 PSH/BSH 340	25-3/4	25-5/8	39	32

**Figure 2.2**  
Low Profile Downward Deflector Hoods



**Table 2.2**  
Low Profile Downward Deflector Hood Dimensions (inches)

Hood Kit Item Code	Models Used On	Number of Kits Required	Hood Deflection Angle	Height (H)	Length (L)	Width (W)	Approx. Operating Weight (Lb.)	Approx. Shipping Weight (Lb.)
48594	HD/HDS 30 HD/HDS 45	1	30	5.67	16.91	11.04	3	5
482594	HD/HDS 30 HD/HDS 45	2	60	9.73	16.91	11.04	5	10
448594	HD/HDS 30 HD/HDS 45	3	90	11.15	16.91	11.04	8	15
48595	HD/HDS 60 HD/HDS 75	1	30	8.72	16.91	17.05	5	7
48595	HD/HDS 60 HD/HDS 75	2	60	14.97	16.91	17.05	9	14
48595	HD/HDS 60 HD/HDS 75	3	90	17.15	16.91	17.05	13	21