

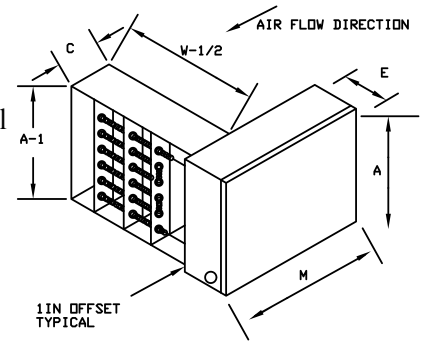
# PD Series Packaged Duct Heater

## Standard Features



Intertek

- Galvanized Steel Element Rack - Always 1" shorter than duct height and 1/2" shorter than duct width to allow insertion clearance
- Galvanized Steel Compartment with 1/2" fiberglass Insulation & Hinged Cover
- Door Interlock Disconnect Switch
- Primary Automatic Reset Temp Limiting Control
- Load Carrying Secondary over Temperature Protective Device(s)
- Definite Purpose Magnetic Contactor(s)
- Differential Pressure Fan Inter-lock Switch
- Step Down Control Transformer / 24 Volt
- Permanently Attached Wiring Diagram on inside of Terminal Compartment Cover
- Made in U.S.A.



## Standard Models

MFG CATALOG NUMBER	MFG MODEL NUMBER	KW	POWER VOLTS/ PHASE	DUCT WIDTH W	DUCT HEIGHT A	DIMENSIONS			AMPS	CONTROL STEPS	WT. (LBS)
						C	E	M			
06170002	PD5-128-1	5	240-1	12	8	4.75	6.5	26	20.9	1	22
06170102	PD10-1810-1	10		18	10	4.75	6.5	28	41.7	2	37
06170202	PD15-1812-1	15		18	12	4.75	6.5	27	62.5	2	33
06170302	PD20-2012-1	20		20	12	9.125	7.5	31	83.3	2	37
06170402	PD25-2016-1	25		20	16	9.125	7.5	38	104.2	3	56
06170502	7PD2-128-1	2	277-1	12	8	4.75	6.5	26	7.2	1	21
06170602	7PD3.5-128-1	3.5							12.6		
06170702	7PD5-128-1	5							18.1		
06170802	8PD5-128-3	5	208-3	12	8	4.75	6.5	26	13.9	1	22
06170902	8PD10-1810-3	10		18	10	4.75	6.5	22	27.8	1	27
06171002	8PD15-1812-3	15		18	12	9.125	6.5	25	41.7	1	32
06171102	8PD15-1812-2-3	15		18	12	9.125	6.5	28	41.7	2	34
06171202	8PD20-2012-3	20		20	12	9.125	6.5	40	55.6	2	39
06171302	8PD25-2016-3	25		20	16	9.125	6.5	29	69.5	2	58
06171402	8PD30-2416-2-3	30		24	16	9.125	7.5	29	83.4	2	65
06171502	8PD30-2416-3	30		24	16	9.125	7.5	35	83.4	3	60
06174302	8PD35-2416-3	35		24	16	9.125	7.5	35	97.3	3	65
06173202	8PD40-2416-3	40		24	16	9.125	7.5	43	111.2	3	75
06173302	8PD45-3016-3	45		30	16	9.125	7.5	43	125.1	3	80
06173402	8PD50-3016-3	50		30	16	9.125	7.5	43	139	3	85
06171602	PD5-128-3	5		240-3	12	8	4.75	6.5	26	12.1	1
06171702	PD10-1812-3	10	18		10	4.75	6.5	22	24.1	1	26
06171802	PD15-1812-1-3	15	18		12	4.75	6.5	20	36.2	1	30
06171902	PD15-1812-2-3	15	18		12	9.125	6.5	26	36.2	2	33
06172002	PD20-2012-3	19.9	20		12	9.125	6.5	28	47.9	2	39
06172102	PD25-2016-3	25	20		16	9.125	6.5	39	60.2	2	57
06172202	PD30-2416-2-3	30	24		16	4.75	6.5	25	72.3	2	57
06172302	PD30-2416-3-3	30	24		16	9.125	6.5	35	72.3	3	65
06173502	PD35-2416-3	35	24		16	9.125	7.5	35	84.3	3	65
06173602	PD40-2416-3	40	24		16	9.125	7.5	35	96.3	3	75
06173702	PD45-3016-3	45	30		16	9.125	7.5	43	108.4	3	80
06173802	PD50-3016-3	49.8	30		16	9.125	7.5	43	120	3	85
06172402	4PD5-128-3	5	480-3		12	8	4.75	6.5	26	6.1	1
06172502	4PD10-1810-3	10		18	10	4.75	6.5	22	12.1	1	26
06172602	4PD15-1812-3	15		18	12	4.75	6.5	20	18.1	1	30
06172702	4PD15-1812-2-3	15		18	12	9.125	6.5	26	18.1	2	34
06172802	4PD20-2012-3	20		20	12	9.125	6.5	26	24.1	2	39
06172902	4PD25-2016-3	25		20	16	9.125	6.5	22	30.1	2	58
06173002	4PD30-2416-2-3	30		24	16	4.75	6.5	18	36.2	2	65
06173102	4PD30-2416-3-3	30		24	16	9.125	6.5	24	36.2	3	65
06173902	4PD35-2416-3	35		24	16	9.125	6.5	26	42.2	3	65
06174002	4PD40-2416-3	39.9		24	16	9.125	6.5	40	48.1	3	75
06174202	4PD50-3016-3	50		30	16	9.125	6.5	36	60.2	3	85