

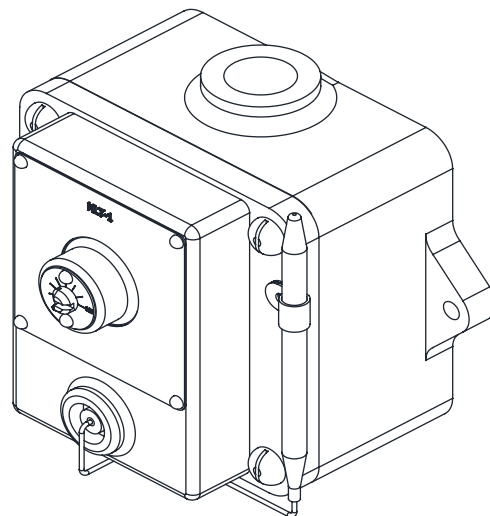


MADE IN
THE U.S.A.

HLT SERIES

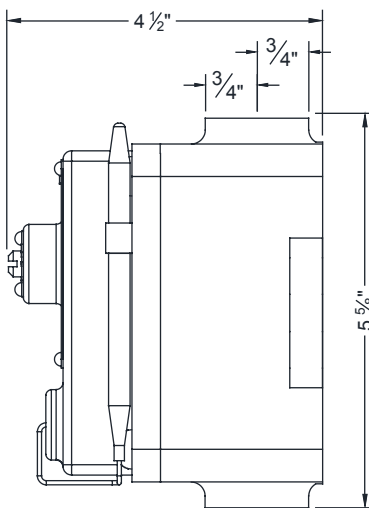
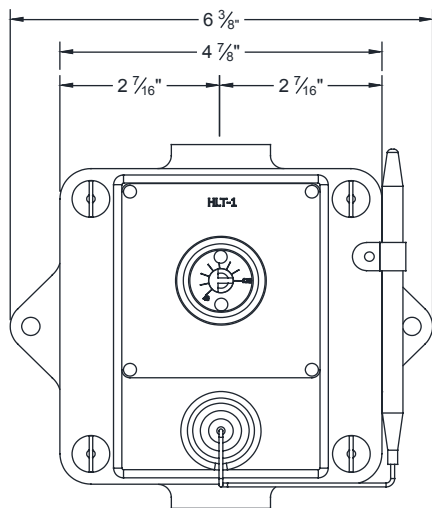
Hazardous Location Thermostats

CUSTOMER		DATE:	
PROJECT			
LOCATION			
ARCHITECT			
ENGINEER			
CONTRACTOR			
SUBMITTED			
APPROVED BY			
APPROVED BY			



Features:

- SPDT Models
- DPDT Models
- Snap Action Switches
- Casting Tapped Top & Bottom for 3/4" Conduit
- Capillary Temperature Sensor
- 1/2" Thick Aluminum Explosion/ Dust Proof Case
- Includes (1) 3/4" to 1/2" Conduit Adapter
- Includes (1) Conduit Plug
- Screw Terminal Connections



Operational Specifications:

Setpoint Temperature Range

40-110°F

Rated Differential

2-4°F

Voltage

125-277VAC, pilot duty

AMP Rating

22 amps, Resistive Max

Approvals

Class I Group C&D

Class II Group E, F & G

NEMA Class Seven Div I



MODEL	PCN #	DESCRIPTION	VOLTAGE	AMPS	POSITIVE OFF	ANTICIPATOR
HLT-1	05231502	SPDT Hazardous Location	125-277VAC	22 Amps Max	No	No
HLT-2	05231602	DPDT Hazardous Location	125-277VAC	22 Amps Max	No	No