

3450/AFH SERIES

INSTALLATION INSTRUCTIONS

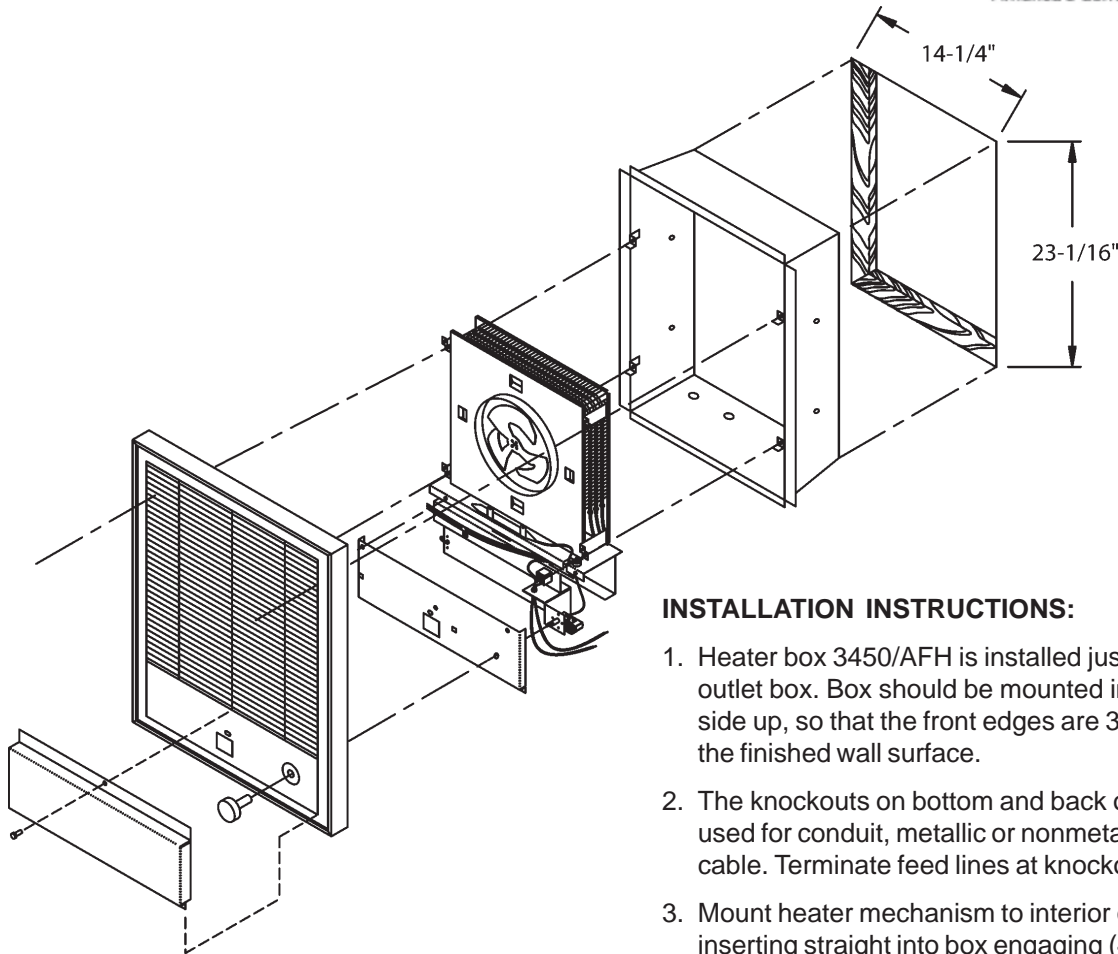
Recessed Mounting 3450/AFH Series

ATTENTION: Read carefully
before attempting to install,
operate or service the heater.



TPI Corporation
P.O. Box 4973
Johnson City, TN
37602-4973

America's Comfort Conditioning Company



INSTALLATION INSTRUCTIONS:

1. Heater box 3450/AFH is installed just like ordinary outlet box. Box should be mounted in the wall - top side up, so that the front edges are $3/16$ " away from the finished wall surface.
2. The knockouts on bottom and back of box can be used for conduit, metallic or nonmetallic armored cable. Terminate feed lines at knockout.
3. Mount heater mechanism to interior of box by inserting straight into box engaging (4) lower tabs on interior mounting brackets with (4) tabs on wall box. Secure with (5) screws supplied. (4) in mounting bracket tabs. (1) in lower voltage supply area.
4. Mount protective control cover to chassis with (4) screws provided.
5. Mount front to chassis at top with (2) trapped allen screws and at bottom to protective control panel with (2) loose allen head screws provided.
6. Mount tamper proof panel to front with (1) pan head allen screw provided.

Thermal Cutout operation shown on reverse page.

GENERAL SAFETY INFORMATION / CAUTION:

- Mount in vertical position only.
- Do not install any closer than 12" to any vertical surface or 12" to floor.
- Do not mount beneath towel racks or behind doors.
- Heater must have no obstructions in front of it.
- Make certain power supply is same as nameplate voltage on heater.
- All wiring must conform to the National Electric Code and existing local code requirements.

Form 9348

IMPORTANT: OWNER SHOULD RETAIN THESE INSTRUCTIONS FOR FUTURE REFERENCE

3450/AFH SERIES

Surface Mounting
Semi-Recessed Mounting
3450/AFH Series

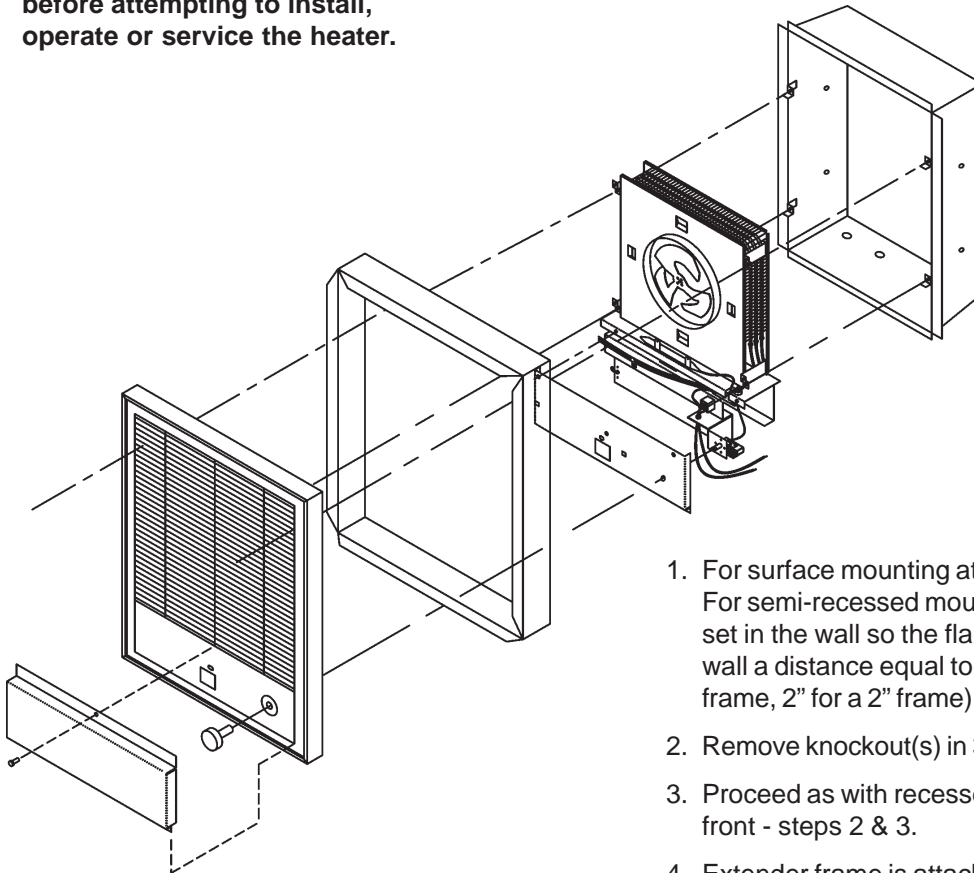
ATTENTION: Read carefully
before attempting to install,
operate or service the heater.

INSTALLATION INSTRUCTIONS



TPI Corporation
P.O. Box 4973
Johnson City, TN
37602-4973

America's Comfort Conditioning Company



GENERAL SAFETY INFORMATION / CAUTION:

- Mount in vertical position only.
- Do not install any closer than 12" to any vertical surface or 12" to floor.
- Do not mount beneath towel racks or behind doors.
- Heater must have no obstructions in front of it.
- Make certain power supply is same as nameplate voltage on heater.
- All wiring must conform to the National Electric Code and existing local code requirements.

INSTALLATION INSTRUCTIONS:

- For Surface Mounting use extender 3450/AFH EX34.
- For Semi-Recessed Mounting use extender 3450/AFH EX16 for 2", 3450/AFH EX8, for 1".
- Box 3450/AFH must be used in conjunction with accessory extender.

1. For surface mounting attach 3450/AFH box to wall. For semi-recessed mounting 3450/AFH box should be set in the wall so the flange is out from the finished wall a distance equal to the frame depth (1" for a 1" frame, 2" for a 2" frame).
2. Remove knockout(s) in 3450/AFH as required.
3. Proceed as with recessed installation described on front - steps 2 & 3.
4. Extender frame is attached to heater front (slip fit) and this assembly is then attached to the heater following step 4 on front. Frame is captured between heater front and finished wall.

THERMAL CUTOUT OPERATION

(ZERO-VOLT) LIMIT CONTROL

To reset thermal cutout disconnect all power for 5 minutes then energize unit. If fault continues disconnect power and check for cause.

(CAPILLARY) LIMIT CONTROL

To reset thermal cutout disconnect all power, when heater has cooled locate the two 1/4" dia. holes in the control panel behind the louvers on the front grille. Using a small screwdriver or pencil press the reset button (with minimal amount of force) through the 1/4" dia. opening, then restore power to the unit. If fault continues disconnect power and check for cause.

Form 9348
REV. 2/06

IMPORTANT: OWNER SHOULD RETAIN THESE INSTRUCTIONS FOR FUTURE REFERENCE