

# PRODUCT INFORMATION PACKET

Model No: 5KH35LNB164

Catalog No: HG456

Hazardous Duty® Explosion Proof Motor, 0.17 HP, 1 Ph, 60 Hz, 115 V, 1800 RPM, 48 Frame, EPNV



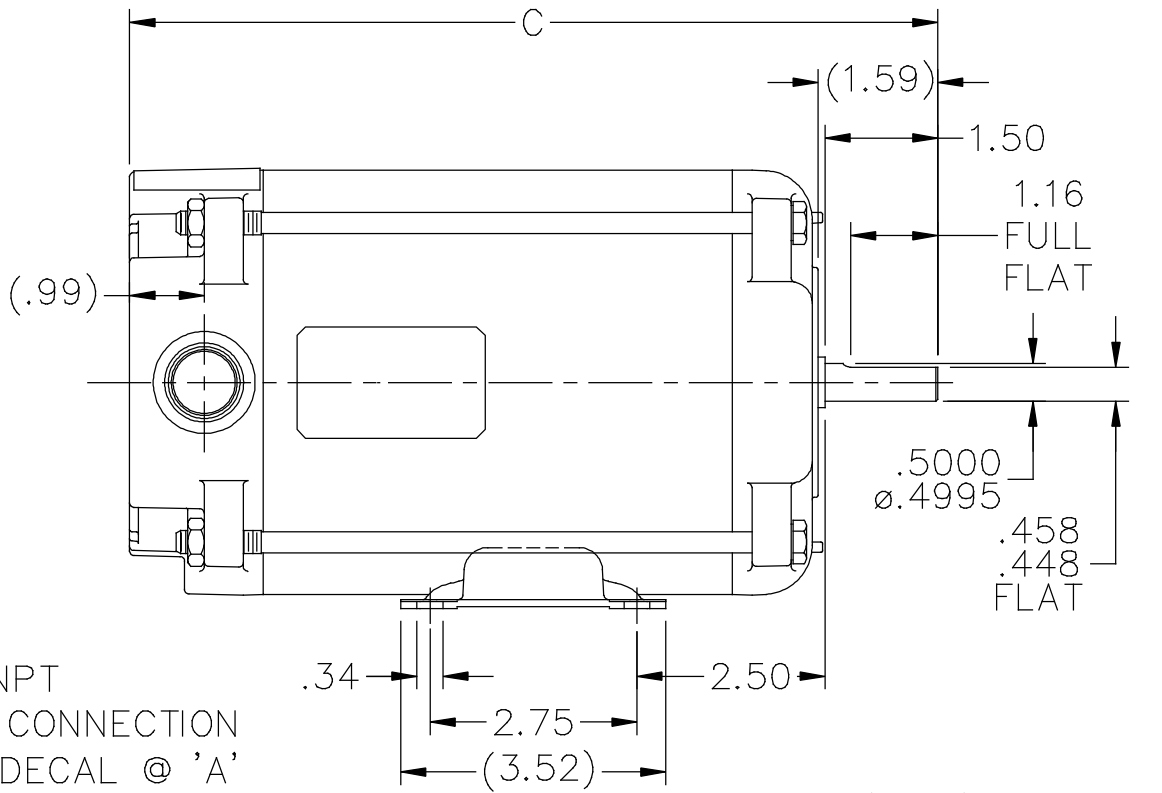
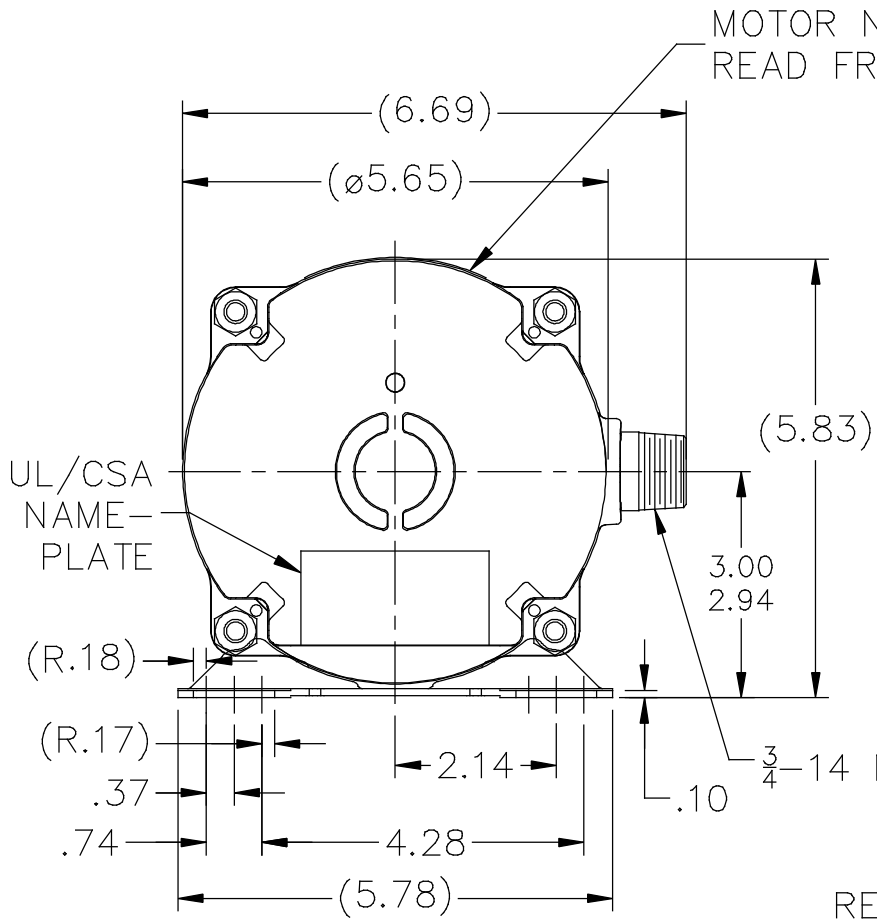
Regal and Marathon are trademarks of Regal Rexnord Corporation or one of its affiliated companies.  
©2025 Regal Rexnord Corporation, All Rights Reserved. MC017097E

### Nameplate Specifications

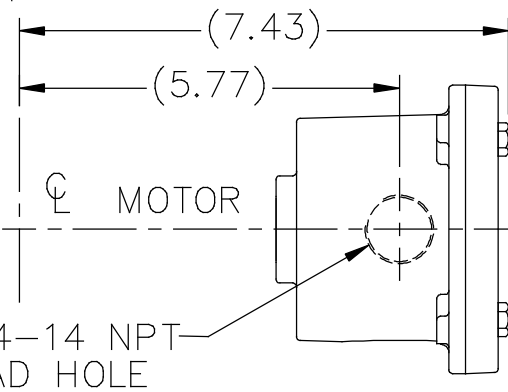
Phase	1	Output HP	0.17 Hp
Output KW	0.13 kW	Voltage	115 V
Speed	1725 rpm	Service Factor	1.0
Frame	48	Enclosure	Explosion Proof Non Ventilated
Thermal Protection	Automatic	Efficiency	62 %
Ambient Temperature	40 °C	Frequency	60 Hz
Current	3.3 A	Power Factor	63
Duty	Continuous	Insulation Class	A
Design Code	NO DESIGN CODE	KVA Code	T
Drive End Bearing Size	6203	Opp Drive End Bearing Size	6203
UL	UL Listed And CSA Certified	CSA	Y
CE	N	IP Code	54
Number of Speeds	1	Hazardous Location	EXP PROOF CL I GR D CL II GR F&G T3B

### Technical Specifications

Electrical Type	Split Phase	Starting Method	Across The Line
Poles	4	Rotation	Selective Counterclockwise
Resistance Main	0 Ohms	Mounting	Rigid Base
Motor Orientation	Horizontal	Drive End Bearing	Ball
Opp Drive End Bearing	Ball	Frame Material	Rolled Steel
Shaft Type	NEMA 48	Overall Length	10.31 in
Frame Length	5.80 in	Shaft Diameter	0.500 in
Shaft Extension	1.59 in	Assembly/Box Mounting	F1 ONLY
Outline Drawing	A-SS403455GE-580	Connection Drawing	A-EE7116K-GE




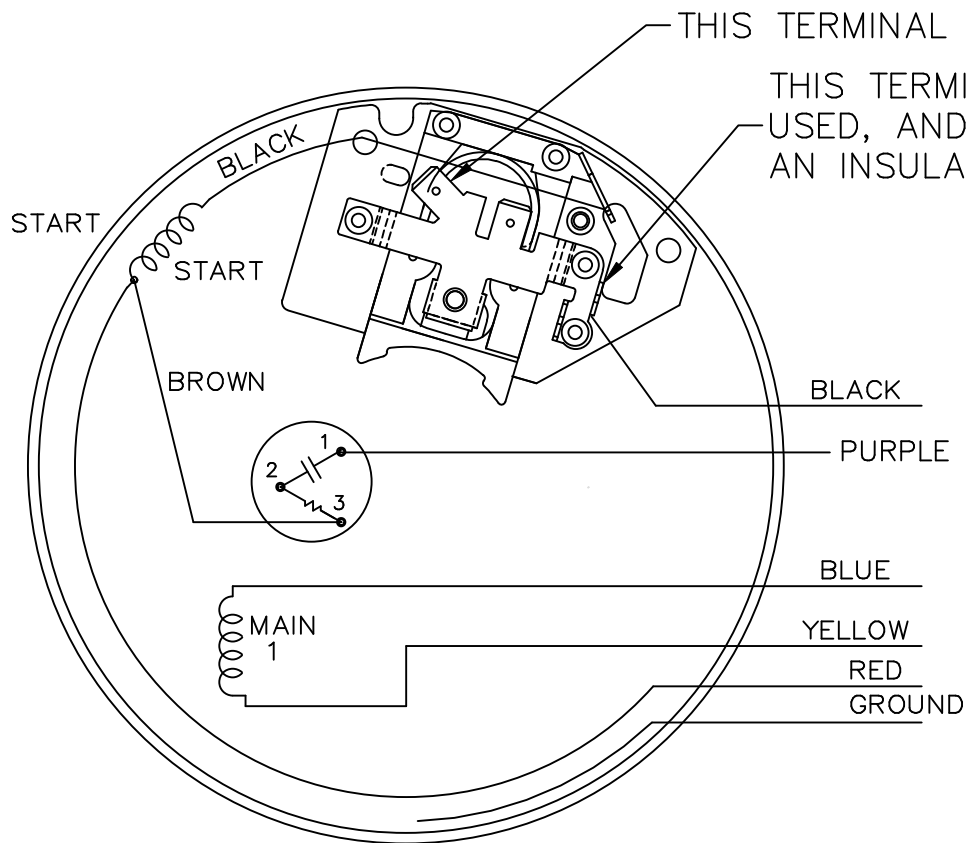
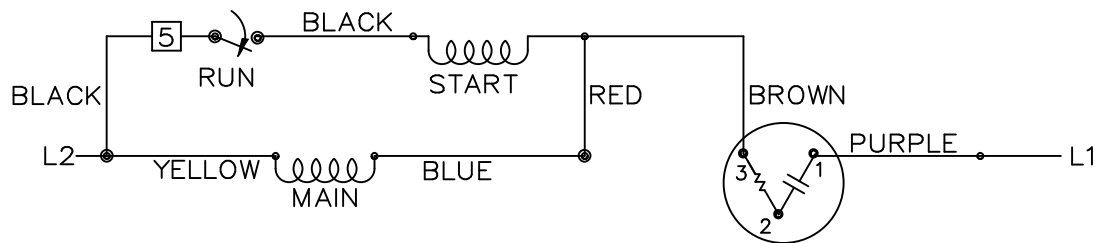
VIEW OF CONDUIT BOX



LEAD DESCRIPTION: 1 BLACK, 1 PURPLE, 1 BLUE,  
1 GREEN, 1 YELLOW, AND 1 RED ALL EXITING A  
SEALED PIPE NIPPLE, 26" LONG.

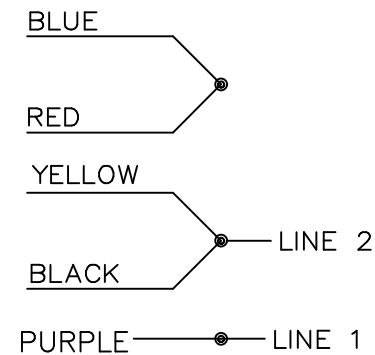
DASH	C
517	9.68
580	10.31
623	10.74

NO.	REVISION	BY & DATE	CHK	TOLERANCES UNLESS SPECIFIED		FINISH	DRAWN RWR 03-15-2005
				DEC.	INCHES		
3	ADDED VIEW OF COND BOX INSTALL ISAAC 12-5139	WGJ 03-05-2013	DD	.X	±.1	 <b>REGAL-BELOIT CORPORATION</b> TITLE OUTLINE 48 FRAME - XP MAT'L. FINISH	CHK ML 03-18-2005
2	CHG. LEADS FROM 6" TO 26" CN39528	RWR 08/26/2005	ML	.XX	±.03		APPD MJS 03-21-2005
1	ADD UL/CSA AND MOTOR NAMEPLATES, CHANGED	MJK 04/29/2005		.XXX	±.005		SCALE 3=8
	STUDS TO OVERBOLTS CN 46061			.XXXX	±.0005		REF A-SS403455
							FMF
							PREV
THIS DRAWING IN DESIGN AND DETAIL IS OUR PROPERTY AND MUST NOT BE USED EXCEPT IN CONNECTION WITH OUR WORK ALL RIGHTS OF DESIGN AND INVENTION ARE RESERVED THIS IS AN ELECTRONICALLY GENERATED DOCUMENT - DO NOT SCALE THIS PRINT				RFP 03-21-2005	CAD FILE ss403455ge	SIZE A	DRAWING NO. PAGE 1 OF 1 REV. SS403455GE 3
				DIST WP			




SINGLE VOLTAGE  
WITH OVERLOAD  
PROTECTION  
SELECT ROTATION

LOW VOLT. CCW ROT.



FOR CW ROT.  
INTERCHANGE BLUE  
WITH YELLOW LEAD.

- A-S4CU1
- A-S6A4
- A-S4A2

6	CORRECT ARROW DIR ON SWITCH SCHEMATIC CN 46225	MJK 10/13/2005		TOLERANCES UNLESS SPECIFIED		 <b>REGAL-BELOIT CORPORATION</b>	DRAWN RWR 03-15-2005
5	CHANGED LOGO TO REGAL BELOIT	TAT 09-07-2005	ML	DEC.	INCHES		CHK ML 03-18-2005
4	ADDED WINDING DIAGRAM A-S4CU1 CN 29200-4302	MJK 08/23/2005		.X	±.1		APPD MJS 03-21-2005
3	REVISED DRAWING CN39528	RJW 08-17-2005	ML	.XX	±.02		SCALE 5=8
2	ADDED GROUND LEAD CN 46075	MJK 05/09/2005		.XXX	±.005		REF A-EE7116F
1	ADDED NOTES ABOUT TERMINALS SHOWN	MJK 03/28/2005		.XXXX	±.0005		FMF
NO.	REVISION	BY & DATE	CHK	ANG	±7'30"	FINISH	PREV
THIS DRAWING IN DESIGN AND DETAIL IS OUR PROPERTY AND MUST NOT BE USED EXCEPT IN CONNECTION WITH OUR WORK ALL RIGHTS OF DESIGN AND INVENTION ARE RESERVED THIS IS AN ELECTRONICALLY GENERATED DOCUMENT - DO NOT SCALE THIS PRINT			RFP	03-21-2005	CAD FILE ee7116k_ge	SIZE A	DRAWING NO. PAGE 1 OF 1 REV. EE7116K-GE 6
			DIST	WP			

Generic Customer Submittal Report



CERTIFICATION DATA SHEET

P.O. BOX 8003  
WAUSAU, WI 54401-8003  
PH. 715-675-3311

CUSTOMER: REGAL BELOIT DE MEXICO  
ORDER #: MU130306  
CONN. DIAGRAM: A-EE7116K-GE  
OUTLINE: A-SS403455GE-580  
WINDING #: SE484371

CUSTOMER PO#: 5KH35LNB164 A  
MODEL #: 5KH35LNB164 A  
CUSTOMER PART #: F1 ONLY  
MOUNTING: F1 ONLY

TYPICAL MOTOR PERFORMANCE DATA

HP	kW	SYNC. RPM	F.L. RPM	FRAME	ENCLOSURE	KVA CODE	DESIGN
1/6	0.13	1800	1725	48	EPNV	T	NO DESIGN CODE

PH	Hz	VOLTS	AMPS	START TYPE	DUTY	INSL	S.F.	AMB°C
1	60	115	3.3	ACROSS THE LINE	CONTINUOUS	A	1	40

FULL LOAD EFF:	62	3/4 LOAD EFF:	54	1/2 LOAD EFF:	46.6	GTD. EFF	ELEC. TYPE
FULL LOAD PF:	63(0.63)	3/4 LOAD PF:	56	1/2 LOAD PF:	47.8	57.5	SPLIT PHASE

F.L. TORQUE	LOCKED ROTOR AMPS	L.R. TORQUE	B.D. TORQUE	F.L. RISE°C
24 LB-FT	5.76	105.3 LB-FT	105.3 LB-FT	25

\*\*\* SUPPLEMENTAL INFORMATION \*\*\*

DE BRACKET TYPE	ODE BRACKET TYPE	MOUNT TYPE	ORIENTATION	DUTY	HAZARDOUS LOCATION	DRIP COVER	SCREENS	PAINT
STANDARD	STANDARD	RIGID	HORIZONTAL	FALSE	PROOF CL I GR D CL II GR F&G	FALSE		GRAY - GE (POWDER)

BEARINGS		GREASE	SHAFT TYPE	SPECIAL DE	SPECIAL ODE	SHAFT MATERIAL	ROLLED STEEL
DE	ODE						
BALL	BALL	POLYREX EM	T	NONE	NONE	1144 STRESSPROOF (C-223)	CAST IRON
6203	6203						

THERMO-PROTECTORS				THERMISTORS	CONTROL	SPACE HEATERS
THERMOSTATS	PROTECTORS	WDG RTDs	BRG RTDs			
NONE	AUTOMATIC	NONE	NONE	NONE	FALSE	NONE

\*  
N  
O  
T  
E  
S  
\*

INVERTER TORQUE:	NONE
INV. HP SPEED RANGE:	NONE
ENCODER:	NONE
	NONE
	NONE PPR
BRAKE:	NONE
	NONE P/N NONE
	NONE
	NONE FT-LB NONE V NONE Hz



**MARATHON ELECTRIC CORPORATION**  
TYPICAL PERFORMANCE CURVE for AC MOTOR

Customer

Curve at

460

Volts

HP 0.16

PHASE 1

Model No 5KH35LNB164

60

HZ

VOLTS 115

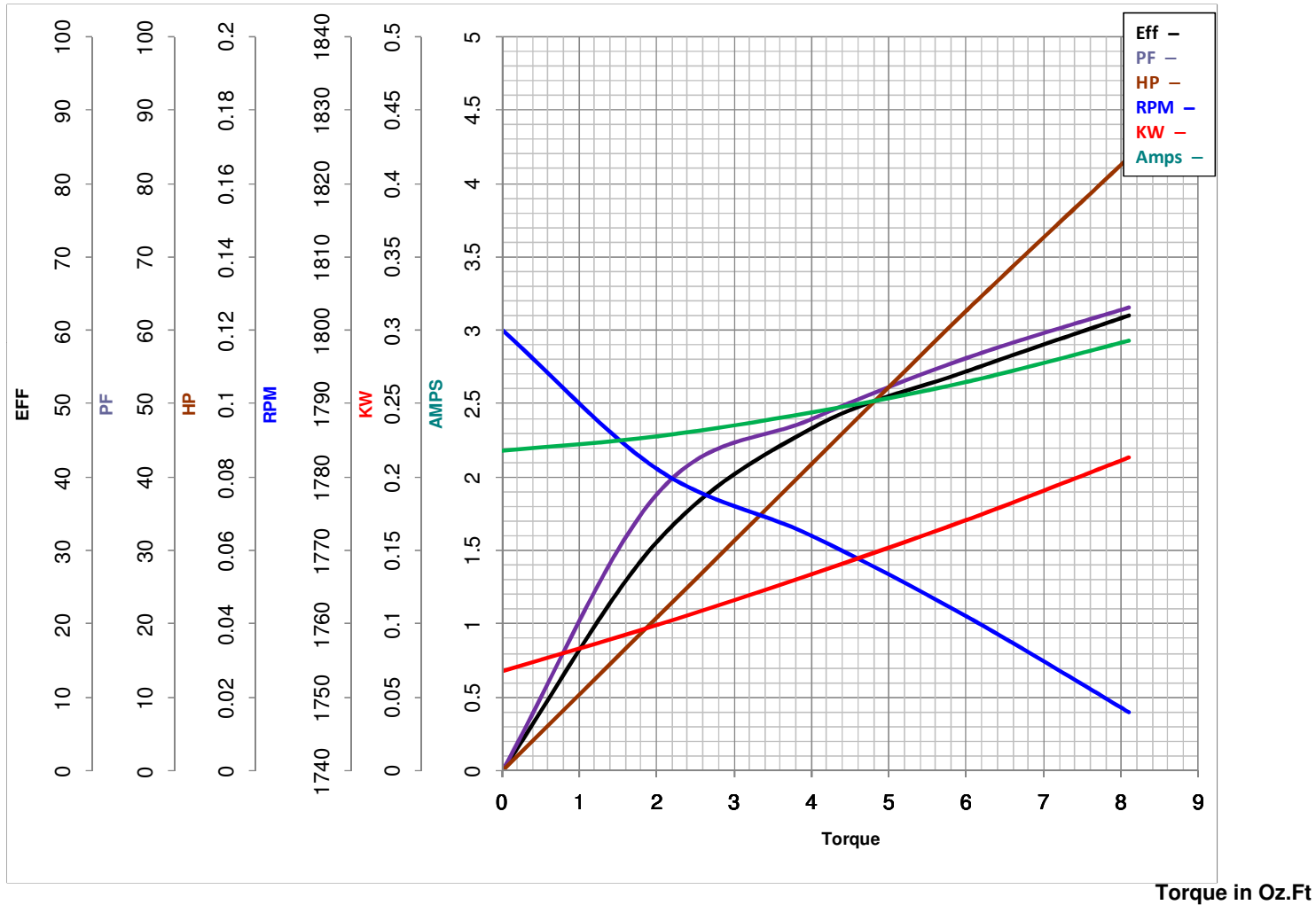
Catalog No HG456

0.16

HP

HZ 60

RPM 1725



<b>FL TORQUE</b>	<u>8.1</u>	Oz.Ft	<b>FL AMPS</b>	<u>3.3</u>	
<b>BD TORQUE</b>	<u>21.0</u>	Oz.Ft	<b>PU TORQUE</b>	<u>18.3</u>	Oz.Ft
<b>LR TORQUE</b>	<u>18.49</u>	Oz.Ft	<b>LR AMPS</b>	<u>28.2</u>	
<b>WINDING</b>	SE484371-		<b>Date</b>	3/8/2019	