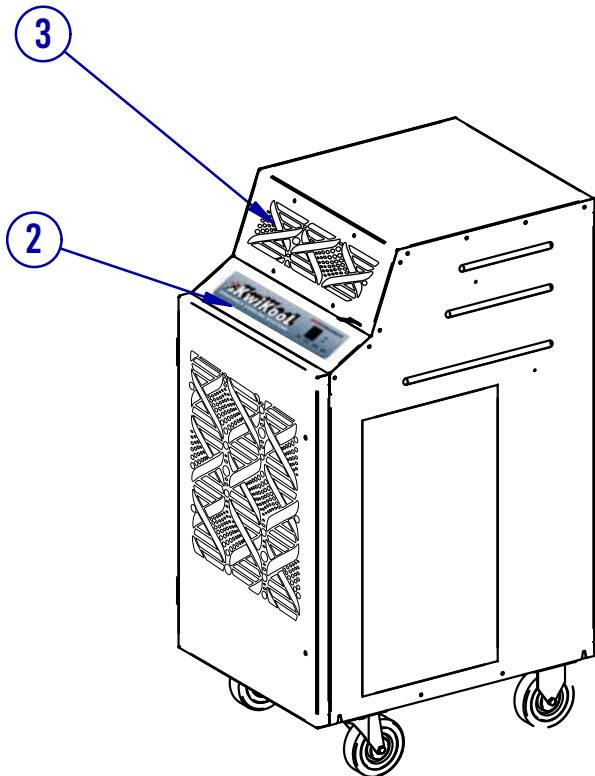
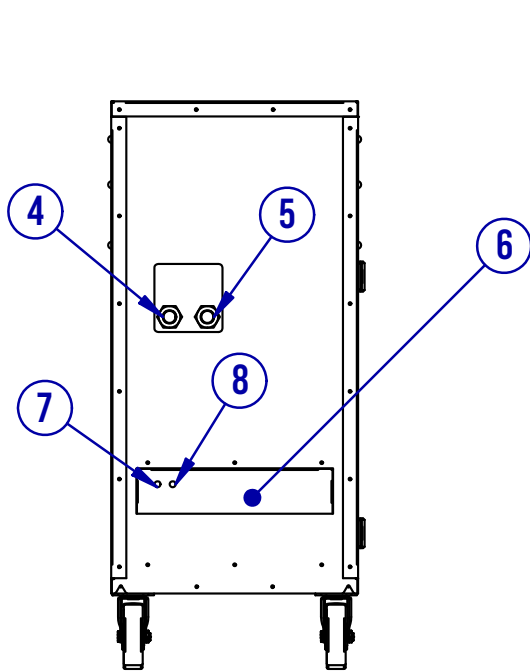
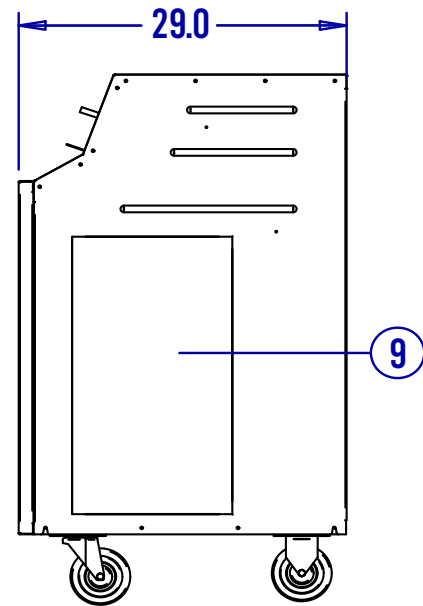
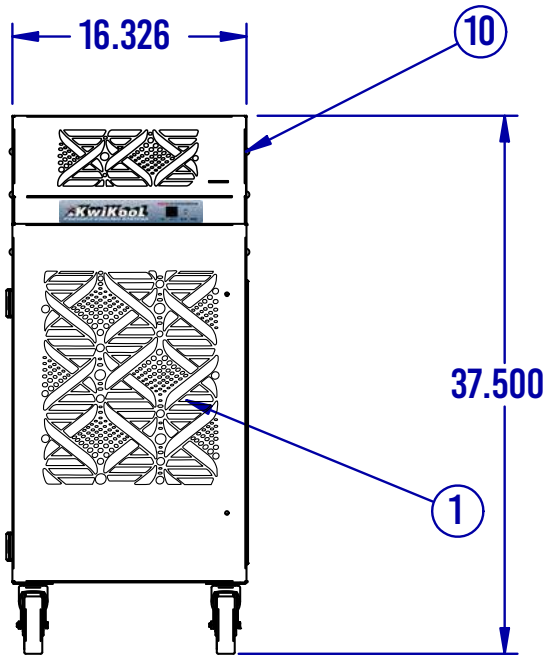


SPECIFICATIONS



KWBIO1411
WATER COOLED

COOLING CAPACITY		
	BTU/hr @95 F at 60%RH	13,800 / 1-Ton
AIR PURIFICATION		
	ULPA/HEPA Filter	99.999% @ > .12 Microns
	UVC Light Wave Length	UVC 17 Watts / Max 85 Watts
COMPRESSOR DATA		
	Compressor Type	Hermetic Rotary
	Operating Temperatures	60-110F 50% RH
	Non-CFC Refrigerant	410A
FAN DATA EVAPORATOR		
	Fan Type (Centrifugal)	Direct Drive
	Air Flow (CFM)	460 / Single Speed
	Supply Air Data	Adjustable Vent
	Supply Air Chute Data (Optional)	2 - 5" dia x 16" length
CONDENSER WATER FLOW		
	Flow Regulation Valve .5" NPT	Automatic
	Inlet Water 85F-95F Exit GPM	3
	Inlet Water 75F-95F Exit GPM	1.5
	Inlet Water 65F-95F Exit GPM	1
	Inlet Water 55F-95F Exit GPM	.75
ELECTRICAL DATA		
	Power Supply (Volts)	115 V / Single Phase
	Current Consumption (Amps)	12
	Power Consumption (kW)	1.38
	Maximum Circuit Breaker (Amps)	15
	Recommended Breaker Size	15
	Minimum Circuit Ampacity (Amps)	18.87
	Min/Max Voltage	105 - 125
	Power Cord Gauge / Length in Feet	14 AWG / 6'
	Plug Configuration	NEMA 5 - 15
DIMENSIONAL DATA		
	Width x Length x Height (inches)	16.325" x 29.0" x 37.75"
	Weight (lbs)	189
	Shipping Weight (lbs)	239
SAFETY DEVICE DATA		
	Compressor Overload	Internal
	Fan Motor Overload	Automatic Internal
	Evaporator Freeze-up	Hot Gas Bypass
	High Pressure Switch	Manual
	Low Pressure Switch	Auto
	Compressor Short Cycle	Yes
	Automatic Restart	Yes
	Thermostat Type	Digital Microprocessor
	Condensate Pump Overflow	Yes
	Condensate Tank Overflow	Yes
	Condensate Pump W/20" Head Pressure	Yes



KWBIO1411 WATER COOLED

LEGEND	
1. Cold Air Return	6. Cord Storage
2. Control Pad	7. Condensate Nipple
3. Cold Air Supply	8. Condensate Alarm Jack
4. Condenser Water Inlet	9. Access Door
5. Condenser Water Outlet	10. Vent Control



ETL LISTED CONFORMS TO ANSI/UL1995
CERTIFIED TO CAN/CSA 22.2 NO 235