

Introduction: SRAC325
MODEL

SRAC325 - Square to Round Adapter, Steel Construction

FEATURES

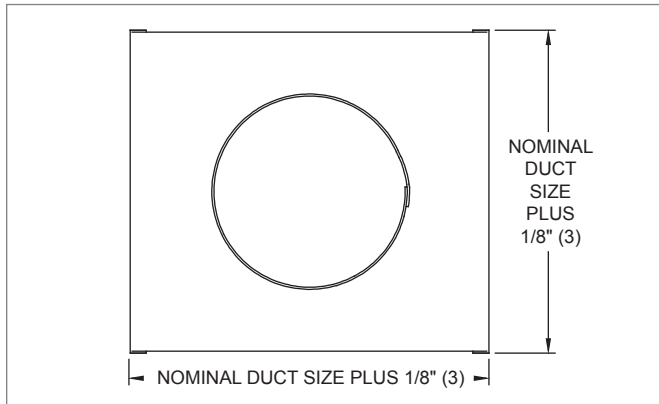
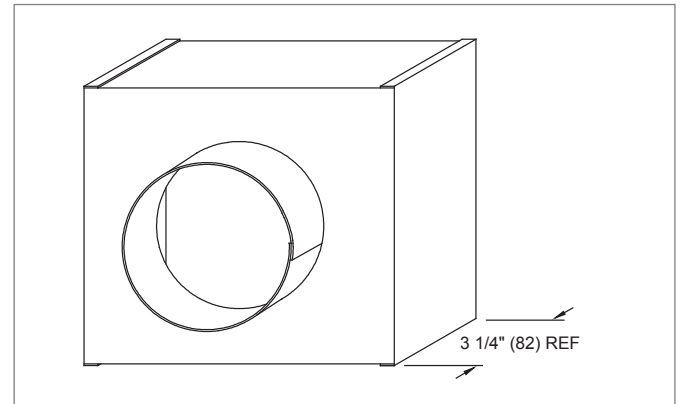
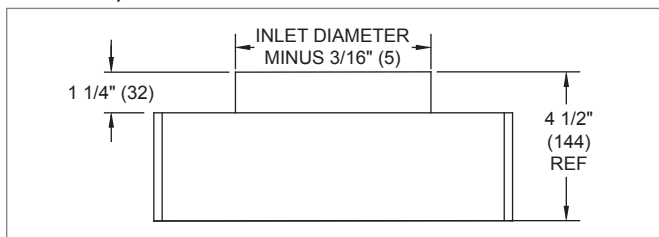
- Used with square neck grilles, registers, and diffusers.
- Shipped loose for field installation.

FINISH

- Standard finish is Mill.



SRAC325

SRAC325 Dimensional Information
SRAC325, TOP VIEW

SRAC325, ISOMETRIC VIEW

SRAC325, SIDE VIEW


NOTES: Dimensions in parentheses are mm.
 Model SH Series application is for units with OBDFA option attached.
 Reference page Q1-26 for applicable product.
 Dot indicates available size. Gray-filled areas are not available.

AVAILABLE SIZES

Square Duct Sizes	Inlet Diameters													
	4" (102)	5" (127)	6" (152)	7" (178)	8" (203)	9" (229)	10" (254)	12" (305)	14" (356)	15" (381)	16" (406)	18" (457)	20" (508)	22" (559)
6" x 6" (152 x 152)	•	•	•											
8" x 8" (203 x 203)		•	•	•	•									
9" x 9" (229 x 229)			•	•	•	•								
10" x 10" (254 x 254)			•	•	•	•	•							
12" x 12" (305 x 305)			•	•	•	•	•	•						
14" x 14" (356 x 356)			•	•	•		•	•	•					
15" x 15" (381 x 381)			•	•	•		•	•	•	•				
16" x 16" (406 x 406)			•	•	•		•	•	•		•			
18" x 18" (457 x 457)			•	•	•		•	•	•		•	•		
20" x 20" (508 x 508)			•	•	•		•	•	•		•	•	•	
21" x 21" (533 x 533)			•	•	•		•	•	•		•	•	•	•
22" x 22" (559 x 559)			•	•	•		•	•	•		•	•	•	•