

**Model 6KK37**  
**Air-Cooled Portable Air Conditioner**  
**Submittal Data**



SD-6KK37-3

**STANDARD FEATURES**

- 37,000 Btu Cooling Capacity
- Spot-Cool/ Room-Cool Thermostat Settings
- Internally Insulated with Fiberglass Insulation
- Thermostatic Control with Multi-Speed Fan
- Separate Direct Drive Fan Motors
- R410A Refrigerant
- Optional Easy Install Condensate Pump Kit with Overflow Protection
- 230V/ 1 Phase
- Directional Nozzles (3)
- Heavy Duty Twin Wheel Casters for Portability
- Self-Diagnostic System
- Off-Timer
- Washable Filters
- 16" Hot Exhaust Flange

**SAFETY DEVICES**

- Compressor Overload Protection
- Anti-freezing Thermistor
- Full Drain Tank Switch
- Automatic Restart (Power Interruption)
- Compressor Time Delay Program
- High Pressure Switch

**OPTIONAL ACCESSORIES**

- Condenser Discharge Kits
- Condenser Return Kits
- Condenser Return Air Adapters
- Condensate Pump Kits



**SPECIFICATIONS**

| Model Number             | 6KK37                  |
|--------------------------|------------------------|
| Cooling Capacity         | 37,000 Btu/hr          |
| Cooling Test Conditions  | 95°F                   |
| Voltage/Phase/Hz         | 230/1/60               |
| Amperage                 | 19.5                   |
| Fuse Size                | 30 Amps*               |
| LCDI Plug Configuration  | NEMA 6-30P             |
| Power Cord Length        | 10'                    |
| Refrigerant Type         | R410A                  |
| Dimensions               | 54.3"H x 26"W x 34.8"D |
| Net Weight               | 253 Lbs                |
| Shipping Weight          | 275 Lbs                |
| Condensate Tank Capacity | 3.17 Gal               |

\*Time delay fuses and circuit breakers are recommended

**ADDITIONAL SPECIFICATIONS**

|   |                 |
|---|-----------------|
| Ambient Temperature Range                         | 64 - 113°F      |
| Setting Temperature (Room Cool)                   | 64 - 86°F       |
| Setting Temperature (Spot Cool)                   | 32 - 86°F       |
| Application Area Ft <sup>2</sup> (Room Cool Mode) | 1300            |
| Refrigerant Type / Ounces                         | R410A / 61      |
| Design Pressure High/Low                          | 450 / 250 PSIG  |
| Indoor Air Flow High/Low                          | 882 / 776 CFM   |
| Hot Air Duct Diameter                             | 16"             |
| Maximum Exhaust Duct Length                       | 60'             |
| Condenser Air Flow                                | 1660 CFM        |
| FLA   | 20 Amps         |
| Max Duct Length: Cold Air Supply                  | 60ft            |
| Max Duct Length: Hot Air Discharge                | 60ft            |
| Duct Connection Hot Air Discharge                 | 16in            |
| Drain Type  | Bucket (4 gal.) |

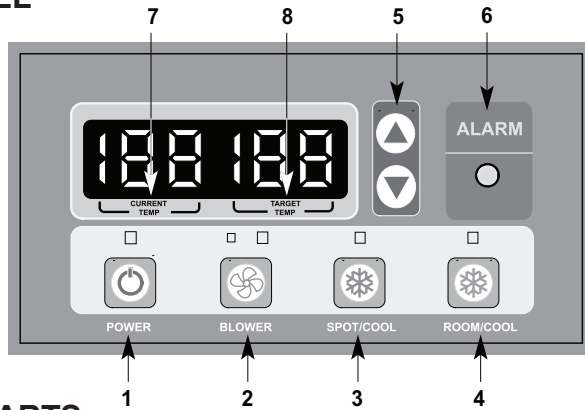


**260 North Elm St.**  
 Westfield, MA 01085  
**Phone:** 413-564-5520  
**Fax:** 413-564-5815  
 www.Koldwave.com

Project: \_\_\_\_\_ Date: \_\_\_\_\_  
 Location: \_\_\_\_\_  
 Customer: \_\_\_\_\_  
 Engineer: \_\_\_\_\_  
 Submitted By: \_\_\_\_\_  
 For:  Reference  Approval  Construction  
 Unit Designation: \_\_\_\_\_  
 Schedule Number: \_\_\_\_\_

# Model 6KK37-Submittal Data

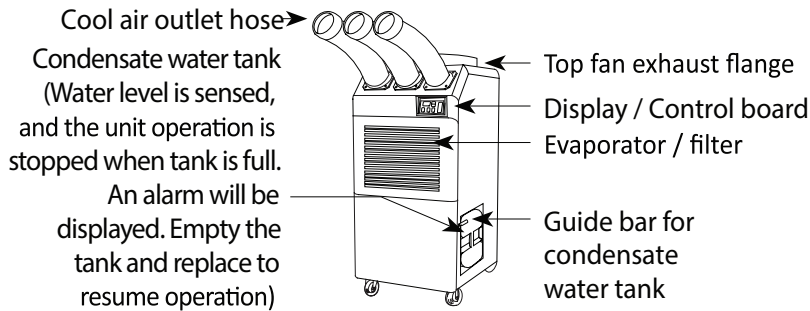
## CONTROL PANEL



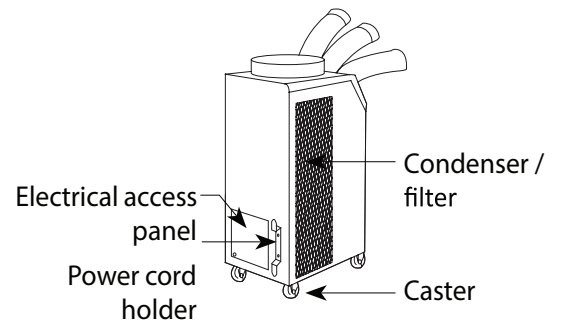
Control Panel Key Buttons:

1. Power
2. Blower
3. Spot/Cool
4. Room/Cool
5. Set Temperature
6. Alarm
7. Current Temperature
8. Target Temperature

## COMPONENT PARTS

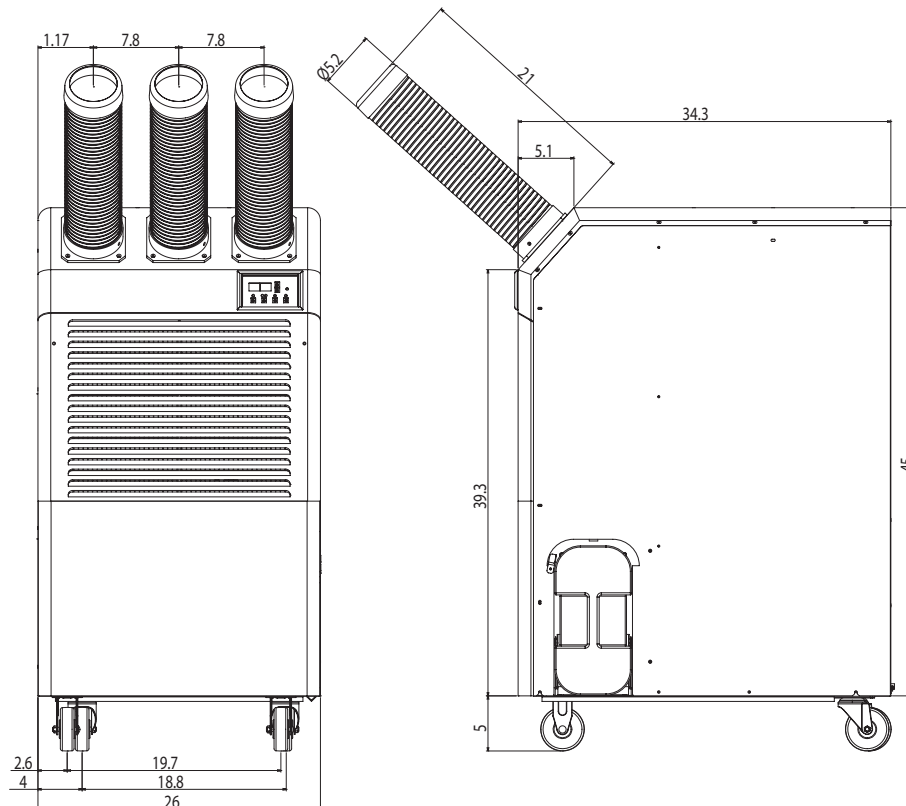


Front and Right Side View



Back and Left Side View

## DIMENSIONS (In Inches)



**ASSEMBLY**

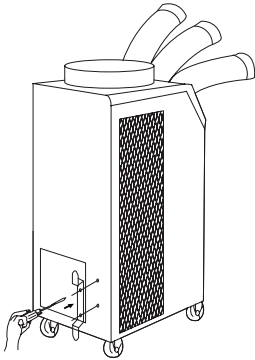


Figure 1

**Power Cord Holder**

1. Take out the cord holder from the accessory box.
2. Place the cord holder on the back side of air conditioner.
3. Use screws (enclosed inside of accessory box with cord holder) to install the cord holder on the air conditioner as shown in Figure 1.

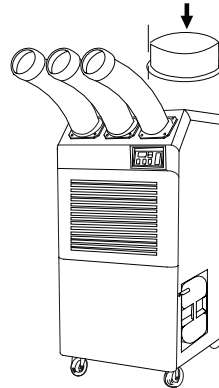


Figure 2

**Top Fan Exhaust Flange**

1. Remove the top fan exhaust flange from carton.
2. Place the top fan exhaust flange on the top of air conditioner.
3. Use screws (enclosed inside of box with the top fan exhaust flange) to install the top fan exhaust flange on air conditioner as shown in Figure 2.

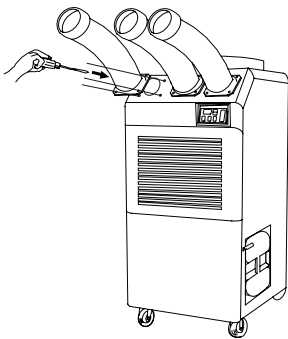


Figure 3

**Discharge Ducts /Supply Air Duct**

1. Remove cool air outlet hose(s) from carton.
2. Place the cool air outlet hose(s) on the front top of air conditioner.
3. Use screws (enclosed inside of box with cool air outlet hose(s)) to install the cool air outlet hose(s) on the air conditioner as shown in Figure 3.

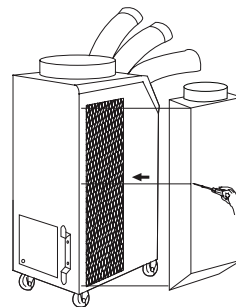


Figure 4

**Condenser Plenum  
(Optional)**

Condenser Plenum can be purchased separately. Condenser Plenum fits over the condenser to duct condenser air to the unit to improve cooling efficiency.

1. Remove Condenser Plenum from carton.
2. Place Condenser Plenum on the side of air conditioner.
3. Use screws (enclosed inside of box with Condenser Plenum) to install the Condenser Plenum on the air conditioner as shown in Figure 4.

## Accessory Parts

| Part Name                                     | Part Number |
|---|-------------|
| Condensate pump kit (220V)                    | SA057-0073  |
| Condenser plenum/return air adapter for 6KK37 | SA076-4017  |
| Remote Controller (26 ft with line)           | SA076-4006  |
| 16 FT Temperature Sensor                      | SA076-4007  |
| Cool air duct connecting flange (D5", L3")    | SA076-4008  |
| Long cool air duct assembly (D5", L40")       | SA076-4009  |
| Condenser Discharge Kit                       | SA076-3645  |
| Condenser return/discharge kit                | SA076-3635  |
| Replacement washable filter, evaporator       | KWPCFLT-03E |
| Replacement washable filter, condenser        | KWPCFLT-04C |