



Smart Heating Solutions

Effective Date: October 1, 2017

2017 Parts Book

Smart Heating Solutions

- ✓ ***Industrial Heaters***
- ✓ ***Residential Heaters***
- ✓ ***Commercial Heaters***
- ✓ ***Marine Heaters***
- ✓ ***Hydronic Fan Heaters***
- ✓ ***Electric Furnaces***
- ✓ ***In-Floor Heating Cable***
- ✓ ***Snow Melt Cable***
- ✓ ***Roof/Gutter De-Icing Cable***
- ✓ ***Pipe Trace Cable***
- ✓ ***Thermal Storage Cable***
- ✓ ***Thermostats & Controls***





Smart Heating Solutions

2017 Parts Book

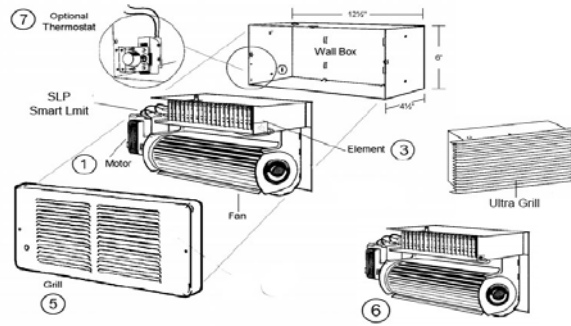
- Minimum handling charge for parts: Orders totalling less than \$5.00 will be billed a minimum of \$5.00. Freight charges (and tax when applicable) will be billed in addition to the minimum charge.
- Shipping charges for items weighing less than one (1) pound will be billed for (1) pound. Where possible King will make every effort to package items together to reduce total freight charges.
- All items will be shipped UPS unless alternate transportation is specifically requested.
- When ordering parts please provide the full model number of the unit for quick item identification.
- King Electric does not accept credit cards. It is recommended that parts be purchased through an authorized King distributor.
- Direct orders will be shipped UPS COD unless full amount due (including freight charges) is received in advance. Please note: The COD charge is placed by UPS, not King Electric.
- Items carrying a non-cancellable / non-returnable notice must be paid in full, in advance, before the product will be manufactured. Distributors should collect all monies due in advance from their customer.
- Please note: Any item purchased into a non-King product may not fit properly. If the product is not damaged in any way returns are possible, excluding any and all freight charges incurred by the customer. All returns require an authorized RGA number. Any attempt to deliver merchandise without an authorized RGA number will be refused and returned at the customer's expense.

BASEBOARD Heater parts.....	7-8	LPW & LPWC Series.....	5
CB Series.....	8	LPWA.....	5
CK series.....	14	M Series.....(consult factory)	
DAW series.....	2	OK Series.....(consult factory)	
EFW, EFW-MW Series.....	6	PAW Series.....	2
KB Series.....	11-12	PCK Series.....	13
KBP Series.....	10	PKB Series.....	11-12
KBS Series.....	12	PWH Series.....	3
KCC & KCF Series.....	15	S&K Series.....(consult factory)	
KCV Series.....	9	SB & LB Series.....(consult factory)	
KFS/KFUH Series.....	16-17	SL Series.....	2
KP, KPH, & KP-ECO Series.....	8	U Series.....	9
KT Series.....	4	W Series.....	3-4
LPW Series 2 & LPW ECO2S.....	5	WHF, WHFC, WWHF-HM & PWH Series.....	4-5

Effective October 1, 2017

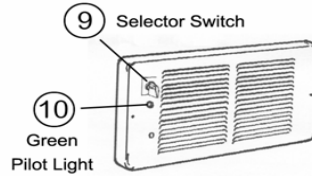
Pic-A-Watt Wall Heaters

The Pic-A-Watt, Dial-A-Watt and Slim Line share many of the same components. Items that are individual to the product are shown separately



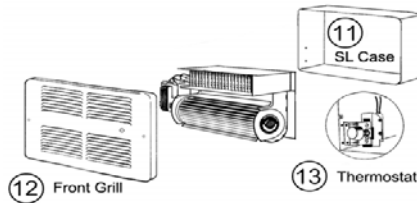
PAW/ DAW/ SL Replacement Parts (Includes stainless Steel heaters)

Item	UPC #093319 Stock Order #	DESCRIPTION	WT (LBS)	List Price
1	120V FF MTR. Blower	MOTOR & FAN 120 VOLT	1.96	\$ 120.15
	P16045	MOTOR & FAN 208 VOLT	1.96	\$ 120.15
	240v FF MTR. Blower	MOTOR & FAN 240 VOLT	1.96	\$ 120.15
2	PTC-120V-P	SMART LIMIT™ MANUAL RESET (120V)	0.01	\$ 17.06
	PTC-240V-P	SMART LIMIT™ MANUAL RESET (240V)	0.01	\$ 17.06
3	82E2	ELEMENT 120 VOLT 1500 WATT MAXIMUM	1.66	\$ 86.13
	82E1A	ELEMENT 240 VOLT 2250 WATT MAXIMUM	1.66	\$ 86.13
	82E5	ELEMENT 208 VOLT 2250 WATT MAXIMUM	1.66	\$ 86.13
	82E4	ELEMENT 208 VOLT 2000 WATT MAXIMUM	1.66	\$ 86.13
	82E3	ELEMENT 277 VOLT 2000 WATT MAXIMUM	1.66	\$ 86.13
4	KIN 381-.250	FOAM PADS "1X1"	0.00	\$ 0.71
	GRILL SCREW PACKET	2pc 6-18X1 1/2 SPEC COMBO SQ/ PHIL PAN STEEL 'A' NICKEL	0.04	\$ 1.41



DIAL-A-WATT Heater- Selector Switches & Accessories

ITEM	UPC #093319 STOCK ORDER #	DESCRIPTION	WT (LBS)	LIST PRICE
7	CA4-USJ375-F*USM470	AMERICAN SOLENOID SLECTOR SWITCH 240V W/ LABEL	0.16	\$ 189.48
	CA4-USJ735-F*USM469	AMERICAN SOLENOID SLECTOR SWITCH 120V W/ LABEL	0.16	\$ 189.48

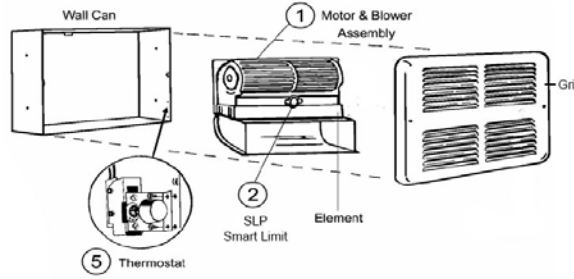
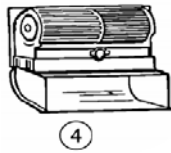


SLIM-LINE Heater

ITEM	UPC #093319 STOCK ORDER #	DESCRIPTION	WT (LBS)	LIST PRICE
8	08 SL SM CASE	CASE FOR SLIM LINE	3.50	\$ 42.48
9	08-07	GRILL ONLY FOR SLIM LINE	1.50	\$ 47.90

WHF, WHFC, WHF-HM & PWH SERIES

Replacement Elements
Use WHF1215, 2420,
& 2424 for PWH Series



HEATER MODEL	UPC #093319 STOCK ORDER #	DESCRIPTION	WT (LBS)	LIST PRICE
WHF1210	F1210	ELEMENT 120V 2X500W	0.14	\$ 44.82
WHF1212	F1212	ELEMENT 120V 2X600W	0.14	\$ 44.82
WHF1215	F1215	ELEMENT 120V 2X750W (USE FOR PWH)	0.14	\$ 47.52
WHF2410	F2410	ELEMENT 240V 2X500W	0.14	\$ 45.63
WHF2412	F2412	ELEMENT 240V 2X600W	0.14	\$ 45.63
WHF2415	F2415	ELEMENT 240V 2X750W	0.14	\$ 45.63
WHF2420	F2420	ELEMENT 240V 2X1000W (USE FOR PWH)	0.14	\$ 49.68
WHF2424	F2424	ELEMENT 240V 2X1200W (USE FOR PWH)	0.14	\$ 49.68

WHF, WHF-HM, WHFC, & PWH Series- Replacement Parts

ITEM	UPC #093319 STOCK ORDER #	DESCRIPTION	WT (LBS)	LIST PRICE
1	120V FF MTR BLOWER	BLOWER & MOTOR ASSEMBLY 120V	2.00	\$ 120.15
	240V FF MTR. BLOWER	BLOWER & MOTOR ASSEMBLY 240V	2.00	\$ 120.15
2	PTC-120V	SMART LIMIT™ MANUAL RESET (120V)	0.04	\$ 18.71
	PTC-240V	SMART LIMIT™ MANUAL RESET (240V)	0.04	\$ 18.71
	GRILL SCREW PACKET	2PC 6-18X1 SPEC COMBO SQ/PHIL PAN STEEL "A" NICKEL	N/A	\$ 1.41
	KIN 381-.250	FOAM PAD "1X1"	0.01	\$ 0.71

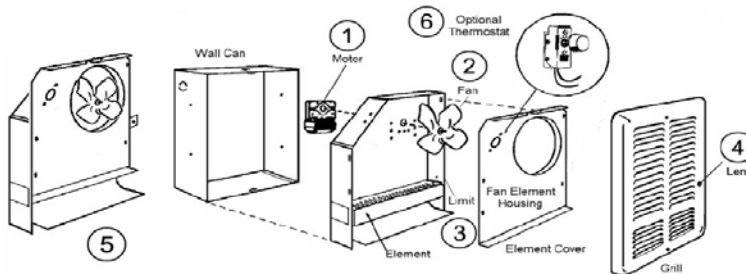
PWH Series - Unit Heater Accessories

UPC #093319 STOCK ORDER #	DESCRIPTION	WT (LBS)	LIST PRICE
22-20	SWIVEL BRACKETS/STAND (REPLACEMENT ONLY)	1.70	\$ 26.83
T24C500Z-GRAY	BRACKET MOUNTING T-HANDLES (SET OF TWO)	0.08	\$ 5.41
SR7W-2	STRAIN RELIEF FOR CORD	0.04	\$ 1.08
14/3SJT105	CORD & PLUG 240V	0.68	\$ 22.95

W Series

Fan Wall Heater

Replacement Elements

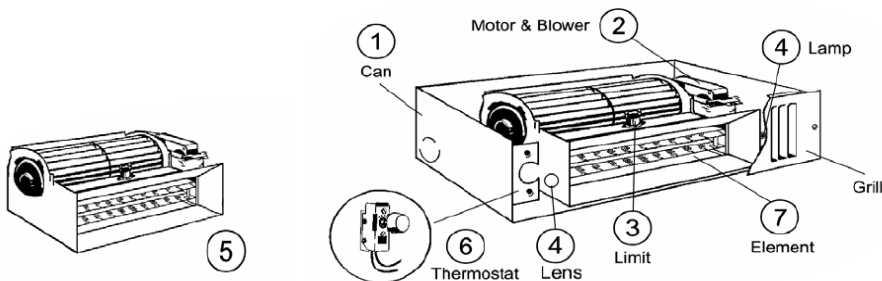


HEATER MODEL	UPC #093319 STOCK ORDER #	DESCRIPTION	WT (LBS)	LIST PRICE
W1210	F1210	ELEMENT 120V 2X500W	0.14	\$ 44.82
W1212	F1212	ELEMENT 120V 2X600W	0.14	\$ 44.82
W1215	F1215	ELEMENT 120V 2X750W	0.14	\$ 47.52
W2410	F2410	ELEMENT 240V 2X500W	0.14	\$ 45.63
W2412	F2412	ELEMENT 240V 2X600W	0.14	\$ 45.63
W2415	F2415	ELEMENT 240V 2X750W	0.14	\$ 45.63
W2420	F2420	ELEMENT 240V 2X1000W	0.14	\$ 49.68

W Wall Heater - Replacement Parts

ITEM	UPC #093319 STOCK ORDER #	DESCRIPTION	WT (LBS)	LIST PRICE
1	J239-3031	MOTOR 120V MAXIMUM 1500W	1.05	\$ 44.28
	J239-3030	MOTOR 240V MAXIMUM 1500W	1.05	\$ 44.28
	J239-5120	MOTOR 240V 2000-2400W	1.12	\$ 49.68
2	143-AD5CW_3/16	FAN BLADE & NUT	0.08	\$ 10.26
3	PTC-120V	SMART LIMIT™ MANUAL RESET (120V)	0.04	\$ 18.71
	PTC-240V	SMART LIMIT™ MANUAL RESET (240V)	0.04	\$ 18.71
	GRILL SCREW PACKET	2PC 6-6-18X1 1/2 SPEC COMBO SQ/PHIL PAN STEEL "A" NICKEL	N/A	\$ 1.41
	KIN 381-.250	FOAM PAD "1X1"	0.01	\$ 0.71

**KT Series
Kickspace Heater**



Replacement Elements - Item 7

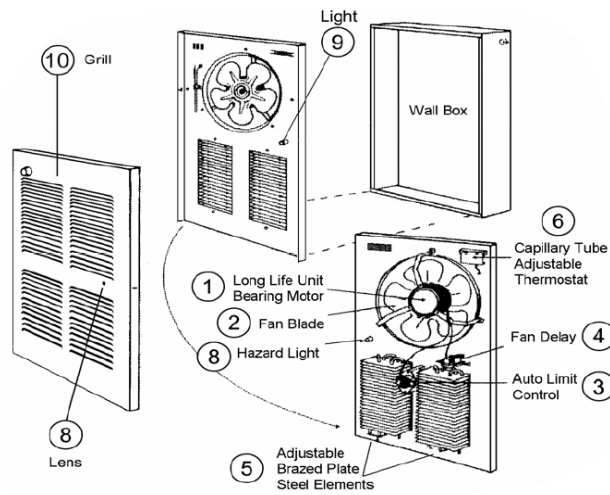
HEATER MODEL	UPC #093319 STOCK ORDER #	DESCRIPTION	WT (LBS)	LIST PRICE
KT1210	F1210	ELEMENT 120V 2X500W	0.14	\$ 44.82
KT1212	F1212	ELEMENT 120V 2X600W	0.14	\$ 44.82
KT1215	F1215	ELEMENT 120V 2X750W	0.14	\$ 47.52
KT2410	F2410	ELEMENT 240V 2X500W	0.14	\$ 45.63
KT2412	F2412	ELEMENT 240V 2X600W	0.14	\$ 45.63
KT2415	F2415	ELEMENT 240V 2X750W	0.14	\$ 45.63

Replacement Parts

ITEM	UPC #093319 STOCK ORDER #	DESCRIPTION	WT (LBS)	LIST PRICE
1	24-01	BACK CAN - 3½" HIGH	2.30	\$ 13.41
	24-03	BACK CASE COVER (FITS BOTH 3½" & 4")	1.20	\$ 8.94
2	A138-2518LH-26LU	MOTOR & BLOWER ASSEMBLY 120V	1.84	\$ 120.15
	A117-2518L-72PW	MOTOR & BLOWER ASSEMBLY 240V	1.84	\$ 120.15
3	36TH21-21159	HIGH TEMPERATURE SAFETY LIMIT	0.04	\$ 11.88
4	LAMP-8-120	SAFETY LIGHT LENS	0.01	\$ 4.86
	LAMP-8-240	SAFETY LIGHT LAMP 240V	0.04	\$ 4.86
	SCREW-SET	COMPLETE PACKAGE OF SCREWS	0.04	\$ 4.32
	KIN 381-.250	FOAM PAD "1X1"	0.01	\$ 0.71

LPW, LPW Series 2, LPWA & LPWC Series

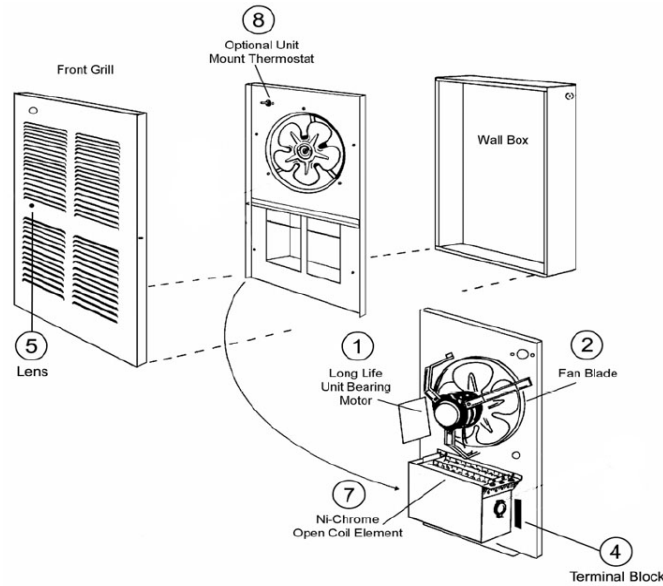
Large Pic-A-Watt
Heater
Replacement Parts



ITEM	UPC #093319 STOCK ORDER #	DESCRIPTION	WT (LBS)	LIST PRICE
1	SP-B3BAR1	MOTOR 120 VOLT	2.28	\$ 282.82
	SP-B3BAR28	MOTOR 208 VOLT	2.28	\$ 291.06
	SP-B3BAR2	MOTOR 208/240 VOLT	2.28	\$ 238.47
	SP-B3BAR27	MOTOR 277 VOLT	2.28	\$ 293.06
2	LPW-AFANBLADE	MOTOR FAN BLADE	0.18	\$ 22.24
	1/4-20 FIN HEX NUT	FAN NUT	0.04	\$ 1.08
3	60T11-201936	HIGH TEMPERATURE SAFETY LIMIT	0.06	\$ 26.12
	LPW LIMIT 120V	SX8AM4BKBF11 105C CD-03595 Q6464 FOR 120V LPW ONLY	0.12	\$ 47.41
	LPW LIMIT 240V	SV8AM4BKBF11 105C CD-03596 FOR 240V & 208V LPW	0.12	\$ 47.41
4	60T13-208732	HEAT SENSING FAN DELAY SWITCH (UPDATED)	0.06	\$ 34.15
5	82E1A	ELEMENT 240 VOLT 2250 WATT MAXIMUM	1.66	\$ 86.13
	82E2	ELEMENT 120 VOLT 1500 WATT MAXIMUM	1.66	\$ 86.13
	82E4	ELEMENT 208 VOLT 2000 WATT MAXIMUM	1.66	\$ 95.88
	82E5	ELEMENT 208 VOLT 2250 WATT MAXIMUM	1.66	\$ 86.13
	82E3	ELEMENT 277 VOLT 2000 WATT MAXIMUM	1.66	\$ 86.13
6	275-5011-00	THERMOSTAT CAP TUBE STYLE (REPLACEMENT ONLY)	0.34	\$ 83.65
	275-5011-00-TP	THERMOSTAT TAMPER PROOF (REPLACEMENT ONLY)	0.34	\$ 83.65
	KBP KNOB	KNOB ONLY	0.04	\$ 4.86
	LPW-LABEL-GRAY	LABEL ONLY FOR T-STAT & ROTARY SWITCH	0.01	\$ 17.82
	HA-22003	ELEMENT WIRING HARNESS	0.12	\$ 27.53
8	LPW/KBP ROTARY	ROTARY SWITCH FAN/HEAT/OFF)	0.2	\$ 59.67
LPW-ECO				
	UPC #093319 STOCK ORDER #	DESCRIPTION	WT. (LBS)	LIST PRICE
	617445	240V ECO-2S PCB POWER BOARD W/ TEMP SENSOR	0.50	\$ 85.41
	67012	120V ECO-2S PCB POWER BOARD W/ TEMP SENSOR	0.50	\$ 85.41
	67007	ECO-2S DISPLAY BOARD	0.50	\$ 23.29
	67009	ECO-2S PCB POWER BOARD EXTENSION CABEL 21"	0.10	\$ 11.76
	61747	ECO-2S/PLATINUM REMOTE CONTROL	0.25	\$ 21.88
	61748	ECO-2S/PLATINUM REMOTE WALL MOUNT BRACKET	0.25	\$ 6.47

EFW, EFW-MW Series

Economy Wall Heater
Replacement Parts



ITEM	UPC #093319 STOCK ORDER #	DESCRIPTION	WT (LBS)	LIST PRICE
1	SP-B3BAR1	MOTOR 120V-3 WATT	1.56	\$ 282.82
	SP-B3BAR2	MOTOR 208/230V - 3 WATT	1.56	\$ 238.47
2	LPW-AFANBLADE	FAN FOR MOTOR (FAN BLADE)	0.18	\$ 22.24
	1/4-20 FIN HEX NUT	FAN NUT	0.04	\$ 1.08
3	60T11-201936	HIGH TEMPERATURE SAFETY	0.02	\$ 26.12
4	ESB1-4-6-H	TERMINAL BLOCK	0.04	\$ 8.94

EFW Replacement Elements (2 Elements Per Heater)

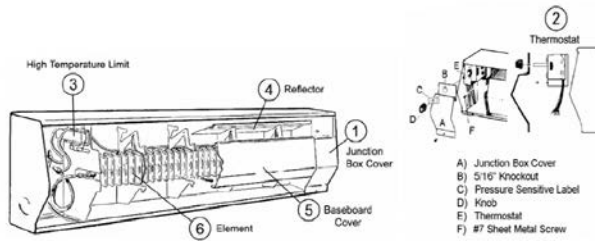
ITEM	UPC #093319 STOCK ORDER #	DESCRIPTION	WT (LBS)	LIST PRICE
7	F1210	ELEMENT 120V 2 X 500W	0.14	\$ 44.82
	F1212	ELEMENT 120V 2 X 600W	0.14	\$ 44.82
	F1215	ELEMENT 120V 2 X 750W	0.14	\$ 47.52
	F2020	ELEMENT 208V 2 X 1000W	0.14	\$ 45.63
	F2410	ELEMENT 240V 2 X 500W	0.14	\$ 45.63
	F2415	ELEMENT 240V 2 X 750W	0.14	\$ 45.63
	F2420	ELEMENT 240V 2 X 1000W	0.14	\$ 49.68
	F2424	ELEMENT 240V 2 X 1200W	0.14	\$ 51.03

EFW-MW Replacement Elements (2 Elements Per Heater)

ITEM	UPC #093319 STOCK ORDER #	DESCRIPTION	WT (LBS)	LIST PRICE
	100102-3	ELEMENT 120V 2880W	0.2	\$ 59.65
	100102-2	ELEMENT 208V 4000W	0.2	\$ 59.65
	100102-1	ELEMENT 240V 4000W	0.2	\$ 59.65

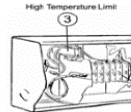
K Series

Baseboard Heater
Replacement Parts



ITEM	UPC #093319 STOCK ORDER #	DESCRIPTION	WT (LBS)	LIST PRICE
1	03-05	J BOX COVER - ALMOND	0.20	\$ 4.47
	03-06	J BOX COVER W/ THERMOSTAT - ALMOND	0.20	\$ 4.47
	03-05-BW	J BOX COVER - BRIGHT WHITE	0.20	\$ 4.47
	03-06-BW	J BOX COVER W/ THERMOSTAT - BRIGHT WHITE	0.20	\$ 4.47
2	PT-2-P-S	KNOB ONLY FOR INBUILT THERMOSTAT	0.01	\$ 9.18
	LBL BKT1	LABEL FOR SINGLE POLE THERMOSTAT	0.01	\$ 4.05
	LBL BKT2	LABEL FOR DOUBLE POLE THERMOSTAT	0.01	\$ 4.05
3	52054	18 Gauge Cover for 27" Baseboard	1.50	\$ 31.05
	52056	18 Gauge Cover for 3' Baseboard	2.00	\$ 46.58
	52058	18 Gauge Cover for 4' Baseboard	2.60	\$ 62.10
	52060	18 Gauge Cover for 5' Baseboard	3.65	\$ 77.63
	52062	18 Gauge Cover for 6' Baseboard	4.00	\$ 93.15
	52064	18 Gauge Cover for 8' Baseboard	5.30	\$ 124.20

High Temperature Limits 175° (Consult factory for 210° Limits)

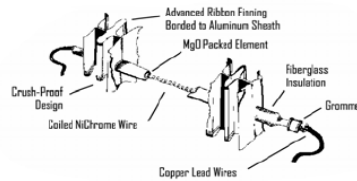


ITEM	UPC #093319 STOCK ORDER #	DESCRIPTION	WT (LBS)	LIST PRICE
3	BB 2 175	FOR 27" HEATER	0.10	\$ 29.53
	BB 3 175	FOR 3' HEATER	0.10	\$ 29.76
	BB 4 175	FOR 4' HEATER	0.10	\$ 30.71
	BB 5 175	FOR 5' HEATER	0.10	\$ 31.88
	BB 6 175	FOR 6' HEATER	0.10	\$ 33.06
	BB 8 175	FOR 8' HEATER	0.10	\$ 35.76

Covers and Reflectors for Baseboard Heaters - Items 4 & 5

*Add Suffix (-AL) for ALMOND; (-BW) for BRIGHT WHITE

BASEBOARD LENGTH	22 GA FRONT COVER - ITEM 4			18 GA FRONT COVER			REFLECTOR - ITEM 5		
	STOCK ORDER #	WT (LBS)	LIST PRICE	STOCK ORDER	WT (LBS)	LIST PRICE	STOCK ORDER #	WT (LBS)	LIST PRICE
27"	03-0202	0.56	\$ 6.71	03-0202-18	0.86	\$ 9.94	03-0702	0.28	\$ 23.76
3'	03-0203	0.82	\$ 10.07	03-0203-18	1.23	\$ 13.42	03-0703	0.40	\$ 23.76
4'	03-0204	1.26	\$ 13.41	03-0204-18	1.89	\$ 17.88	03-0704	0.58	\$ 39.96
5'	04-0205	1.62	\$ 16.77	03-0205-18	2.43	\$ 22.36	03-0705	0.78	\$ 37.80
6'	03-0206	1.96	\$ 20.12	03-0206-18	2.94	\$ 26.83	03-0706	0.94	\$ 48.60
8'	03-0208	2.70	\$ 26.83	03-0208-18	4.05	\$ 35.77	03-0708	1.32	\$ 60.48



Ribbon Finned Heating Elements for Baseboard Heaters

Item 6 - K - Series, B Series & X - Series

Standard Density (250 Watts Per Foot)

120V		208V		HEATER LENGTH	ELEMENT LENGTH	WT. (LBS)	LIST PRICE
LENGTH & WATTS	UPC #093319 STOCK ORDER #	LENGTH & WATTS	UPC #093319 STOCK ORDER #				
27" 500W	B2-1205ELE	27" 500W	B2-2005ELE	27"	21"	0.60	\$ 45.76
3' 750W	B3-1207ELE	3' 75-W	B3-2007ELE	3'	30"	0.86	\$ 48.35
4' 1000W	B4-1210ELE	4' 1000W	B4-2010ELE	4'	40"	1.18	\$ 54.59
5' 1200W	B5-1212ELE	5' 1200W	B5-2012ELE	5'	54"	1.56	\$ 58.16

6' 1500W	B6-1215ELE	6' 1500W	B6-2015ELE	6'	66"	1.94	\$ 65.88
		8' 2000W	B8-2020ELE	8'	90"	2.70	\$ 101.29

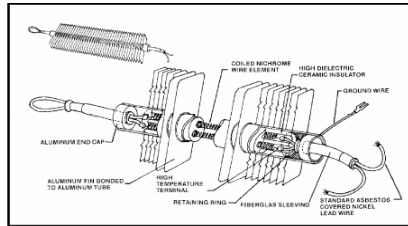
Standard Density (250 Watts Per Foot)

240V		277V		HEATER LENGTH	ELEMENT LENGTH	WT. (LBS)	LIST PRICE
LENGTH & WATTS	UPC #093319 STOCK ORDER #	LENGTH & WATTS	UPC #093319 STOCK ORDER #				
27" 500W	B2-2405ELE	27" 300W	B2-2403ELE	27"	21"	0.60	\$ 45.76
3' 750W	B3-2407ELE	3' 500W	B3-2405ELE	3'	30"	0.86	\$ 48.35
4' 1000W	B4-2410ELE	4' 750W	B4-2407ELE	4'	40"	1.18	\$ 54.59
5' 1200W	B5-2412ELE	5' 1000W	B5-2410ELE	5'	54"	1.56	\$ 58.16
6' 1500W	B6-2415ELE	6' 1200W	B6-2412ELE	6'	66"	1.94	\$ 65.88
8' 2000W	B8-2420ELE	8' 1500W	B8-2415ELE	8'	90"	2.70	\$ 101.29

Ribbon-Finned Heating Elements for Baseboard Heaters - Item 6

Low Density (187 Watts Per Foot)

208V		240V		HEATER LENGTH	ELEMENT LENGTH	WT. (LBS)	LIST PRICE
MODEL NUMBER	UPC #093319 STOCK ORDER #	MODEL NUMBER	UPC #093319 STOCK ORDER #				
27" 500W	B2-2405ELE	27" 300W	B2-2403ELE	27"	21"	0.60	\$ 45.76
3' 750W	B3-2407ELE	3' 500W	B3-2405ELE	3'	30"	0.86	\$ 48.35
4' 1000W	B4-2410ELE	4' 750W	B4-2407ELE	4'	40"	1.18	\$ 54.59
5' 1200W	B5-2312ELE	5' 1000W	B5-2410ELE	5'	54"	1.56	\$ 58.16
6' 1500W	B6-2415ELE	6' 1200W	B6-2412ELE	6'	66"	1.94	\$ 65.88
8' 2000W	B8-2420ELE	8' 1500W	B8-2415ELE	8'	90"	2.70	\$ 101.29

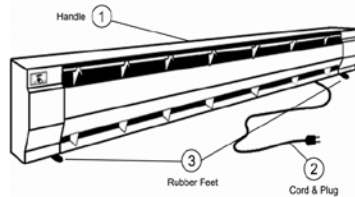


CB Series

Ceramic Baseboard

Replacement Elements

BASEBOARD LENGTH	120V STOCK	208V STOCK	240V STOCK	WT. (LBS)	LIST PRICE
27"	CERAMIC 2-1203 ELE	CERAMIC 2-2003 ELE	CERAMIC 2-2403ELE	1.50	\$ 145.80
3'	CERAMIC 3-1205 ELE	CERAMIC 3-2005 ELE	CERAMIC 3-2405ELE	1.50	\$ 166.32
4'	CERAMIC 4-1207 ELE	CERAMIC 4-2007ELE	CERAMIC 4-2407ELE	1.50	\$ 198.28
5'	CERAMIC 5- 1210 ELE	CERAMIC 5-2010ELE	CERAMIC 5-2410ELE	1.50	\$ 272.16
6'	CERAMIC 6 - 1212 ELE	CERAMIC 6-2012ELE	CERAMIC 6-2412ELE	1.50	\$ 311.04
8'		CERAMIC 7-2015ELE	CERAMIC 7-1415ELE	1.50	\$ 361.80

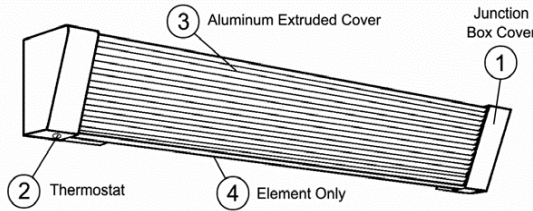


KP, KPH, KP-ECO Series

Portable Baseboard Heater

Refer to K Series for Replacement Parts

ITEM	UPC #093319 STOCK ORDER #	DESCRIPTION	WT (LBS)	LIST PRICE
1	3700-002	HANDLE	0.04	\$ 11.53
2	66634	POWER CORD 16/3 FLAT 15 AMP PLUG	0.46	\$ 26.46
	SR6N3-4	STRAIN RELIEF	0.04	\$ 1.08
3	62665	KP PORTABLE HEATER FOOT	0.01	\$ 12.53
	60099	TIP OVER SWITCH	0.32	\$ 19.44



KCV Series

Cove Heater

Replacement Parts

ITEM	UPC #093319 STOCK ORDER #	DESCRIPTION	WT (LBS)	LIST PRICE
1	04-04L	J BOX COVER LEFT SIDE	0.12	\$ 8.94
	04-04R	J BOX COVER RIGHT SIDE	0.12	\$ 8.94
2	PT-2-P-S	KNOB ONLY FOR INBUILT THERMOSTAT	0.01	\$ 9.18
	LBL BKT1	LABEL FOR SINGLE POLE THERMOSTAT	0.01	\$ 4.05
	LBL BKT2	LABEL FOR DOUBLE POLE THERMOSTAT	0.01	\$ 4.05

Aluminum Extruded Cover Only (No Element)

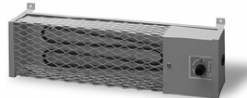
ITEM	HEATER LENGTH	STOCK ORDER #	DESCRIPTION	WT (LBS)	LIST PRICE
3	24"	04-0602	EXTRUDED ALUMINUM COVER FOR 24" COVE HEATER	1.60	\$ 74.90
	34"	04-0604	EXTRUDED ALUMINUM COVER FOR 34" COVE HEATER	2.30	\$ 110.67
	47"	04-0606	EXTRUDED ALUMINUM COVER FOR 47" COVE HEATER	3.10	\$ 148.67
	59"	04-0607	EXTRUDED ALUMINUM COVER FOR 59" COVE HEATER	3.90	\$ 186.12
	71"	04-0609	EXTRUDED ALUMINUM COVER FOR 71" COVE HEATER	4.70	\$ 211.27
	83"	04-0610	EXTRUDED ALUMINUM COVER FOR 83" COVE HEATER	5.50	\$ 247.04
	94"	04-0612	EXTRUDED ALUMINUM COVER FOR 94" COVE HEATER	6.20	\$ 279.45
	118"	04-0615	EXTRUDED ALUMINUM COVER FOR 118" COVE HEATER	7.80	\$ 352.11

Element Only (No Aluminum Extruded Cover)

ITEM	120V		240V		HEATER LENGTH	ELEMENT LENGTH	WT (LBS)	LIST PRICE
	MODEL NUMBER	STOCK NUMBER	MODEL NUMBER	STOCK NUMBER				
4	KCV1202	CV1202			24"	12"	0.30	\$ 19.98
	KCV1204	CV1204	KCV2404	CV2404	34"	22"	0.36	\$ 24.84
	KCV1206	CV1206	KCV2406	CV2406	47"	35"	0.58	\$ 34.29
	KCV1207	CV1207	KCV2407	CV2407	59"	47"	0.68	\$ 40.23
			KCV2409	CV2409	71"	59"	0.92	\$ 49.68
	KCV1210	CV1210	KCV2410	CV2410	83"	71"	1.14	\$ 52.92
			KCV2412	CV2412	94"	82"	1.34	\$ 60.75
			KCV1215	CV2415	118"	106"	1.60	\$ 75.06

U Series - Pump House Heater

Utility Pump House Heater Replacement Parts
(Includes Stainless Steel Parts)



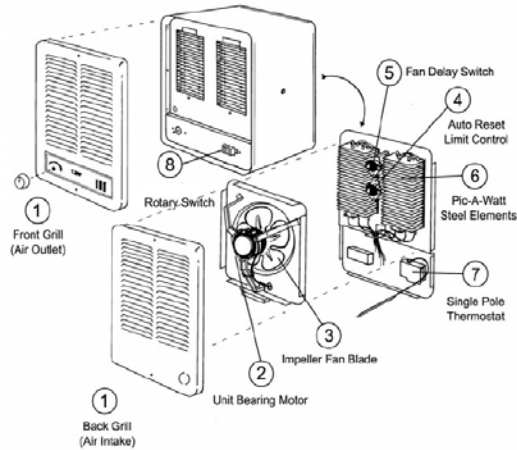
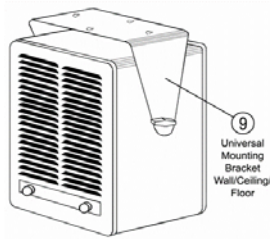
UPC #093319 STOCK ORDER #	DESCRIPTION	WT (LBS)	LIST PRICE
CS22P0#27B	THERMOSTAT +/- 6° 46-80°	0.32	\$ 22.68
275-2822-00	THERMOSTAT +/- 1° 40-90°	0.32	\$ 75.60
PT-2-P-S	KNOB ONLY FOR THERMOSTAT	0.01	\$ 9.18
2822-LOW-HIGH	LABEL FOR THERMOSTAT	0.01	\$ 4.35
BB 3 210	LIMIT (PART#10H11)	0.01	\$ 44.82
16/3SJT105	CORD - 6FT W/ 120 VOLT 15 AMP PLUG	0.46	\$ 26.46

Replacement Elements

UPC #093319 STOCK ORDER #	DESCRIPTION	WT (LBS)	LIST PRICE
5007533	ELEMENT 120V 500W	0.42	\$ 61.02
5007564	ELEMENT 120V 750W	0.42	\$ 61.02
5007534	ELEMENT 120V 1000W	0.42	\$ 61.02
5007565	ELEMENT 240V 250W	0.42	\$ 61.02
5007566	ELEMENT 240V 500W	0.42	\$ 61.02
5007535	ELEMENT 240V 750W	0.42	\$ 61.02
5007536	ELEMENT 240V 1000W	0.42	\$ 61.02

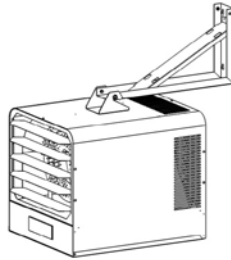
KBP Series

Pic-A-Watt
Unit Heater
Replacement Parts



ITEM	UPC #093319 STOCK ORDER #	DESCRIPTION	WT (LBS)	LIST PRICE
1	40-05	GRILL FRONT ALMOND	1.64	\$ 57.84
	40-06	BACK GRILL ALMOND	1.64	\$ 39.33
	KBP-LABEL	LABEL FOR FRONT GRILL	0.01	\$ 18.82
2	SP-B5BAR28	MOTOR 208 VOLT - 5 WATT	2.28	\$ 156.06
	SP-B5BAR2	MOTOR 208/230 VOLT-5 WATT	2.28	\$ 156.06
	SP-B5BAR27	MOTOR 277 VOLT - 5 WATT	2.28	\$ 160.12
	SP-B5BAR8	MOTOR 480 VOLT - 5 WATT	2.28	\$ 168.44
3	KBP-A FAN BLADE	FAN FOR MOTOR	0.18	\$ 15.66
	1/4-20 FIN HEX NUT	FAN NUT	0.04	\$ 1.08
4	60T11-201936	HIGH TEMPERATURE SAFETY LIMIT	0.06	\$ 26.12

5	60T13-208732	HEAT SENSING FAN DELAY SWITCH (UPDATED)	0.04	\$ 34.12
6	82E11	ELEMENT NO JUMPER 240 VOLT 3000 WATT MAXIMUM	1.66	\$ 86.13
	82E10	ELEMENT 240 VOLT 3000 WATT MAXIMUM	1.66	\$ 86.13
	82E2	ELEMENT 12 VOLT 1500 W ATT MAXIMUM	1.66	\$ 86.13
	82E14	ELEMENT NO JUMPER 208 VOLT 3000 WATT MAXIMUM	1.66	\$ 86.13
	82E15	ELEMENT 208 VOLT3000 WATT MAXIMUM	1.66	\$ 86.13
	82E3	ELEMENT 277 VOLT 2000 WATT MAXIMUM	1.66	\$ 86.13
7	HA-22009	ELEMENT WIRING HARNESS	0.08	\$ 56.59
	275-5011-00	THERMOSTAT CAP TUBE STYLE (REPLACEMENT ONLY)	0.34	\$ 54.00
	275-5011-00-TP	THERMOSTAT TAMPER PROOF (REPLACEMENT ONLY)	0.34	\$ 64.80
	KBP-LABEL	LABEL ONLY FOR FRONT GRILL	0.01	\$ 18.82
8	KBP-KNOB	KNOB ONLY	0.04	\$ 4.86
	LPW/KBP ROTARY	ROTARY SWITCH (FAN/HEAT/OFF)	0.16	\$ 59.67
9	40-10	UNIVERSAL MOUNTING BRACKET - CEILING/WALL/FLOOR	3.06	\$ 47.51
	25NLIEOZ	STAR WASHER FOR MOUNTING BRACKET (SET OF TWO)	0.01	\$ 2.16
	KBP T-HANDLE KIT	BUMPER FEET FOR MOUNTING BRACKET (SET OF FOUR)	0.01	\$ 4.32
		BRACKET MOUNTING T-HANDLES (SET OF TWO)	0.08	\$ 4.86
	ED-2	LINE VOLTAGE TERMINAL BLOCK 2P	0.18	\$ 25.11
	4000-01-E07AE999	TRANSFORMER 120/24V	1.50	\$ 67.06
	4000-09-E07K999	TRANSFORMERS 208-240/24V	1.50	\$ 44.59
	4000-03-E07J999	TRANSFORMERS 277/24V	1.50	\$ 117.06
	4000-04-E07K999	TRANSFORMERS 480/24V	1.50	\$ 46.24
	KBP DPC 30A/240 COIL	CONTACTOR 35 AMP 208/240 COIL	1.25	\$ 81.54
	KBP DPC 30A/24V COIL	CONTACTOR 25 AMP WITH 24 V COIL (3-POLE)	1.25	\$ 74.25
R8229A	1P RELAY FOR 24V REMOTE THERMOSTAT	0.36	\$ 160.24	
3700H-002	HANDLE	0.06	\$ 7.83	
SCREW-SET	COMPLETE PACKAGE OF SCREWS	0.04	\$ 4.32	



KB, KB ECO & PKB Series- Unit Heater

Replacement Parts

UPC #093319 STOCK ORDER #	DESCRIPTION	WT (LBS)	LIST PRICE
60T11-313198	HIGH TEMPERATURE LIMIT 175°	0.08	\$ 26.12
A3T60	FUSES 60 AMP 300V	0.14	\$ 67.35
A6T60	FUSES 60 AMP 600V	0.14	\$ 65.39
T30060-2CR	FUSE BLOCK 60 AMP 300V 2 POLE	0.58	\$ 72.09
T60060-2CR	FUSE BLOCK 60 AMP 600V 2 POLE	0.58	\$ 83.70
T30060-3CR	FUSE BLOCK 60 AMP 300V 3 POLE	0.58	\$ 102.06
T60060-3CR	FUSE BLOCK 60 AMP 600V 3 POLE	0.58	\$ 115.02
ERB-201	INPUT TERMINAL BLOCK 3 POLE 240V	0.24	\$ 82.82
EB-200	INPUT TERMINAL BLOCK 2 POLE 240V	0.16	\$ 55.65
ED-2	INPUT TERMINAL BLOCK 3 POLE 480V	0.18	\$ 21.18
ED-3	INPUT TERMINAL BLOCK 2 POLE 480V	0.22	\$ 28.35
4000-09-E07K999	TRANSFORMERS 40VA PRIM. 240/208V SEC.24V	1.50	\$ 44.59
4000-51-E07K999	TRANSFORMERS 40VA PRIM. 380/24V SEC.	1.50	\$ 65.46
4000-04-E07K999	TRANSFORMERS 40VA PRIM. 480/24V SEC.	1.50	\$ 46.24
KB DPC 50A 120V COIL	CONTRACTOR 50 AMP 3 POLER 120V COIL	1.25	\$ 100.98
KB DPC 50A 240V COIL	CONTRACTOR 50 AMP 3 POLE 240/208V COIL	1.25	\$ 100.98
KB DPC 50A 24V COIL	CONTRACTOR 50 AMP 3 POLE 24V COIL	1.25	\$ 100.98
28-SPDT-SWITCH	SUMMER FAN SWITCH 208/240/277 (NO CONTACTOR)	0.10	\$ 66.42
452-BU	SUMMER FAN SWITCH 24V	0.10	\$ 32.94
LPW/KBP ROTARY	3 POSITION SWITCH	0.16	\$ 59.67
P9XURDDO	PILOT LIGHT	0.20	\$ 76.85
ES4T38S	THERMOSTAT SINGLE POLE 25 AMP CAPILLARY TUBE	0.30	\$ 75.60
275-3173-00	THERMOSTAT DOUBLE POLE 25 AMP CAPILLARY TUBE	0.32	\$ 95.04
PT-2-P-S	KNOB ONLY FOR INBUILT THERMOSTAT	0.01	\$ 5.88
2822-LOW-HIGH	LABEL FOR THERMOSTAT	0.01	\$ 4.35
12S50-318111	FAN DELAY SWITCH 240V	0.16	\$ 117.29
12S50-305231	FAN DELAY SWITCH 24V	0.16	\$ 68.59
30 AMP DISCONNECT	DISCONNECT SWITCH 30/40 AMP 3 POLE	0.54	\$ 554.64
40 AMP DISCONNECT	DISCONNECT SWITCH 30/40 AMP 3 POLE	0.54	\$ 554.46
60 AMP DISCONNECT	DISCONNECT SWITCH 60/80 AMP 3 POLE	0.60	\$ 739.27
100 AMP DISCONNECT	DISCONNECT SWITCH 100 AMP 3 POLE	0.60	\$ 883.89
45-53	LATCH FOR ACCESS DOOR	0.05	\$ 11.18
45-27	PKB HANDLE	2.00	\$ 5.59
45-26	PKB SERIES ONLY - LEGS FOR SINGLE PHASE	3.00	\$ 62.60
45-25	PKB SERIES ONLY - LEGS FOR THREE PHASE	5.60	\$ 62.60
45-18	KB LOUVER	0.18	\$ 4.47

Replacement Fans

UPC #093319 STOCK ORDER #	DESCRIPTION	WT (LBS)	LIST PRICE
FV870CW30S50F41604A	9" 5 BLADE FANS	0.30	\$ 20.59
FV100CW30S50F416018	10" 5 BLADE FANS	0.18	\$ 19.88
12643-7	10" 4 BLADE FANS	0.32	\$ 28.59
410A36SHS6	10" W/ HUB FANS	0.30	\$ 54.94
12371-3	11" 4 BLADE FANS W/O HUB	0.40	\$ 34.94
21854-1	11" 4 BLADE FANS W/ HUB	0.46	\$ 54.94
F02Y14-1427-31CWD	14" FANS	0.50	\$ 103.96

Replacement Elements - KB - PKB

KW	208V	240V	480V	WT (LBS)	LIST PRICE
	UPC #093319 STOCK ORDER #	UPC #093319 STOCK ORDER #	UPC #093319 STOCK ORDER #		
1 KW		ELE-4.16KW480V	ELE-1KW480V	3.80	\$ 163.62
2 KW	ELE-2.5KW240V	ELE-2.5KW240V	ELE-2.5KW480V	3.80	\$ 163.62
3 KW	ELE-4.16KW240V	ELE-3.3KW240V	ELE-3.3KW480V	3.80	\$ 163.62
4 KW	ELE-5KW240V	ELE-4.16KW240V	ELE-4.16KW480V	3.80	\$ 163.62
5 KW	ELE-5KW208V	ELE-5KW240V	ELE-5KW480V	3.80	\$ 163.62
6 KW	ELE-8KW240V: \$253.80	ELE-6KW240V	ELE-6KW480V	3.80	\$ 163.62
7 KW	ELE-9KW240V: 261.90	ELE7KW240V	ELE-7KW480V	4.60	\$ 253.80
8 KW	ELE-10KW240V: \$261.90	ELE-8K240V	ELE-8KW480V	4.60	\$ 253.80
9 KW		ELE-9KW240V	ELE-9KW480V	5.40	\$ 261.90
10 KW	ELE-10KW208V	ELE-10KW240V	ELE-10KW480V	5.40	\$ 261.90

WATTAGE/ FAN SIZE	208V		240V		480V		WT. (LBS)	
	STOCK ORDER #	LIST PRICE	UPC #093319 STOCK ORDER #	LIST PRICE	UPC #093319 STOCK ORDER #	LIST PRICE		
3W 9"	SP-B3BAR28	\$ 291.06	SP-B3BAR2	\$ 291.06			1.00	
5W 9"	SP-B5BAR28	\$ 244.82	SP-B5BAR2	\$ 244.82			1.00	
9W 9"			SP-B9BR2	\$ 358.82	SP-B9BR8	\$ 358.82	2.90	
16W 10"			ESP-L16EMR2	\$ 358.82	ESP-L16EMR4	\$ 358.82	4.10	
25W 10"			ESP-B25EMR2	\$ 427.88	ESP-L25EMR4	\$ 427.88	4.10	
35W 10"			SP-B35EMR2	\$ 454.35	ESP-L35EMR4	\$ 454.35	4.15	
50W 12"			ESP-OL50EMR2	\$ 488.71	ESP-OL50EMR4	\$ 488.71	5.60	
KB ECO PARTS								
	UPC #093319 STOCK ORDER #		DESCRIPTION				WT. (LBS)	LIST PRICE
	617445		ECO-2S PCB POWER BOARD W/ TEMP SENSOR				0.50	\$ 85.41
	67007		ECO-2S DISPLAY BOARD				0.50	\$ 23.29
	67009		ECO-2S PCB POWER BOARD EXTENSION CABEL 21"				0.10	\$ 11.76
	61747		ECO-2S/PLATINUM REMOTE CONTROL				0.25	\$ 21.88
	61748		ECO-2S/PLATINUM REMOTE WALL MOUNT BRACKET				0.25	\$ 6.47

KBS Series - Stainless Steel Unit Heater

Replacement Stainless Steel Elements
(For Replacement Parts, See KB Series)

KW	208V	240V	480V	WT (LBS)	LIST PRICE
	UPC #093319 STOCK ORDER #	UPC #093319 STOCK ORDER #	UPC #093319 STOCK ORDER #		
1 KW		ELE-M4KW480V	ELE-M1.6KW480V	3.80	\$ 501.12
2 KW	ELE-M2.5KW240V	ELE-M2.5KW240V	ELE-M2.5KW480V	3.80	\$ 501.12
3 KW	ELE-M4.16KW240V	ELE-M3.3KW240V	ELE-M3.3KW480V	3.80	\$ 501.12
4 KW	ELE-M5KW240V	ELE-M4.16KW240V	ELE-M4.16KW480V	3.80	\$ 501.12
5 KW	ELE-M7KW240V	ELE-M5KW240V	ELE-M5KW480V	3.80	\$ 501.12
6 KW		ELE-M6KW240V	ELE-M6KW480V	3.80	\$ 501.12
7 KW		ELE-M7KW240V	ELE-M7KW480V	3.80	\$ 501.12

PCK Series - Heavy-Duty Portable Unit Heater

WATTAGE	208V		240V		480V		WT. (LBS)
	STOCK ORDER #	LIST PRICE	UPC #093319 STOCK ORDER #	LIST PRICE	UPC #093319 STOCK ORDER #	LIST PRICE	
1			ELE-4.16KW 480V	\$ 163.62			3.80
2			ELE-2.5KW240V	\$ 163.62	ELE-2.5KW480V	\$ 163.62	3.80
3	ELE-4.16KW240V	\$ 163.62	ELE-3.3KW240V	\$ 163.62	ELE-3.3KW480V	\$ 163.62	3.80
4			ELE-4.16KW240V	\$ 163.62	ELE-4.16KW480V	\$ 163.62	3.80
5	ELE-5KW208V	\$ 163.62	ELE-5KW240V	\$ 163.62	ELE-5KW480V	\$ 163.62	3.80
6	ELE-8KW240V	\$ 253.80	ELE-6KW240V	\$ 163.62	ELE-6KW480V	\$ 163.62	3.80
7			ELE-7KW240V	\$ 253.80	ELE-7KW480V	\$ 253.80	4.60
8			ELE-8KW240V	\$ 253.80	ELE-8KW480V	\$ 253.80	4.60
10	ELE-10KW208V	\$ 261.90	ELE-10KW240V	\$ 261.90	ELE-10KW480V	\$ 261.90	5.50
11			ELE-11KW240V	\$ 261.90	ELE-11KW480V	\$ 261.90	5.50

UPC #093319 STOCK ORDER #	DESCRIPTION	WT. (LBS)	LIST PRICE
60T11-313198	AUTO. LIMIT CONTROL 175°	0.04	\$ 26.12
4000-09-E07K999	LOW VOLTAGE TRANSFORMER 40VA 240/208/24	1.50	\$ 44.59
4000-03-E07J999	LOW VOLTAGE TRANSFORMER 40VA 277/24	1.50	\$ 117.06
4000-51-E07K999	LOW VOLTAGE TRANSFORMER 40VA 380/24	1.50	\$ 150.47
4000-04-E07K999	LOW VOLTAGE TRANSFORMER 40VA 480/24	1.50	\$ 46.24
KB DPC 50A 24V COIL	CONACTOR 50 AMP 3 POLE 24V COIL	1.25	\$ 100.82
15SH1-309571	FAN DELAY SWITCH	0.10	\$ 51.88
ELD-5-034	LOW VOLTAGE TERMINAL BLOCK	0.04	\$ -
ES4T38S	THERMOSTAT SP 25AMP CAP TUBE	0.30	\$ 24.59
9100233Q999	DOUBLE POLE, DOUBLE THROW	0.36	\$ 84.82

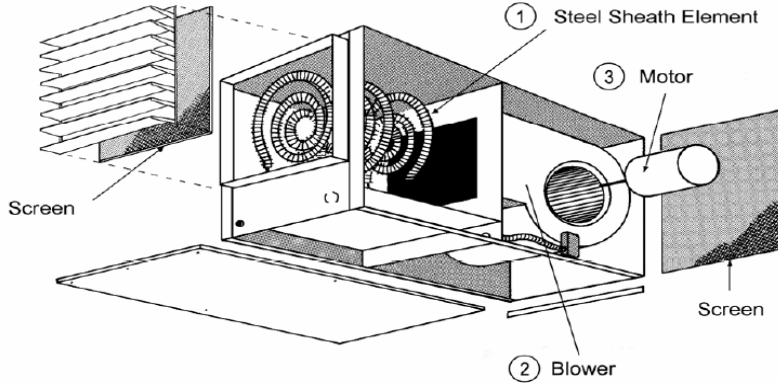
Replacement Motors & Blowers

ITEM	UPC #093319 STOCK ORDER #	DESCRIPTION	WT (LBS)	LIST PRICE
2	FURNACE BLOWER SMALL	USE WITH 1/4 HP MOTOR	10.80	\$ 172.26
	FURNACE BLOWER LARGE	USE WITH 1/2 HP MOTOR	11.80	\$ 227.34
	120-8T-DD-.50PP	FURNACE BLOWER X-LARGE - USE WITH 1/2 HP MOTOR	15.00	\$ 281.88
3	FE1026S	1/4 HP 240V MOTOR	0.50	\$ 480.60
	FEH1026S	1/4 HP 480V MOTOR	9.50	\$ 548.64
	FE1056S	1/2 HP 240V MOTOR	13.60	\$ 421.20
	FEH1056S	1/2 HP 480V MOTOR	13.60	\$ 646.92
	DAO-3GJ005	CAPACITOR 5MF 370V	0.24	\$ 15.66
	DAO-3GJ007.5	CAPACITOR 7.5MF 370V	0.30	\$ 19.44
	DAO-3GJ010	CAPACITOR 10MF 370V	0.30	\$ 22.68

PCK OPTIONS

ITEM	UPC# 093319 STOCK ORDER#	DESCRIPTION	WT (LBS)	LIST PRICE
	PCK-IF	HEAVY-DUTY INDUSTRIAL STEEL FRAME		\$ 2,060.00
	PCK-IFCS	CORD STORAGE SHELF		\$ 300.00
	PCK-OR	OUTDOOR RATED INLET BAFFLE W/ELECTRICAL AND CORD COVER		\$ 1,000.00
	PCK-RC	RAIN SHEDDING COVER ONLY		
	PCK-RB	INLET BAFFLE RAIN DETERENT ONLY		
	RT100	REMOTE THERMOSTAT W/100 FT. CORD		\$ 850.00
	CK-DT	14" X 14" DUCT TO 12" ROUND		

CK Series - Plenum Heater



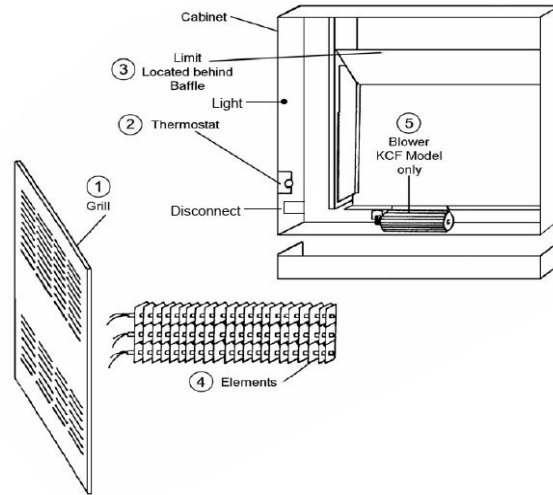
WATTAGE	208V		240V		480V		WT. (LBS)
	STOCK ORDER #	LIST PRICE	UPC #093319 STOCK ORDER #	LIST PRICE	UPC #093319 STOCK ORDER #	LIST PRICE	
1			ELE-4.16KW 480V	\$ 163.62			3.80
2			ELE-2.5KW240V	\$ 163.62	ELE-2.5KW480V	\$ 163.62	3.80
3	ELE-4.16KW240V	\$ 163.62	ELE-3.3KW240V	\$ 163.62	ELE-3.3KW480V	\$ 163.62	3.80
4			ELE-4.16KW240V	\$ 163.62	ELE-4.16KW480V	\$ 163.62	3.80
5	ELE-5KW208V	\$ 163.62	ELE-5KW240V	\$ 163.62	ELE-5KW480V	\$ 163.62	3.80
6	ELE-8KW240V	\$ 253.80	ELE-6KW240V	\$ 163.62	ELE-6KW480V	\$ 163.62	3.80
7			ELE-7KW240V	\$ 253.80	ELE-7KW480V	\$ 253.80	4.60
8			ELE-8KW240V	\$ 253.80	ELE-8KW480V	\$ 253.80	4.60
10	ELE-10KW208V	\$ 261.90	ELE-10KW240V	\$ 261.90	ELE-10KW480V	\$ 261.90	5.50
11			ELE-11KW240V	\$ 261.90	ELE-11KW480V	\$ 261.90	5.50

UPC #093319 STOCK ORDER #	DESCRIPTION	WT. (LBS)	LIST PRICE
60T11-313198	AUTO. LIMIT CONTROL 175°	0.04	\$ 26.12
4000-09-E07K999	LOW VOLTAGE TRANSFORMER 40VA 240/208/24	1.50	\$ 44.59
4000-03-E07J999	LOW VOLTAGE TRANSFORMER 40VA 277/24	1.50	\$ 117.06
4000-51-E07K999	LOW VOLTAGE TRANSFORMER 40VA 380/24	1.50	\$ 150.47
4000-04-E07K999	LOW VOLTAGE TRANSFORMER 40VA 480/24	1.50	\$ 46.24
KB DPC 50A 24V COIL	CONACTOR 50 AMP 3 POLE 24V COIL	1.25	\$ 100.82
15SH1-309571	FAN DELAY SWITCH	0.10	\$ 51.88
ELD-5-034	LOW VOLTAGE TERMINAL BLOCK	0.04	\$ -
ES4T38S	THERMOSTAT SP 25AMP CAP TUBE	0.30	\$ 24.59
9100233Q999	DOUBLE POLE, DOUBLE THROW	0.36	\$ 84.82

Replacement Motors & Blowers

ITEM	UPC #093319 STOCK ORDER #	DESCRIPTION	WT (LBS)	LIST PRICE
2	FURNACE BLOWER SMALL	USE WITH 1/4 HP MOTOR	10.80	\$ 172.26
	FURNACE BLOWER LARGE	USE WITH 1/2 HP MOTOR	11.80	\$ 227.34
	120-8T-DD-.50PP	FURNACE BLOWER X-LARGE - USE WITH 1/2 HP MOTOR	15.00	\$ 281.88
3	FE1026S	1/4 HP 240V MOTOR	0.50	\$ 480.60
	FEH1026S	1/4 HP 480V MOTOR	9.50	\$ 548.64
	FE1056S	1/2 HP 240V MOTOR	13.60	\$ 421.20
	FEH1056S	1/2 HP 480V MOTOR	13.60	\$ 646.92
	DAO-3GJ005	CAPACITOR 5MF 370V	0.24	\$ 10.47
	DAO-3GJ007.5	CAPACITOR 7.5MF 370V	0.30	\$ 16.35
	DAO-3GJ010	CAPACITOR 10MF 370V	0.30	\$ 19.06

KCC & KCF Series -
Cabinet Heater
Replacement Parts



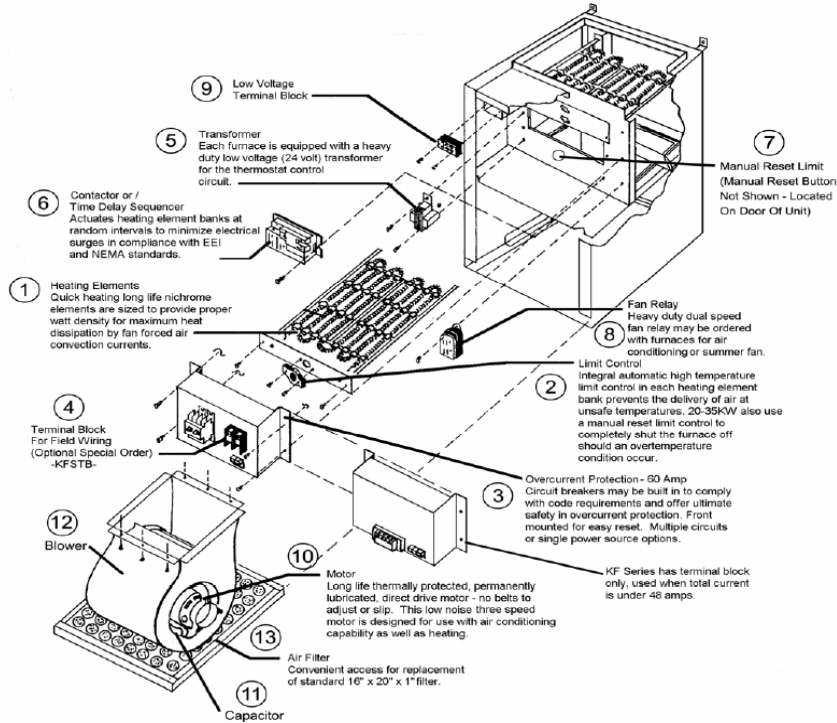
ITEM	UPC #093319 STOCK ORDER #	DESCRIPTION	WT (LBS)	LIST PRICE
1	58-032S	REPLACEMNET GRILL 24" SURFACE	7.10	\$ 243.00
	58-042R	REPLACEMENT GRILL 24" RECESS	8.90	\$ 243.00
	58-033S	REPLACEMENT GRILL 36" SURFACE	10.60	\$ 364.50
	58-043R	REPLACEMENT GRILL 36" RECESS	13.30	\$ 364.50
	58-034S	REPLACEMENTGRILL 48" SURFACE	17.60	\$ 486.00
	58-044R	REPLACEMENT GRILL 48" RECESS	14.70	\$ 486.00
2	ES4T38S	THERMOSTAT - SINGLE POLE	0.35	\$ 75.60
	275-3173-00	THERMOSTAT - DOUBLE POLE	0.35	\$ 95.04
	KBP KNOB	KNOB ONLY	0.04	\$ 4.86
	2822-LOW-HIGH	LABEL ONLY FOR THERMOSTAT	0.01	\$ 4.05
3	BB 2 175	HIGH TEMPERATURE LIMIT FOR MODELS 210-220	0.10	\$ 29.53
	BB 3 175	HIGH TEMPERATURE LIMIT FOR MODELS 325-330	0.10	\$ 31.59
	BB 4 175	HIGH TEMPERATURE LIMIT FOR MODELS 440-450	0.10	\$ 59.67
	LPW/KBP ROTARY	ROTARY 3 POSITION SWITCH (HEAT/FAN/OFF)	0.16	\$ 55.41
	ED-2	INPUT TERMINAL BLOCK 2 POLE 480V	0.18	\$ 31.59
	ED-3	INPUT TERMINAL BLOCK 3 POLE 480V	0.22	\$ 100.98
	KB DPC 50A 240V COIL	CONTACTOR 50 AMP 3 POLE 240/208V COIL	1.25	\$ 100.98
	KB DPC 50A 24V COIL	CONTACTOR 50 AMP 3 POLE 24V COIL	1.25	\$ 100.82
	KB DPC 50A 277 COIL	CONTACTOR 40 AMP 3 POLE 277V COIL	1.25	\$ 96.12
	KB DPC 40A 240V COIL	CONTACTOR 40 AMP 3 POLE 240/208V COIL	1.25	\$ 96.12
	KB DPC 40A 24V COIL	CONTACTOR 40 AMP 3 POLE 24V COIL	1.25	\$ 96.12
	4000-09-E07K999	TRANSFORMER 40VA PRIM 240/208 SEC 24V	1.50	\$ 44.59
	4000-03-E07J999	TRANSFORMER 40VA PRIM 277/24 SEC	1.50	\$ 117.06
	4000-51-E07K999	TRANSFORMER 40VA PRIM 380/24 SEC	1.50	\$ 150.47
	4000-04-E07K999	TRANSFORMER 40VA PRIM 480/24	1.50	\$ 46.24
	DISCONNECT SWITCH 30 AMP 2 POLE 1Ø	0.32	-	
	DISCONNECT SWITCH 30 AMP 3 POLE 3Ø	0.32	-	

ITEM	UPC #093319 STOCK ORDER #	DESCRIPTION	WT (LBS)	LIST PRICE
4	KC-ELE-24	FOR 24" CABINET - PRICE PER EACH ELEMENT USED	0.92	\$ 54.00
	KC-ELE-36	FOR 36" CABINET - PRICE PER EACH ELEMENT USED	1.60	\$ 64.80
	KC-ELE-48	FOR 48" CABINET - PRICE PER EACH ELEMENT USED	1.98	\$ 75.60

KCF Fan Model Only

ITEM	UPC #093319 STOCK ORDER #	DESCRIPTION	WT (LBS)	LIST PRICE
5	240V FF MTR. BLOWER	BLOWER & MOTOR ASSEMBLY 120/208/240/480	1.96	\$ 187.92

KFS & KFUH Series - Electric Furnace



Replacement Parts

ITEM	UPC #093319 STOCK ORDER #	DESCRIPTION	WT (LBS)	LIST PRICE
1	21-2405-00	HEATING ELEMENT 5KW/240V	1.20	\$ 129.28
	21-2405-07	HEATING ELEMENT 5KW/208V	1.20	\$ 135.12
	21-2405-9	HEATING ELEMENT 5KW/480V	1.20	\$ 132.32
	21-2405-2	HEATING ELEMENT 5.75KW/240V	1.20	\$ 143.04
	21-2405-12	HEATING ELEMENT 5.75KW/480V	1.20	\$ 144.12
	21-2405-1	HEATING ELEMENT 4KW/240V	1.20	\$ 120.16
	21-2405-6	HEATING ELEMENT 4KW/480V	1.20	\$ 121.12
	21-2405-15	HEATING ELEMENT 5KW/380V	1.20	\$ 174.11
	21-3413-00	HEATING ELEMENT 3 PHASER 5KW/240V	1.20	\$ 181.12
	21-3413-01	HEATING ELEMENT 3 PHASE 5KW/480V	1.20	\$ 170.56
2	60T11-201936	AUTO. LIMIT CONTROL - 60T11	0.04	\$ 17.82
3	QOU260	CIRCUIT BREAKER 60 AMP 1Ø SQUARE D	0.64	\$ 95.31
	QOU360	CIRCUIT BREAKER 3 POLE 60 AMP 3Ø	1.02	\$ 495.41
4	EB-200	INPUT TERMINAL BLOCK 2P 240V	0.16	\$ 55.65
	ED-2	INPUT TERMINAL BLOCK 2P 480V	0.18	\$ 28.08
	ERB-201	INPUT TERMINAL BLOCK 3P 240V	0.24	\$ 82.82
	ED-3	INPUT TERMINAL BLOCK 3P 480V	0.22	\$ 41.10
5	4000-09-E07K999	LOW VOLTAGE TRANSFORMER 40VA 240/208 SEC 24V	1.50	\$ 76.29
	4000-03-E07J999	LOW VOLTAGE TRANSFORMER 40VA 277/24	1.50	\$ 117.06
	4000-04-E07K999	LOW VOLTAGE TRANSFORMER 40VA 480/24	1.50	\$ 117.06
	4000-51-E07K999	TRANSFORMERS 40VA PRIM. 380/24V SEC.	1.50	\$ 150.47
6	R8330	SEQUENCER (USED PRIOR TO 1981)	0.64	\$ 682.35
	15SH22-30956	SEQUENCER (USED AFTER 1981)	0.22	\$ 125.88
	R8229A	RELAY 28 AMP	0.36	\$ 160.24
	R8246A	RELAY 46 AMP	0.48	\$ 146.71
7	60T25-330976	MANUAL RESET LIMIT	0.02	\$ 167.29
	10935H3	MANUAL RESET BUTTON (NOT SHOWN)	0.12	\$ 118.80
8	9100233Q999	DOUBLE POLE, DOUBLE THROW	0.36	\$ 84.82
9	ELD-5-034	LOW VOLTAGE TERMINAL BLOCK	0.04	\$ 14.31
10	5KSP39FGW057AS	1/5 HP 240V MOTOR	9.50	\$ 297.00
	5KSP39FGW244S	1/5 HP 480V MOTOR	9.30	\$ 626.47
	5KCP39MGE250AS	1/3 240V HP MOTOR	13.60	\$ 391.76
	5KCP39MGG136S	1/3 HP 480V MOTOR	13.50	\$ 638.71
	CALL FACTORY	1/2 HP 240V MOTOR	13.60	\$ 645.84
	KCP39MGJ185S	1/2 HP 480V MOTOR	13.60	\$ 659.29
	DAO-3GJ005	CAPACITOR 5MF 370V	0.24	\$ 15.66

11	DAO-3GJ007.5 DAO-3GJ010	CAPACITOR 7.5MF 370V CAPACITOR 10MF 370V	0.30 0.30	\$ 19.44 \$ 22.68
12	FURNACE BLOWER SMALL	BLOWER SMALL FOR 1/5 HP MOTORS	10.80	\$ 279.18
	FURNACE BLOWER LARGE	BLOWER LARGE FOR 1/3, 1/2 HP MOTORS	11.80	\$ 296.18
	120-8T-DD-.50PP	BLOWER X-LARGE FOR 1/2 HP MOTORS	15.00	\$ 551.41
13	16X20X1	AIR FILTER 1" X 16" X 20"	0.16	\$ 12.96
	50-31	BOTTOM SCREEN	0.80	\$ 50.31
	QOU14100BALB	4 POLE JUMPER BAR FOR SQD C/B	1.34	\$ 181.18
	QOU16150BALB	6 POLE JUMPER BAR FOR SQD C/B	2.00	\$ 223.88
	50-32	TOP HARDWARE CLOTH	0.20	\$ 11.18

Hyrdonic Small

Replacement Elements



HEATER MODEL	UPC #093319 STOCK ORDER #	DESCRPTION	WT (LBS)	LIST PRICE
H412 2/3	HI-2/3 4 FPI	3.0X9.625, 2 ROW OR 4 TUBES, 4 FPI FOR H4	2.9	\$ 274.35
H412 3/4	HI-3/4 8 FPI	3.0X9.625, 2 ROW OR 4 TUBES, 8 FPI FOR H4	2.9	\$ 407.06
H612 4/5	HI-4/5 4 FPI	4.5X9.625, 3 ROW, 6 TUBES, 4 FPI FOR H612	2.9	\$ 441.29
H612 6/8	HI-6/8 8 FPI	4.5X9.625, 3 ROW, 6 TUBES, 8 FPI FOR H612	2.9	\$ 441.29

Replacement Motor & Electrical Assembly

HEATER MODEL	UPC #093319 STOCK ORDER #	DESCRPTION	WT (LBS)	LIST PRICE
H412 2/3	HS BLOWER MOTOR	*120V or 240V,50/60Hz,60MMX240MM 2SPEED CROS		\$ 116.24
H412 3/4	HS BLOWER MOTOR	*120V or 240V,50/60Hz,60MMX240MM 2SPEED CROS		\$ 116.24
H612 4/5	HS BLOWER MOTOR	*120V or 240V,50/60Hz,60MMX240MM 2SPEED CROS		\$ 116.24
H612 6/8	HS BLOWER MOTOR	*120V or 240V,50/60Hz,60MMX240MM 2SPEED CROS		\$ 116.24

* Includes mounting plate and terminal block

Accessories (Aquastat, Fan Switch, Terminal Block)

PART NUMBER	UPC #093319 STOCK ORDER #	DESCRPTION	WT (LBS)	LIST PRICE
AQUASTAT	60905	#39TVE32 PLASTIC 114F CLOSED & 98F OPEN TEMP	N/A	\$ 34.25
AQUASTAT 1/2"	66714	PLASTIC 114F CLOSED & 98F OPEN TEMP - 250V/10A	N/A	\$ 50.59
100 HYDRO FAN SWITCH	81040	HYDRONIC FAN SWITCH ASSEMBLY **MADE IN HOUSE**	N/A	\$ 61.41
HTB-2R	61164	TERMINAL BLOCK H412 SERIES W/RESISTOR	N/A	\$ 20.47
HSTB11	61163	INPUT TERMINAL BLOCK H612 & HT WATER HEATER		\$ 13.53

Hydronic Toe-Space, Under-Cabinet

Replacement Elements



HEATER MODEL	UPC #093319 STOCK ORDER #	DESCRPTION	WT (LBS)	LIST PRICE
HT412 2/3	HI-2/3 4 FPI	3.0X9.625, 2 ROW OR 4 TUBES, 4 FPI FOR H4		\$ 274.35
HT612 4/5	HI-4/5 4 FPI	4.5X9.625, 3 ROW, 6 TUBES, 4 FPI FOR H612		\$ 441.29
HT812 5/7	HIT-5/7 8 FPI	LRG HEATING COIL FOR HTI TOE SPACE MODEL		\$ 381.06

Replacement Motors

HEATER MODEL	UPC #093319 STOCK ORDER #	DESCRPTION	WT (LBS)	LIST PRICE
HT412 2/3	HT BLOWER AND MOTOR	*120V HT 40X240MM 2 SPEED MOTOR		\$ 111.76
HT612 4/5	HT BLOWER AND MOTOR	*120V HT 40X240MM 2 SPEED MOTOR		\$ 111.76
HT812 5/7	HT BLOWER AND MOTOR	*120V HT 40X240MM 2 SPEED MOTOR		\$ 111.76

* Includes mounting plate and terminal block

Accessories (Aquastat, Fan Switch, Terminal Block)

PART NUMBER	UPC #093319 STOCK ORDER #	DESCRPTION	WT (LBS)	LIST PRICE
AQUASTAT	60905	#39TVE32 PLASTIC 114F CLOSED & 98F OPEN TEMP	N/A	\$ 34.24
AQUASTAT 1/2"	66714	PLASTIC 114F CLOSED & 98F OPEN TEMP - 250V/10A	N/A	\$ 50.59

100 HYDRO FAN SWITCH	81040	HYDRONIC FAN SWITCH ASSEMBLY **MADE IN HOUSE**	N/A	\$ 61.41
HTB-2R	61164	TERMINAL BLOCK H412 SERIES W/RESISTOR	N/A	\$ 20.47
HSTB11	61163	INPUT TERMINAL BLOCK H612 & HT WATER HEATER		\$ 13.53

Hydronic Medium & Hydronic Medium with ECM Motors

Replacement Elements



HEATER MODEL	UPC #093319 STOCK ORDER #	DESCRIPTION	WT (LBS)	LIST PRICE
HM812 6/9	HI-6/8 8 FPI	4.5X9.625, 3 ROW, 6 TUBES, 8 FPI FOR H612		\$ 441.29
HM812 8/11	10/13 LRG HTG COIL	HM 10/13 MEDIUM/LARGE COIL FOR HYDRONICS		\$ 375.88
HM1012 10/13	10/13 LRG HTG COIL	HM 10/13 MEDIUM/LARGE COIL FOR HYDRONICS		\$ 375.88
HM1012 11/15	11/15 LRG HTG COIL	HM 11/15 LARGE COIL 8FPI 5ROWS FOR HI10/8 FPI		\$ 617.76

Replacement Motors

HEATER MODEL	UPC #093319 STOCK ORDER #	DESCRIPTION	WT (LBS)	LIST PRICE
HM812 6/9	SP-B3BAR1	MOTOR 115/120V 3W/4WATT - LPW/ EFW		\$ 282.82
HM812 8/11	SP-B5BAR1	KBP 5W 120V MOTOR - ALUMINUM		\$ 236.94
HM1012 10/13	SP-B3BAR1	MOTOR 115/120V 3W/4WATT - LPW/ EFW		\$ 282.82
HM1012 11/15	SP-B5BAR1	KBP 5W 120V MOTOR - ALUMINUM		\$ 236.94
HME812 8/11	ECM 5W 115/120V MTR	UNITRONIX/ECM HLE1412-15/20 MTR. 38A 60Hz 1400RPM/10MIN	10.3	\$ 532.59
HME1012 11/15	ECM 5W 115/120V MTR	UNITRONIX/ECM HLE1412-15/20 MTR. 38A 60Hz 1400RPM/10MIN	10.3	\$ 532.59

Accessories

HEATER MODEL	UPC #093319 STOCK ORDER #	DESCRIPTION	WT (LBS)	LIST PRICE
AQUASTAT	60905	#39TVE32 PLASTIC 114F CLOSED & 98F OPEN TEMP	N/A	\$ 34.24
AQUASTAT 1/2"	66714	PLASTIC 114F CLOSED & 98F OPEN TEMP - 250V/10A	N/A	\$ 50.59
100 HYDRO FAN SWITCH	81040	HYDRONIC FAN SWITCH ASSEMBLY **MADE IN HOUSE**	N/A	\$ 61.41
HLTB	61941	INPUT TERMINAL BLOCK 50 OHM HL HYDRONIC SERIES	0.04	\$ 19.18
HLETB	61942	INPUT TERMINAL BLOCK HLE MODEL HYDRONIC SERIES W/ECM MOTOR	0.04	\$ 15.53

Hydronic Large & Hydronic Large with ECM.

Replacement Elements



HEATER MODEL	UPC #093319 STOCK ORDER #	DESCRIPTION	WT (LBS)	LIST PRICE
HL1012 8/11	10/13 LRG HTG COIL	10/13 LARGE HEATING COIL FOR HYDRONICS	3.48	\$ 375.88
HL1412 15/20	HLI-14 4 FPI	HYDRONIC COIL 15/20 4 FINS/IN 14 TUBES	2.9	\$ 999.41
HL1412 20/25	HLI-14 8 FPI	HYDRONIC COIL 20/25 8 FINS/IN 14 TUBES	2.9	\$ 1,087.65
HLE1012 11/15	11/15 LRG HTG COIL	HM 11/15 LARGE COIL 8FPI 5ROWS FOR HI10/8		\$ 617.76
HLE1412 15/20	HLI-14 4 FPI	HYDRONIC COIL 15/20 4 FINS/IN 14 TUBES		\$ 999.41

Replacement Motors

HEATER MODEL	UPC #093319 STOCK ORDER #	DESCRIPTION	WT (LBS)	LIST PRICE
HL1012 8/11	SP-B3BAR1	MOTOR 115/120V 3W/4WATT - LPW/ EFW	2.28	\$ 282.82
HL1412 15/20	SP-B5BAR1	KBP 5W 120V MOTOR - ALUMINUM	2.28	\$ 236.94
HL1412 20/25	SP-B5BAR1	KBP 5W 120V MOTOR - ALUMINUM	2.28	\$ 236.94
HLE1012 11/15	ECM 5W 115/120V MTR	UNITRONIX/ECM HLE1412-15/20 MOTOR .38A 60	10.3	\$ 532.59
HLE1412 15/20	ECM 5W 115/120V MTR	UNITRONIX/ECM HLE1412-15/20 MOTOR .38A 60	10.3	\$ 532.59

Accessories

HEATER MODEL	UPC #093319 STOCK ORDER #	DESCRIPTION	WT (LBS)	LIST PRICE
AQUASTAT	60905	#39TVE32 PLASTIC 114F CLOSED & 98F OPEN TEMP	N/A	\$ 34.24
AQUASTAT 1/2"	66714	PLASTIC 114F CLOSED & 98F OPEN TEMP - 250V/10A	N/A	\$ 50.59
100 HYDRO FAN SWITCH	81040	HYDRONIC FAN SWITCH ASSEMBLY **MADE IN HOUSE**	N/A	\$ 61.41
HLTB	61941	INPUT TERMINAL BLOCK 50 OHM HL HYDRONIC SERIES	0.04	\$ 19.18
HLETB	61942	INPUT TERMINAL BLOCK HLE MODEL HYDRONIC SERIES W/ECM MOTOR	0.04	\$ 15.53



Smart Heating Solutions

King: A Technology Leader

Since 1958 King Electrical Manufacturing Company has been a leader in the heating industry, with several innovative patents. In this age of corporate conglomeration, big business, and a global economy, King is still proudly family-owned.

In our over 55 years of business we have seen exciting changes in the comfort and convenience of heating products. Technology has improved to create exciting new possibilities for innovations in heating systems. King continues to emphasize research and development, product quality, and genuine pride to ensure that our customers enjoy the best heating solutions possible.

Residential, commercial or industrial electric heat: at King we anticipate your needs and provide you with the best products and solutions!

