

Vandal Resistant Heater LPWW Series



Model Code:

LPWW	24	15	-TP
A	B	C	D
A: Series			
B: 12 - 120V 24 - 240V			
20 - 208V 27 - 277V			
C: Watts (500 to 1500)			
D: Thermostat (optional)			



- Pic-A-Watt® element
- Impact/Vandal resistant
- Cast iron motor
- 5-Blade aluminum fan
- Patent Smart Limit Protection®
- Multiple wattages
- 3/16" plate steel grill
- Selector switch: fan/heat/off
- Available in 120, 208, 240, or 277 volts
- Standard color: White
- 5-year limited warranty



The LPWW Vandal Resistant Heater

High traffic areas, such as detention areas, public rest rooms, rest areas, and any public areas needing vandal resistance are best heated with the LPWW Series. The heavy grill and 3/16" solid steel frame can withstand heavy impact and abuse. Tamper-resistant screws prevent unauthorized disassembly of the grill. Controls are recessed out of reach of fiddling fingers. Moderate wattage and high airflow capacities replenish entryways and hallways to prevent drafts from entering the building's core. Minimum and maximum security level 3 & 4.

Ordering Information *Add suffix -BZ for Bronze finish

MODEL	UPC	VOLTS	WATTS	AMPS	SHIP WEIGHT lbs
LPWW1215	18286	120	1250 • 1500	10.4-12.5	24
LPWW2015	18287	208	500•750•1000•1500	2.4-7.2	24
LPWW2415	18288	240/208*	500•750•1000•1500	2.1-6.3	24
LPWW2715	18289	277	500•750•1000•1500	1.8-5.4	24

*Dual rated heaters will draw 13% less amps and 25% less wattage when operated at 208V.

Engineering Specifications

Contractor shall supply and install LPWW Vandal Resistant Series in-wall mounted forced-air electric heater manufactured by King Electrical Mfg. Company, of the wattage and voltage as indicated on the plans.

Grill: Heavy 3/16" thick plate with 5/16" hole pattern grille provides high impact resistance to damage. Grill is attached with tamper-proof 1/4"-20 screws (hex socket/pinned). All controls are accessed through grill with slotted screwdriver. Standard color is white. Optional dark bronze available.

Elements: Element assemblies shall consist of steel sheathed heating tubes in a furnace brazed, plate-finned, block design. Each sheathed tube shall contain coiled Ni-Chrome wire embedded in an insulator of Magnesium Oxide. The element assembly shall provide wattage configurations available for selection during field installation. The use of external resistors, diodes, or other weak links to obtain multiple wattages will not be accepted.

Optional Built-in Thermostat: Single Pole factory installed hydraulic capillary tube with precision control. Operating range 40°F to 90°F. Thermostat is tamper-proof to prevent unauthorized adjustment.

Fan Delay Switch: The fan continues to operate after the thermostat shuts off in order to remove the residual heat remaining in the elements.

Fan / Heat / Off Switch: Tamper-proof 3-position switch provides heating and summer fan-only operation. The DPST off switch provides a "positive off" that disconnects all ungrounded conductors. Controls are accessed through grill with slotted screwdriver.

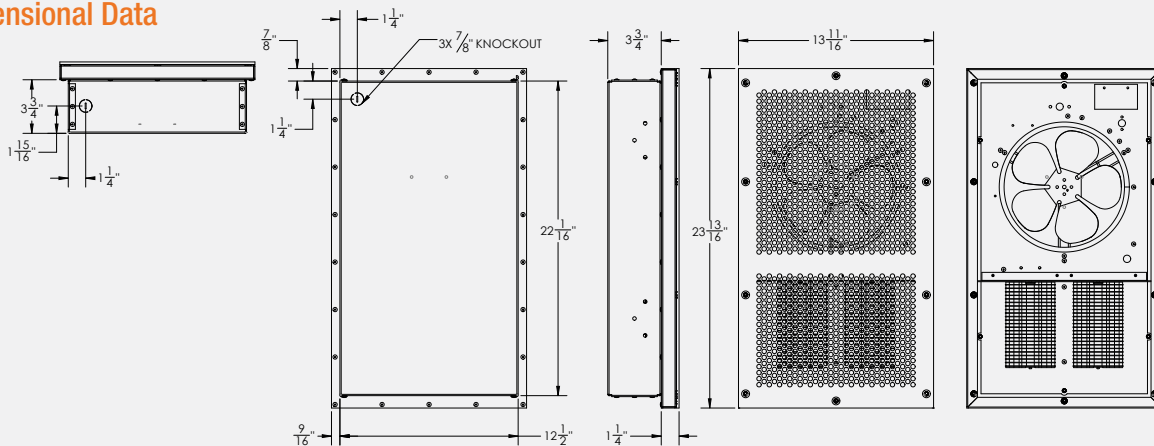
Unit Bearing Motor: Permanently lubricated cast iron motor with enclosed rotor provides long-lasting, trouble-free operation and a 20cc oil reservoir. Thermally protected. 1300 RPM.

Thermal Overload: Heaters shall be equipped with King's patented thermal overload Smart Limit Protection®, which disconnects elements and motor in the event normal operating temperatures are exceeded. If thermal overload trips due to abnormal operating temperatures, thermal overload shall remain open until manually reset by turning the heater off for 15 minutes.

Wall-box: 20 gauge electro-galvanized steel with 18 gauge reinforcements. Factory installed ground-wire. Minimum 4" clearance to floors and 6" to sidewalls. Zero clearance to combustibles in the wall. Recommended 10" clearance to floors and 16" to sidewalls. Optional Circuit Breaker / Disconnect

Approvals: cULus

Dimensional Data



Options/Accessories

ADD SUFFIX	DESCRIPTION	WEIGHT lbs
-BZ	Grill - Bronze	24
-W	Grill - White	24
-CT24	Transformer that converts 208, 240 and 277 Volts to 24 Volt Control Circuit	24.5
-TP	Factory Installed Tamper-proof Thermostat	24
-CB	Circuit Breaker / Disconnect 20A	0.5

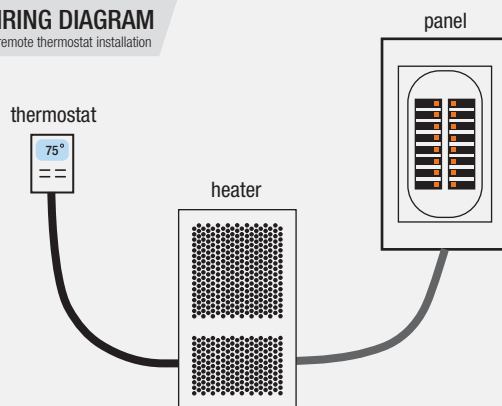
MODEL	UPC	DESCRIPTION	WEIGHT lbs
LPWICV	12593	Recess Wall Can	6.5
LPWSAV	12594	Surface Mount Wall Box White	6.5
LPWSAV-BZ	12596	Surface Mount Wall Box Bronze	3.0

Exploded View



WIRING DIAGRAM

for remote thermostat installation



Power must be routed to heater first, then to remote thermostat.

Tamper-proof Screw

Grill is attached with tamper-proof 1/4"-20 screws (hex socket/pinned).

