



# Compact Fan Forced Cabinet Heater KCF Series



### Model Code:

KCF 2/3/4 -24 20 -1 -R -T -DS1 -PW  
A B C D E F G H I

- A: Series
- B: Length
- C: 20 - 208V 24 - 240V  
27 - 277V 48 - 480V
- D: Watts (20=2000 - 50=5000)
- E: -1 single phase -3 three phase
- F: Recess or Surface mount
- G: Single Pole Thermostat
- H: Double Pole Disconnect Switch
- I: Cabinet Color

- Fan-Forced heat
- Aluminum fin element
- Squirrel cage blower
- 1 or 3-phase
- Standard color: almond
- High mass ceramic element
- 18 gauge cabinet
- Capillary safety tube limit
- Powder-coated
- 5-year limited warranty



## The KCF Series Cabinet Heater

The King heavy-duty KCF cabinet heater can be placed almost anywhere. Typical uses are hall or entryways where a deep cabinet heater would be too intrusive. The slim design is great for schools, office, air terminals, auditoriums, apartments, restaurants, churches, factory's, theaters and other locations where a clean impact resistant 18 gauge construction and entry way or comfort heating is needed. The KCF uses the time tested ceramic core heating elements that King developed over 50 years ago and have a very long life. Available in a slim 4" surface mount or the recess in wall installation. A sub-base is available when installing close to the floor to fill the gap. Thermostats, Contactors and Disconnect switches are available as options. Textured powder coated finish, available in (5) designer colors. KCF model adds quiet tangential fans in the bottom of the cabinet to help move the heated air out of the cabinet. KCF model is not for residential use unless you add the Manual reset limit option.

### 5 DESIGNER COLORS AVAILABLE



Pearl White



White Dove



Almondine



Satin Nickel



Oiled Bronze

### Step 1: Ordering Information - single phase base models

\*Important: To Order A Complete Unit, Follow Steps 1 thru 5 To Determine Complete Model Number

	MODEL	VOLTS	WATTS	1-PH AMPS	BTUH	CONTROL VOLTAGE	#of BLOWERS	CFM	LENGTH	SHIP WEIGHT lbs
208V	KCF2-2010-1	208	1000	4.8	3.4	208V	1	70	24"	35
	KCF2-2020-1	208	2000	9.6	6.8	208V	1	70	24"	35
	KCF3-2030-1	208	3000	14.4	10.2	208V	2	140	36"	45
	KCF4-2040-1	208	4000	19.2	13.6	208V	3	210	48"	55
	KCF4-2050-1	208	5000	24	17	208V	3	210	48"	55
240V	KCF2-2410-1	240	1000	4.2	3.4	240V	1	70	24"	30
	KCF2-2420-1	240	2000	8.3	6.8	240V	1	70	24"	35
	KCF3-2430-1	240	3000	12.5	10.2	240V	2	140	36"	45
	KCF4-2440-1	240	4000	16.7	13.6	240V	3	210	48"	55
	KCF4-2450-1	240	5000	20.8	17	240V	3	210	48"	55
277V	KCF2-2710-1	277	1000	3.6	3.4	277V	1	70	24"	30
	KCF4-2720-1	277	2000	7.2	6.8	277V	1	70	24"	35
	KCF3-2730-1	277	3000	10.3	10.2	277V	2	140	36"	45
	KCF4-2740-1	277	4000	14.4	13.6	277V	3	210	48"	55
	KCF4-2750-1	277	5000	18	17	277V	3	210	48"	55
480V	KCF2-4810-1	480	1000	2.1	3.4	277V	1	70	24"	30
	KCF2-4820-1	480	2000	4.2	6.8	277V	1	70	24"	35
	KCF3-4830-1	480	3000	6.5	10.2	277V	2	140	36"	45
	KCF4-4840-1	480	4000	8.3	13.6	277V	3	210	48"	55
	KCF4-4850-1	480	5000	10.4	17	277V	3	210	48"	55

# Compact Fan Forced Cabinet Heater KCF Series

## Step 1: Ordering Information - three phase base models

\* Important: To Order A Complete Unit, Follow Steps 1 thru 5 To Determine Complete Model Number

\*\* Note: 3-Phase models come standard with power contactor

	MODEL	VOLTS	WATTS	3-PH AMPS	BTUH	CONTROL VOLTAGE	#of BLOWERS	CFM	LENGTH	SHIP WEIGHT lbs	
<b>208V</b>	KCF2-2010-3	208	1000	2.8	3.442	208V	1	70	24"	35	
	KCF2-2020-3	208	2000	5.6	6.8	208V	1	70	24"	35	
	KCF3-2030-3	208	3000	8.3	10.2	208V	2	140	36"	45	
	KCF4-2040-3	208	4000	11.1	13.6	208V	3	210	48"	55	
<b>240V</b>	KCF4-2050-3	208	5000	13.9	17	208V	3	210	48"	55	
	KCF2-2410-3	240	1000	2.4	3.4	240V	1	70	24"	30	
	KCF2-2420-3	240	2000	4.8	6.8	240V	1	70	24"	35	
	KCF3-2430-3	240	3000	7.2	10.2	240V	2	140	36"	45	
	KCF4-2440-3	240	4000	9.6	13.6	240V	3	210	48"	55	
<b>480V</b>	KCF4-2450-3	240	5000	12.0	17	240V	3	210	48"	55	
	KCF2-4810-3	480	1000	1.2	3.4	277V	1	70	24"	30	
	KCF2-4820-3	480	2000	2.4	6.8	277V	1	70	24"	35	
	KCF3-4830-3	480	3000	3.6	10.2	277V	2	140	36"	45	
	KCF4-4840-3	480	4000	4.8	13.6	277V	3	210	48"	55	
		KCF4-4850-3	480	5000	6	17	277V	3	210	48"	55

## Step 2: Ordering Information - Required Factory Installed Mounting Option

ADD SUFFIX	DESCRIPTION
-R	Recessed Mount
-S	Surface Mount

## Step 3: Ordering Information - Required Factory Installed Control Option

ADD SUFFIX	DESCRIPTION
-T	25 Amp Single Pole Thermostat w/Knob
-T2	25 Amp Double Pole Thermostat w/Knob
-TP	25 Amp Tamperproof (slotted shaft), single pole
-RT	Provision For Remote Line Voltage Thermostat: Line Voltage Terminal Block Installed
-RT24	Provision For Remote Low Voltage Thermostat: 24 Volt Contactor & Transformer Installed

## Step 4: Ordering Information - Optional Factory Installed Control Options

ADD SUFFIX	DESCRIPTION
-CX	Power Contactor (1-Phase Models Only) *Comes Standard on 3-Phase Models
-3PS	3-Position Switch
-DS1	Double Pole Disconnect Switch (1-Phase)
-DS3	Three Pole Disconnect Switch (3-Phase)

## Step 5: Ordering Information - Required Color Grill Option

ADD SUFFIX	DESCRIPTION
-PW	Pearl White Color
-WD	White Dove Color
-AD	Almondine Color
-SN	Satin Nickel Color
-OB	Oiled Bronze Color

## Ordering Information - Optional Field Installed Accessories

MODEL	UPC	DESCRIPTION
KC-SB-24	20319	KC ACCY SUB-FLOOR BASE 24" WIDE, 2" TALL, 3" DEEP
KC-SB-36	20316	KC ACCY SUB-FLOOR BASE 36" WIDE, 2" TALL, 3" DEEP
KC-SB-48	20317	KC ACCY SUB-FLOOR BASE 48" WIDE, 2" TALL, 3" DEEP

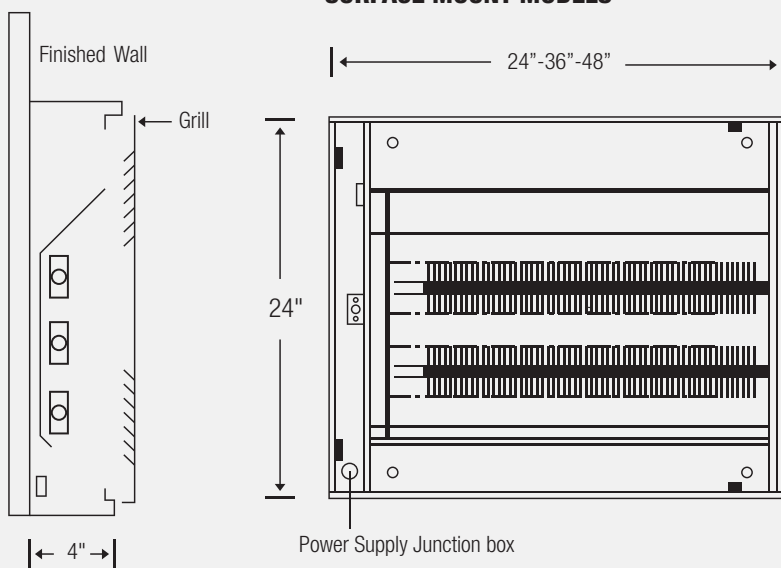
# Compact Fan Forced Cabinet Heater KCF Series

## Control Options

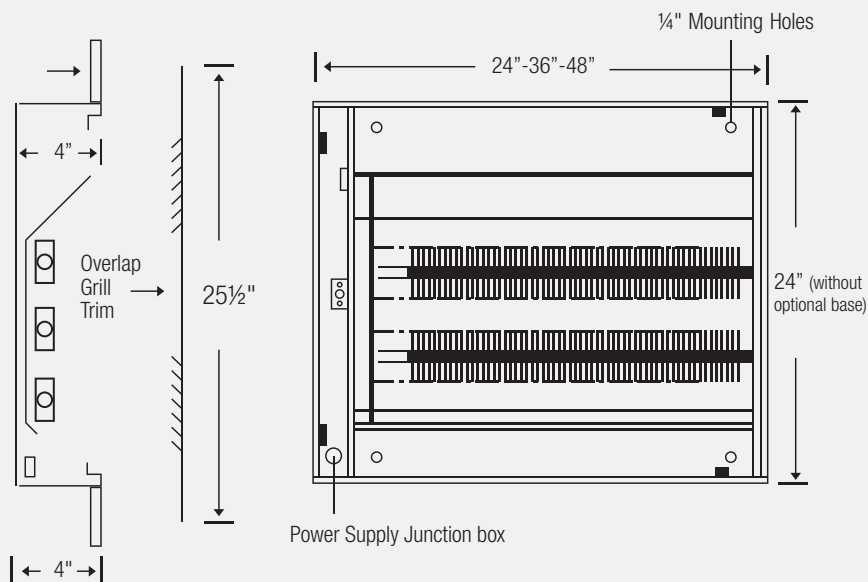
- A line voltage terminal block can be provided for wiring to a remote line voltage thermostat.
- A power contactor with line voltage coil can be provided to remotely switch the heater. Optional for 1-Phase Models Only-Comes Standard on 3-Phase Models
- A power contactor and 24V transformer can be provided to remotely switch the heater. Standard on 480V models.
- A 2-Pole disconnect switch can be provided for 1-Phase heaters.
- A 3-Pole disconnect can be provided for 3-Phase heaters.
- A floor sub-base can be provided for direct floor contact.
- A built-in 1-Pole thermostat can be provided for convenience
- A built-in 2-Pole thermostat can be provided for convenience.
- A tamperproof built-in thermostat can be provided without a knob, temperature adjustments are made with a screw driver.

## Dimensional & Mounting Data

### SURFACE MOUNT MODELS



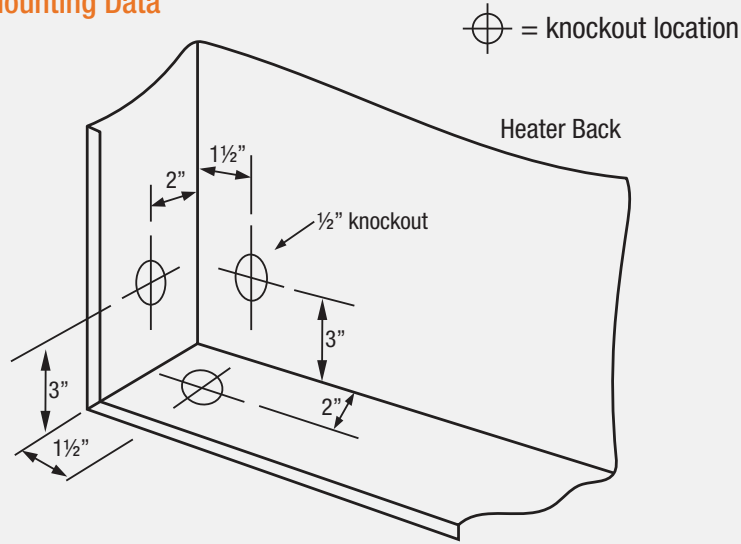
### RECESSED MOUNT MODELS



**MOUNTING NOTE:** 1" minimum mounting height from finished floor to allow clearance for the grill overlap.

# Safe Touch Cabinet Heater KCF Series

## Dimensional & Mounting Data



## Engineering Specifications

Contractor shall supply and install KCC Series cabinet heaters manufactured by King Electrical Mfg. Company. Heaters shall be of the wattage and voltage as indicated on the plans.

**Construction:** Heaters shall be constructed in 18 gauge galvanized Steel with epoxy powder-coated manufacturer's standard finish. A louvered front cover with intake and outlet grille will protect element area and provide ample air flow to dissipate heated air.

**Element:** The superior performance comes from the proven technology of the ceramic thermal storage heater core. A 7/8" diameter aluminum tube is filled with a special high density ceramic that stores the thermal energy. The oversized fins (4.875 in<sup>2</sup>) are made from durable (0.015" thick) high grade aluminum which produces better heat transfer than other elements. The benefit of the technology comes when the thermostat

is turned off and the element continues to radiate heat. It also reduces temperature swings by heating and cooling more evenly. A fired refractory ceramic core with two large diameter Nickel Chromium coils attached with high temperature Nickel connectors and stranded Nickel wire, terminated in a junctionbox.

**Controls:** A built-in thermal cutout shall automatically shut off the heater in case of overheating. An optional built-in thermostat for temperature control will have a range from 40°- 95°F and be of the high accuracy capillary tube-type. Optional disconnect switches in junctionbox will be provided if necessary.

**Cabinet Colors:** Epoxy powder coated in pearl white, white dove, almondine, satin nickel & oiled bronze.

**Approvals:** cULus

## High Mass Ceramic Element

