

Balancing Valve | RecircSetter™



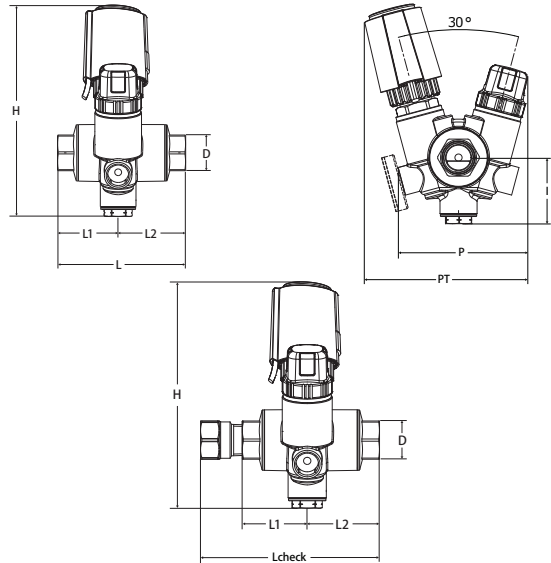
**Thermostatic Balancing • Variable Set Point • Actuated
Disinfection with Optional Check Valve • 150 CWP**



TB-150G with Actuator



**TB-150G with Actuator
and optional check valve**



Dimensions

TB-150G with Actuator	Part No.	D	L	L _{check}	L1	L2	H	I	P	PT
FxF	180-103G-A	1/2"	3.66	-	1.73	1.93	6.06	1.81	3.58	4.49
FxF	180-104G-A	3/4"	3.9	-	1.85	2.05	6.06	1.81	3.58	4.49
FxF	180-103G-A-C	1/2"	-	4.8	1.73	1.93	6.06	1.81	3.58	4.49
FxF	180-104G-A-C	3/4"	-	5.43	1.85	2.05	6.06	1.81	3.58	4.49

Features

- Variable temperature set point with protective cap
- Modulates flow to maintain constant temperature in the recirculation loop
- No balancing equipment required
- Heat treated DZR alloy
- 100% Made in Italy
- Drywell with temperature gauge comes standard
- Available with check valve
- 1/2" NPT temperature port (factory plugged)
- Actuated disinfection axial valve for use with BMS

Approvals

- NSF 61 
- NSF 372
- Conforms to ANSI B1.20.1

Temperature and Pressure

- Max Working Pressure: 232 psi
- Max Differential Pressure: 14.5 psi
- Max Working Temperature: 194°F
- Temperature Setting Range: 95°F - 140°F
- C_{vmin}: 0.23
- C_{vmax}: 2.10
- C_{vdesign}: 0.53 - 0.59
- C_{vdisinf}: 1.16

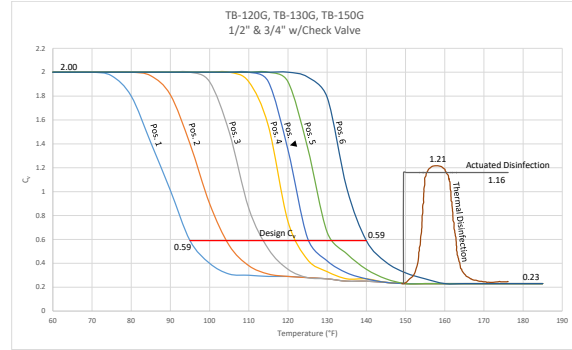
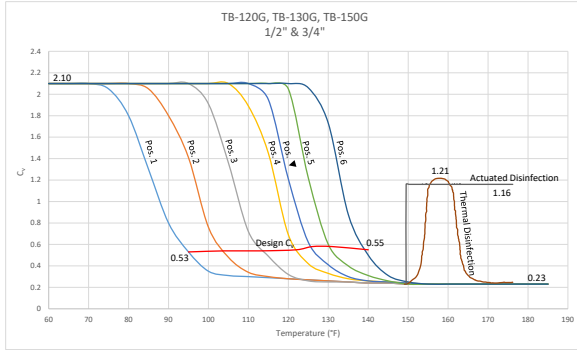


WARNING: This product can expose you to chemicals including lead, which is known to the State of California to cause cancer, birth defects or other reproductive harm. For more information go to www.P65Warnings.ca.gov.

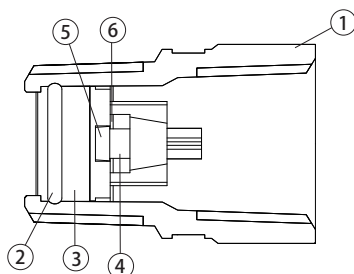
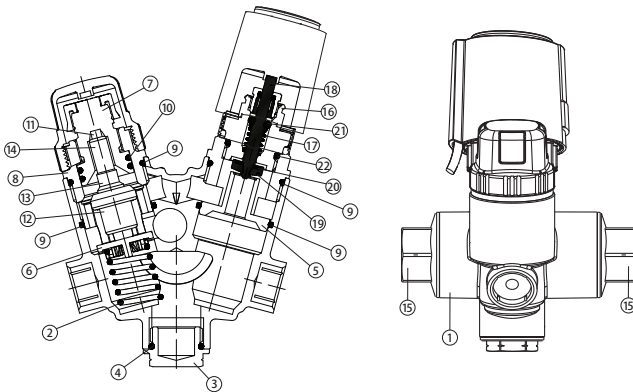
Balancing Valve | RecircSetter™



**Thermostatic Balancing • Variable Set Point • Actuated
Disinfection with Optional Check Valve • 150 CWP**



HAND WHEEL SETPOINT TEMPERATURE (°F)									
95°	100°	105°	110°	115°	120°	125°	130°	135°	140°
1	1.6	2.1	2.7	3.2	3.8	▼4.4	4.9	5.5	6



TB-150G Material Specifications

No.	Part	Material
1	Valve Body	LF DZR Brass C27453
2	Spring	Stainless Steel AISI 302
3	1/2" Plug	LF DZR Brass C27453
4	O-Ring	EPDM
5	Disinfection Cap	LF DZR Brass C27453
6	Piston	PSU
7	Stem	LF DZR Brass C27453
8	Stem Adapter	LF DZR Brass C27453
9	O-Ring	EPDM
10	O-Ring	EPDM
11	Cartridge Piston	Steel
12	Cartridge Cup	Brass C22000
13	Cartridge Guide	Brass C69300
14	Cartridge Sleeve	EPDM
15	End connection FNPT	LF DZR Brass C27453
16	Axial Valve Body	LF DZR Brass C27453
17	Shut-Off Spring	Stainless Steel AISI 302
18	Shut-Off Stem	Stainless Steel AISI 304
19	Shut-Off Gasket	EPDM
20	Shut-Off Metal Plate	Brass CW614N
21	O-Ring	EPDM
22	O-Ring	EPDM

TB-150G Check Valve (Optional)

No.	Part	Material
1	Body	LF DZR Brass C27453
2	Check O-Ring	EPDM
3	Check Body	GF Noryl
4	Spring	Stainless Steel AISI 301
5	Check Rod Plunger	GF Noryl
6	Check Lip Seal	EPDM