

# Balancing Valve | RecircSetter™



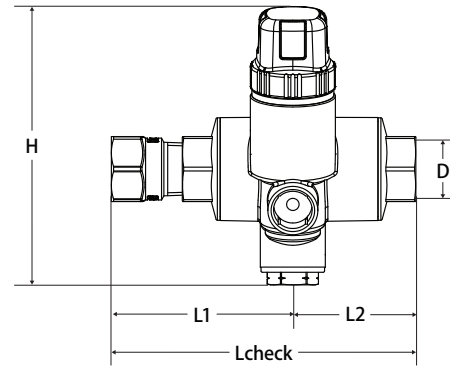
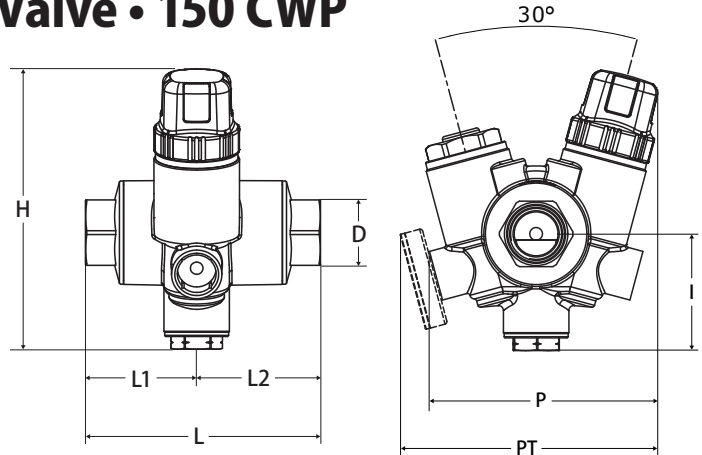
**Thermostatic Balancing • Variable Set Point • Thermal Disinfection with Optional Check Valve • 150 CWP**



**TB-130G**



**TB-130G**  
with optional check valve



## Features

- Variable temperature set point with protective cap
- Modulates flow to maintain constant temperature in the recirculation loop
- No balancing equipment required
- Heat treated DZR alloy
- 100% Made in Italy
- Drywell with temperature gauge comes standard
- Available with check valve
- 1/2" NPT temperature port (factory plugged)
- Thermal disinfection bypass (160°F)

## Approvals

- NSF 61
- NSF 372
- Conforms to ANSI B1.20.1

## Temperature and Pressure

- Max Working Pressure: 232 psi
- Max Differential Pressure: 14.5 psi
- Max Working Temperature: 194°F
- Temperature Setting Range: 95°F - 140°F
- $C_{vmin}$ : 0.23
- $C_{vmax}$ : 2.10
- $C_{vdesign}$ : 0.53 - 0.59
- $C_{vdisinf}$ : 1.21

## Dimensions

TB-130G	Part No.	D	L	$L_{check}$	L1	L2	H	I	P	PT
FxF	180-103G-D	1/2"	3.66	-	1.73	1.93	4.41	1.81	3.58	4.02
FxF	180-104G-D	3/4"	3.9	-	1.85	2.05	4.41	1.81	3.58	4.02
FxF	180-103G-D-C	1/2"	-	4.8	2.87	1.93	4.41	1.81	3.58	4.02
FxF	180-104G-D-C	3/4"	-	5.43	3.39	2.05	4.41	1.81	3.58	4.02

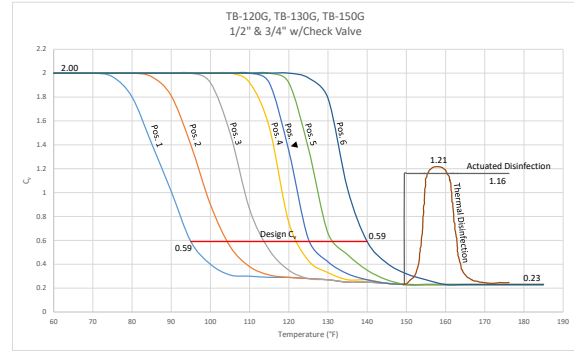
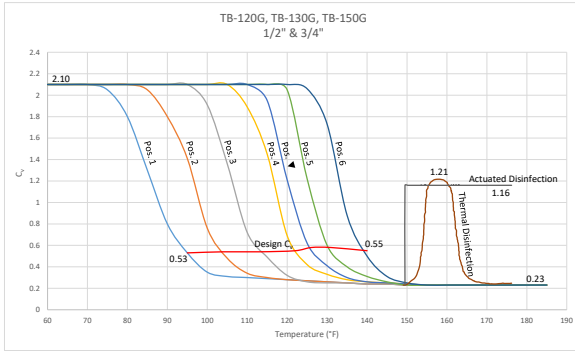


**WARNING:** This product can expose you to chemicals including lead, which is known to the State of California to cause cancer, birth defects or other reproductive harm. For more information go to [www.P65Warnings.ca.gov](http://www.P65Warnings.ca.gov).

# Balancing Valve | RecircSetter™



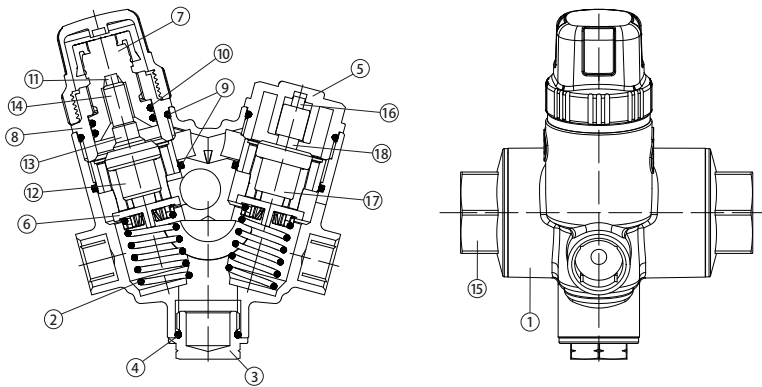
**Thermostatic Balancing • Variable Set Point • Thermal Disinfection with Optional Check Valve • 150 CWP**



HAND WHEEL SETPOINT TEMPERATURE (°F)									
95°	100°	105°	110°	115°	120°	125°	130°	135°	140°
1	1.6	2.1	2.7	3.2	3.8	▼4.4	4.9	5.5	6

## TB-130G Material Specifications

No.	Part	Material
1	Valve Body	LF DZR Brass C27453
2	Spring	Stainless Steel AISI 302
3	1/2" Plug	LF DZR Brass C27453
4	O-Ring	EPDM
5	Thermal Disinfection Cap	LF DZR Brass C27453
6	Piston	PSU
7	Stem	LF DZR Brass C27453
8	Stem Adapter	LF DZR Brass C27453
9	O-Ring	EPDM
10	O-Ring	EPDM
11	Cartridge Piston	Steel
12	Cartridge Cup	Brass C22000
13	Cartridge Guide	Brass C69300
14	Cartridge Sleeve	EPDM
15	End connection FNPT	LF DZR Brass C27453
16	Thermal Disinfection Piston	Steel
17	Thermal Disinfection Cup	Brass C22000
18	Thermal Disinfection Guide	Brass C69300



## TB-130G Check Valve (Optional)

No.	Part	Material
1	Body	LF DZR Brass C27453
2	Check O-Ring	EPDM
3	Check Body	GF Noryl
4	Spring	Stainless Steel AISI 301
5	Check Rod Plunger	GF Noryl
6	Check Lip Seal	EPDM

