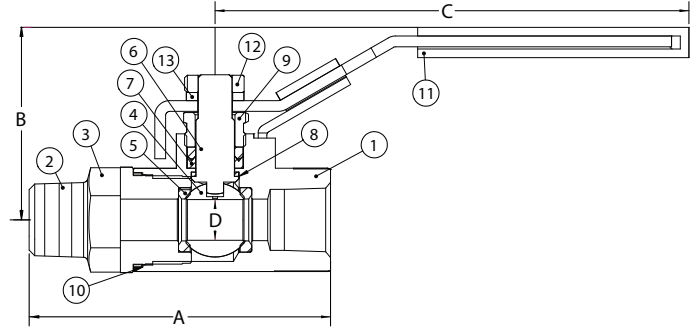


# Stainless Steel Ball Valve

2 Piece, Standard Port, MIP x FIP Connection, 2000 WOG

## T-SS-2000N-MF



### FEATURES

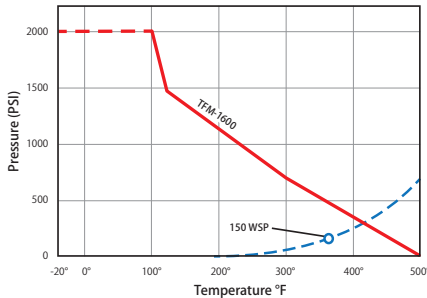
- Solid Ball Construction
- Latch Lock Handle May be Locked in Open or Closed Position
- 100% Leak Tested
- 29 in-Hg Vacuum Rating
- Wetted Surfaces Contain Less than .25% Lead Content

### CERTIFICATIONS/APPROVALS

- Conforms to API 598
- ANSI B1.20.1
- MSS SP-110
- NACE Certified
- Buy American Act Compliant

### VALVE SEAT RATING

2000 WOG - 150 WSP



### MATERIALS

No.	Part	Material
1	Body	CF8M Stainless Steel
2	End Connection	CF8M Stainless Steel
3	Body Cap	CF8M Stainless Steel
4	Ball	CF8M Stainless Steel
5	Seat (2)	Hostaflon® TFM 1600
6	Stem	316 Stainless Steel
7	Packing (2)	RPTFE
8	Stem Seal	Hostaflon® TFM 1600
9	Packing Gland	316 Stainless Steel
10	Body Seal	Hostaflon® TFM 1600
11	Handle	304 Stainless Steel
12	Handle Nut	304 Stainless Steel
13	Lock Washer	304 Stainless Steel

### DIMENSIONS

Part No	Size	A	B	C	D	Torque
101-931	1/4"	2.76	1.75	4.3	0.38	35
101-933	1/2"	3.15	1.94	4.3	0.49	65
101-934	3/4"	3.74	2.21	5.9	0.59	100
101-935	1"	4.25	2.49	5.9	0.79	120