

Plumbing • Heating • Gas • Industrial • Actuation • Hydraulics



TS-100CSSG

Dezincification Brass Ball Valve with Stainless Steel Trim

- NSF 61 / NSF 372 Certified
- 100% Made in Italy
- 100% Tested
- Triple Stem Seal Lifetime Warranty
- Dezincification Resistant Brass Alloy
- Stainless Steel Trim
- FKM O-rings and 2nd Generation PTFE Seal
- Blow-out Proof Stem



www.jomarvalve.com

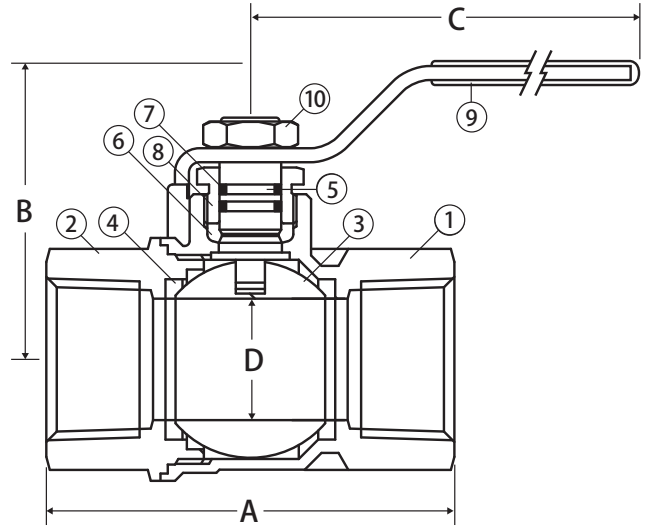
Lead Free Brass Ball Valve



2 Piece • Full Port • Threaded Connection • Stainless Steel Trim • 600 WOG



T-100CSSG



Features

- Dezincification resistant brass alloy
- Stainless steel trim
- Triple sealing stem with 2 FKM o-rings and 2nd Generation PTFE seal
- Blow-out proof stem
- 100% leak tested
- 100% Made in Italy
- Leakproof stem - Lifetime Warranty
- 29 in-Hg vacuum rating
- Wetted surfaces contain less than .25% lead content

Approvals

- UL Listed (1/2" - 2")
 - VQGU - Trim & drain (US only)
 - MHKZ - Manual valves
 - YQNZ - Compressed gas shut-off valves
 - YRBX - Flammable liquid shut-off valves
 - YRPV - Gas shut-off valves
 - YSDT - LP gas shut-off valves
 - SFJQ - Valves, refrigerant
- NSF 372
- NSF 61-8
- NSF 61 - Annex G
- CSA Certified
 - ANSI Z21.15 (.5 PSIG)
 - ASME B16.44 (5 PSIG)
 - CGA CR91 (5 PSIG)
- ANSI B1.20.1

Material Specifications

No.	Part	Materials
1	Body	Lead Free Brass - CW511L
2	End Connection	Lead Free Brass - CW511L
3	Ball	316 Stainless Steel
4	Seat (2)	PTFE G300
5	Stem	316 Stainless Steel
6	Packing	PTFE G300
7	Stem O-ring (2)	FKM
8	Packing Gland	Brass - CW614N
9	Handle	Steel - Geomet® Plated
10	Handle Nut	Steel - Geomet® Plated

Dimensions

Part No.	Size	A	B	C	D	Cv
100-403SSG	1/2"	2.00	1.53	2.95	0.59	16.82
100-404SSG	3/4"	2.34	1.95	3.74	0.79	34.80
100-405SSG	1"	2.67	2.40	4.75	0.97	52.20
100-406SSG	1-1/4"	3.22	2.59	4.75	1.23	112.52
100-407SSG	1-1/2"	2.68	3.22	6.00	1.49	174.00
100-408SSG	2"	4.29	3.40	6.00	1.99	255.20

Valve Seat Rating

