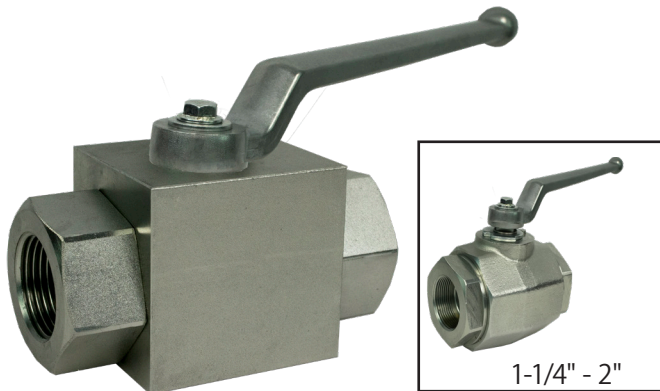


Carbon Steel Ball Valve



3 Piece • Full Port • Threaded Connection • 7250 WOG



T-CS-4000

Features

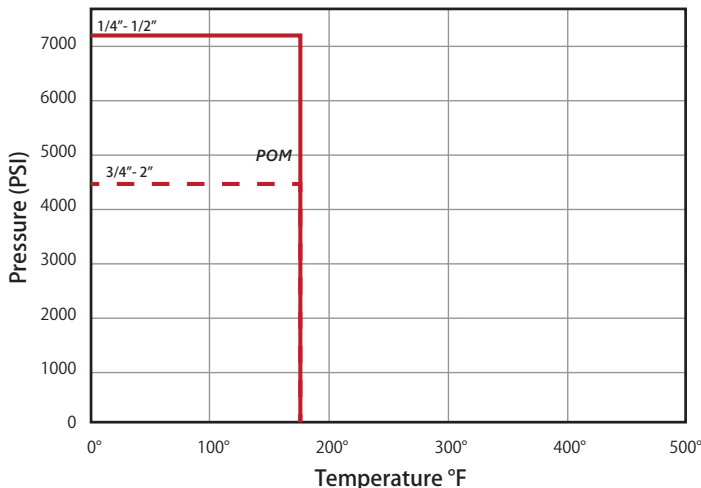
- Body pressure ratings:
 - 1/4" - 1/2": 7250 PSI
 - 3/4" - 2": 4550 PSI
- Safety Factor: 2 to 1
- Pom Ball Seats
- Viton Stem Seal
- Lockable handle
- Sizes 1/4" - 1": One Block Body Design
- Sizes 1-1/4" - 2": Rounded Body Design
- 100% Leak Tested
- NPT Female Thread to ANSI B1.20.1
- Wetted Surfaces Contain Less than .25% Lead Content

Approvals

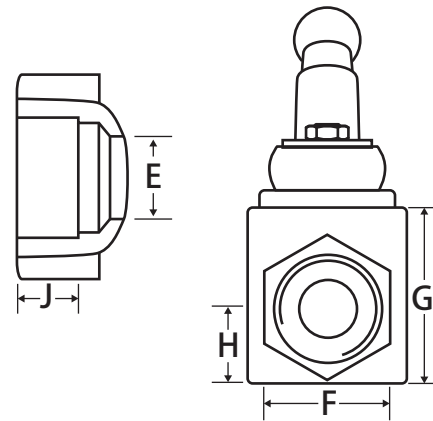
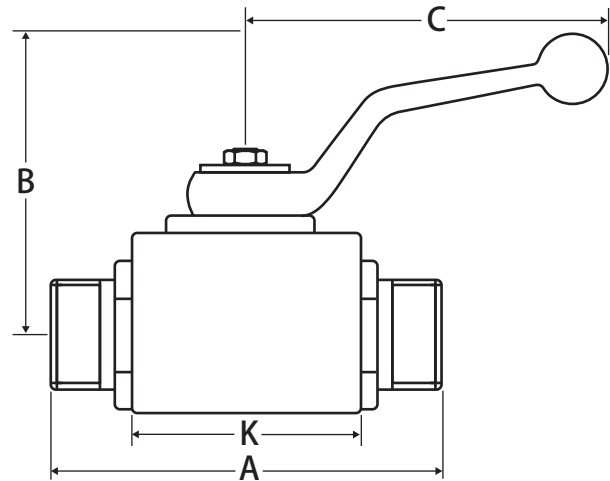
- MSS SP-110

Valve Seat Rating

7250 WOG, Temperature rating: 14°F to 176°F



WARNING: This product can expose you to chemicals including nickel, which is known to the State of California to cause cancer. For more information go to www.P65Warnings.ca.gov.



Material Specifications

Part	Materials
Body	Carbon Steel
Ball	Chrome Plated Carbon Steel
Seat (2)	POM
Seat O-Ring (2)	FMP
Stem	Carbon Steel
Stem Seal	POM
Stem O-Ring	FMP
Travel Stop	Carbon Steel
Stopping Plate	Carbon Steel
Handle	Casted Zinc
Screw	Carbon Steel

Dimensions

Part No.	Size	A	B	C	E	F	G	H	J	K
100-941	1/4"	1.57	3.30	4.41	0.24	1.02	1.30	0.53	0.55	1.57
100-942	3/8"	1.65	3.42	4.41	0.39	1.26	1.42	0.63	0.55	1.65
100-943	1/2"	1.89	3.57	4.41	0.47	1.38	1.57	0.67	0.63	1.89
100-944	3/4"	2.36	4.27	6.10	0.79	1.89	2.17	0.98	0.71	2.36
100-945	1"	2.56	4.62	6.10	0.98	2.24	2.52	1.12	0.83	2.56
100-946	1-1/4"	2.95	5.45	9.25	1.26	2.60	2.95	1.30	0.87	2.95
100-947	1-1/2"	3.58	5.96	9.25	1.50	3.15	3.46	1.57	0.94	3.58
100-948	2"	3.94	6.59	9.25	1.89	3.78	4.09	1.89	1.02	4.33